



Manufacturers & Distributors of  
Locks, Handles, Hinges, Gas Springs & Accessories



**PRODUCT CATALOGUE**

**2020**



Your

**One Stop Shop**

For Locks, Handles, Hinges, Gas Springs & Accessories



### MUCH MORE THAN JUST LOCKS AND HINGES

FA Parkes stands for reliance, quality and innovation; with over 40 years supplying the enclosure industry, motor body builders and a wide variety of businesses with hardware solutions we have the knowledge and expertise to ensure that our customers receive the level of support expected today.



Constant investment in technology for both business operations and products has seen us grow and adapt to the changing world we live in.

We are the UK's leading stockist for Locks, Handles, Hinges, Gas Springs and accessories, with products from major vendors such as Accuride, Lowe & Fletcher, DIRAK, EMKA, Weston Body Hardware, PINET and Stabilus.



We aim to have the right products available for immediate delivery and our comprehensive warehouse is managed using the best B2B software available. This along with our dedicated team of administrators and we can assure our customers the best supply continuity.

Being one of the longest standing hardware suppliers in the industry counts for a lot and the collective skill and experience of our team further cements our position as the UK's leading stockist and your *One-Stop-Shop!*



### OUR PROMISE

With thousands of products readily in stock in our on-site warehouses, we aim to supply a wide range of products suitable for industries that require locks, hinges, seals, catches, etc at the best price and on time.

### COMPANY HISTORY

FA Parkes is a long standing family business, with roots dating back to 1971 and continues to go from strength to strength proudly serving its customers for almost half a century.

From it's origins with the company's namesake and founder, Frederick Albert (FA) Parkes to the current Managing Director, Philip Barrow, FA Parkes continues to maintain the high standards its customers have come to expect and endeavors to continue raising the bar throughout generations.

1970's

1971 Incorporated by Frederick Albert Parkes. His son, Michael, joins as Production Engineer.

1972 Dorothy (wife of Frederick) and Christine (wife of Michael) also join the company.

1980's

1981 Thomas Barrow (formerly of Wilmot Breedon) joins the company as Director.

1982 Frederick and Dorothy Parkes retire. Georgina Barrow joins as Accounts Manager.

1990's

1991 Thomas's son, Philip Barrow joins as Production Engineer.

1997 Michael Parkes, Thomas and Georgina Barrow retire from the company.

Philip Barrow takes over as Managing Director while his sister Janet Nolf becomes Company Secretary.

Philip and Janet, along with their brother Ian Barrow, become shareholders.

2000's

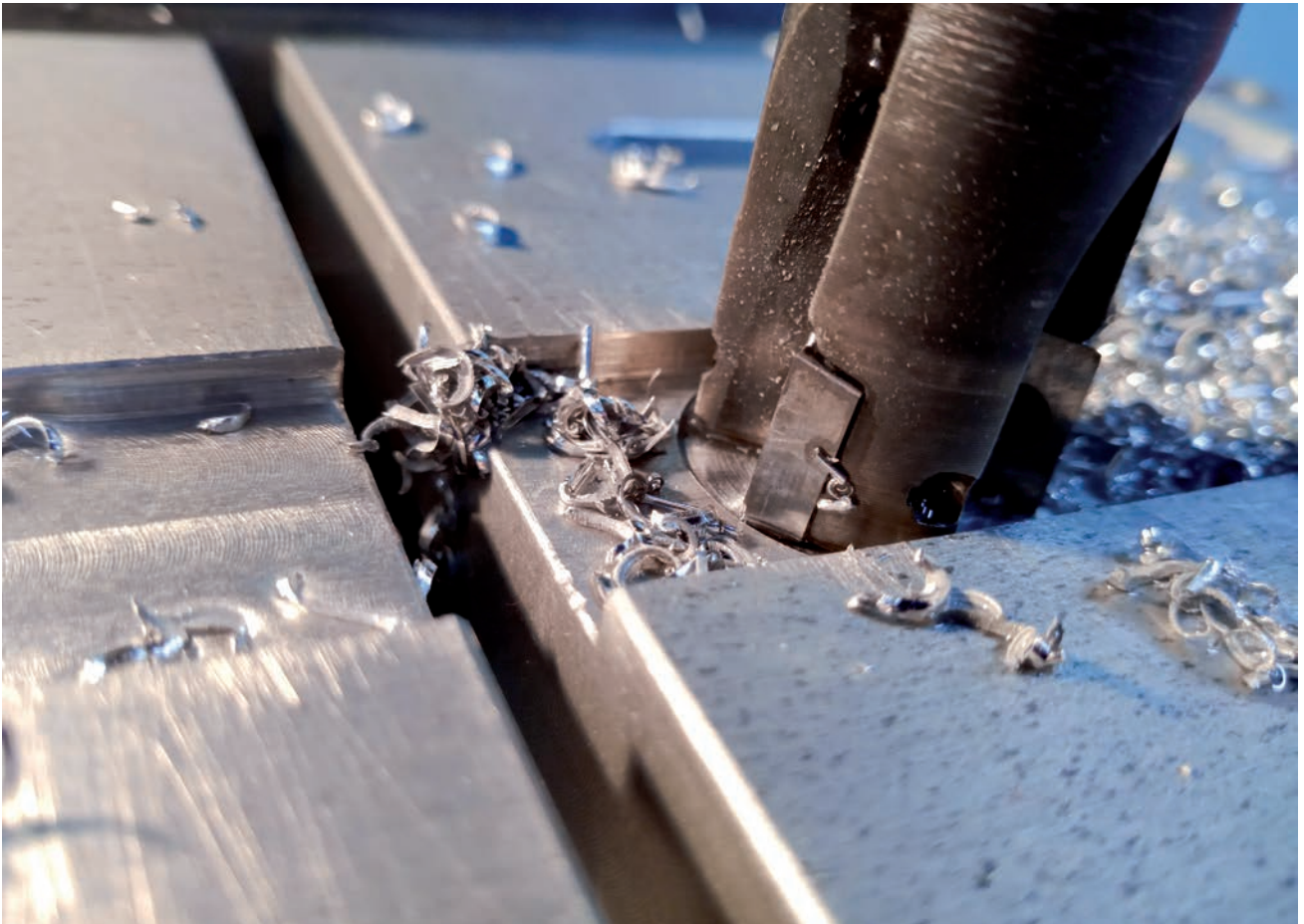
2000 FA Parkes E-commerce system is introduced revolutionising the company's ordering process.

2006 Janet Nolf takes over as Accounts Manager.

1999 FA Parkes moves from the Old Mill in Tyldesley to larger premises in Leigh, Lancashire.

2010's

FA Parkes continues to grow, expanding its premises to include two more warehousing units and additional office spaces.



## Engineering Capabilities



**FA Parkes** has been designing and manufacturing its own products for specific and niche markets for almost 50 years and offers full design and modification services for most applications using the products we sell.

Our lean manufacturing facility can provide rapid set up and changeover to suit a wide range of manufacturing and assembly requirements at competitive rates.

Our workshop is fitted with both machining and assembly facilities, enabling it to provide extremely cost effective solutions from one-off prototypes to

high volume production, while the assembly areas are quickly configured to new activities on demand with output scalable upon request.

The Machine shop features fully automatic CNC machining centres capable of running 'lights out', providing 24/7 production of machined parts for the most demanding needs.

To get a quote or find out more information about our Manufacturing and Bespoke services, call us on 01942 681 996 or email [sales@faparkes.co.uk](mailto:sales@faparkes.co.uk).



## MASTERS OF INDUSTRY...



FA Parkes' heritage runs deep, with industry knowledge and expertise dating back over 50 years to the Wilmot Breeden days where industry parts were manufactured and supplied to the UK automotive market and engineering sectors. Over the years we have enjoyed bilateral trading with our business partners such as Weston Body Hardware, Lowe & Fletcher, Stabilus, EMKA, Pinet and Dirak.

## AEROSPACE

FA Parkes is committed to providing the highest quality products to the Aerospace industry. Products ranging from gas struts and dampers facilitating the safe opening and closing of overhead luggage compartments, handles and slam catches for ancillary equipment, and aluminium and polymer durable lightweight hinges for instrument panels.



## AGRICULTURE & CONSTRUCTION

We have been supplying the agriculture and construction industries for almost 50 years. Our vast experience within this sector means we can offer the best advice for a selection of door handles, gas springs, hinges, fasteners and cab components for tractors, combine harvesters and other associated plant equipment.

## ELECTRICAL ENCLOSURES

We supply enclosures and electrical enclosures with lock handles, hinges, rubber seals and gas struts manufactured for switchgear cabinets, control cabinets, industrial enclosures, switchboard housings and distribution cabinets. We have products with clear visual indicators for locking status, with increased security which saves time for fast verification/confirmation checks.



## FABRICATION & SHEET METAL

As fabrication and sheet metal engineers are likely to produce for OEM's, FA Parkes can advise and supply most products to suit their customers' requirements. We are well poised to be their **One-Stop-Shop** for all locks, handles, hinges gas springs, drawer slides, rubber seals and gaskets.

## HVAC

We are the market leader in providing specialised hardware with products verified according to RLT-guidelines, VDI 6022 standards for heating, ventilation, air condition cooling, refrigeration, air treatment and filter technology equipment.



## MEDICAL/FOOD

With solutions precisely designed to meet the fundamental principles of hygienic design that adhere to the strict requirements and regulations of the food processing, medical, brewing and beverage industries we have products that contain specific properties and standards of DGUV test certificate NV 13090. These products have sophisticated geometric shapes and high quality polished Stainless Steel surfaces which prevent contaminant build up and are designed for the prevention of bacterial contamination which are resistant to acid-based and alkaline-based cleaning agents.



## POWER GENERATION

In an increasingly demanding world, power generation has never been more critical. We provide solutions for solar energy, giant turbines and portable generators that incorporate field proven locks, handles, hinges, gas struts, rubber gasketing, latches and catches; produce with anti-corrosives materials and to an array of IP standards.



## TRANSPORTATION

We provide solutions for special vehicles' applications, vehicle bodies, RV's, caravans, construction machines, excavators, cranes, horse trailers and coaches/buses, with products verified to EN 61373 shock and vibration approved and EN 45545 for fire protection of railway vehicles.





# Get in touch

Whether you have questions about a product or would like to arrange a visit to tour our warehousing and engineering facilities, you can call, fax or email us.

To place an order, please visit our website or contact our sales team.



+44 (0) 1942 681 996



+44 (0) 1942 681 997



[faparkes.co.uk](http://faparkes.co.uk)



[sales@faparkes.co.uk](mailto:sales@faparkes.co.uk)

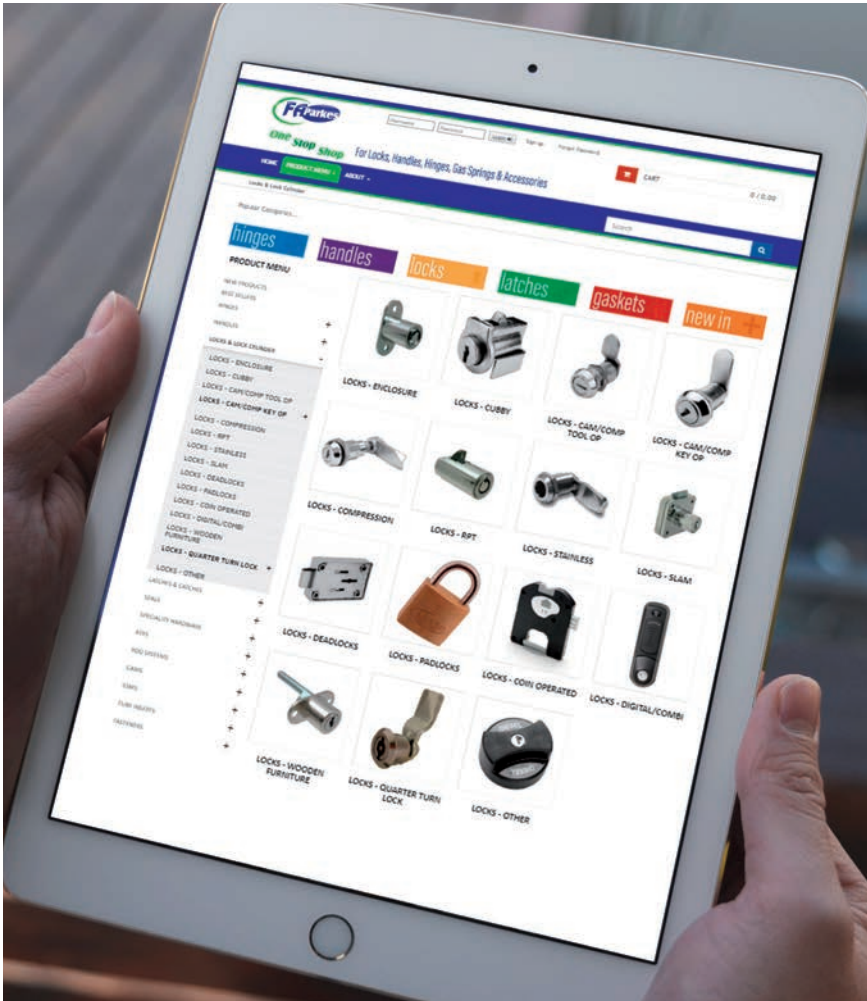


**F.A.PARKES (MOTOR BODY FITTINGS) LIMITED**  
Unit 4, Acorn Court  
Butts Street,  
Leigh, Lancashire, UK  
WN7 3AE



delivers all around the world, to more than 22 countries, directly from our headquarters in the UK.





**faparkes.co.uk**

- Search by keyword or part number
- Browse by part type
- Product datasheet downloads
- No sign up required!



Thousands of products available to buy online



Reliable international delivery service



The UK's leading stockist of locks, handles, hinges gas springs & accessories

Shopping with FA Parkes has never been easier!

Simply go to our website where you can place orders, browse through thousands of products, check stock levels and download product datasheets from any device.



**...and now you can follow us on social media**



Stay up to date with all the latest news, product updates, special offers and information from us. Find us @FAParkes.



# QUICK-FIND GUIDE

**HINGES**

Pages 11 - 23

- 1. pg.12
- 2. pg.12
- 3. pg.13
- 4. pg.13
- 5. pg.14
- 6. pg.14
- 7. pg.15
- 8. pg.15
- 9. pg.16
- 10. pg.17
- 11. pg.18
- 12. pg.19 *Metric*
- 13. pg.20 *Imperial*

**HANDLES**

Pages 25 - 35

- 14. pg.26
- 15. pg.26
- 16. pg.27
- 17. pg.28
- 18. pg.28
- 19. pg.29
- 20. pg.29
- 21. pg.30
- 22. pg.32
- 23. pg.33
- 24. pg.34
- 25. pg.34
- 26. pg.35

**LOCKS**

Pages 37 - 51

- 27. pg.38
- 28. pg.44
- 29. pg.44
- 30. pg.45
- 31. pg.46
- 32. pg.47
- 33. pg.47
- 34. pg.47
- 35. pg.48
- 36. pg.48
- 37. pg.49
- 38. pg.49
- 39. pg.50

**LATCHES & CATCHES**

Pages 55 - 69

- 40. pg.56
- 41. pg.59
- 42. pg.64
- 43. pg.64
- 44. pg.65
- 45. pg.65
- 46. pg.65
- 47. pg.66
- 48. pg.66
- 49. pg.66
- 50. pg.67
- 51. pg.68
- 52. pg.69
- 53. pg.69

**GASKETS**

Pages 71 - 73

- 54. pg.72
- 55. pg.73
- 56. pg.73

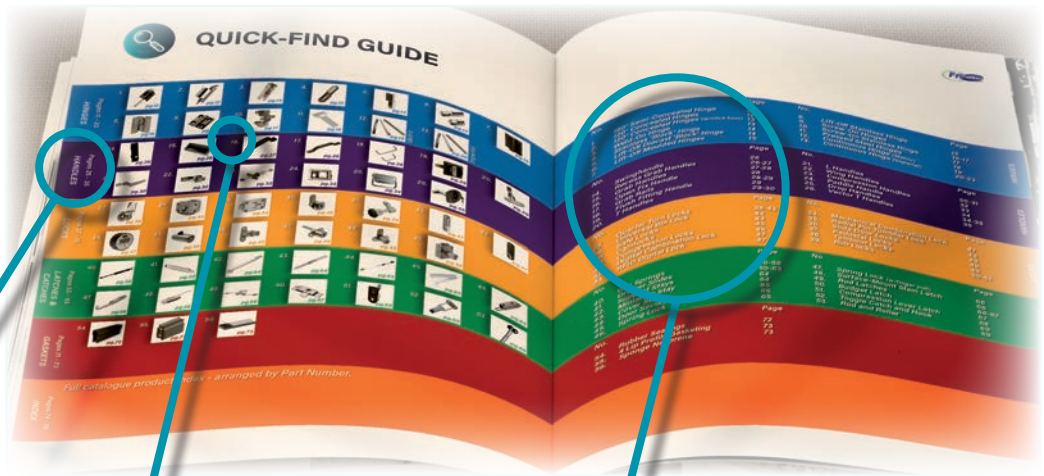
**INDEX**

Pages 74 - 76

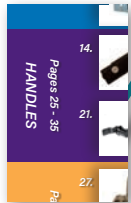
Full catalogue product Index - arranged by Part Number.



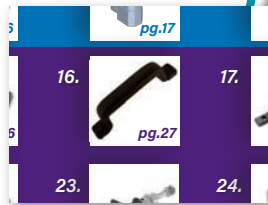
No.	Page	No.	Page			
1.	180° Semi-Concealed Hinge	12	8.	Lift-Off Stainless Hinge	15	HINGES
2.	120° Concealed Hinges	12	9.	Screw-On Hinges	16-17	
3.	120° Concealed Hinges (w/click func)	13	10.	Screw-On Stainless Hinge	17	
4.	Weld-On Hinge	13	11.	Pressed Steel Hinges	18	
5.	Stainless 'Block' Hinge	14	12.	Continuous Hinge (Metric)	19	
6.	Lift-Off Diecast 'Block' Hinge	14	13.	Continuous Hinge (Imperial)	20-23	
7.	Lift-Off Moulded Hinges	15				
No.	Page	No.	Page			
14.	Swinghandle	26	21.	L Handles	30-31	HANDLES
15.	Recess Grab Handles	26-27	22.	Wing Handles	32	
16.	Grab Handles	27-28	23.	Compression Handles	33	
17.	Open Fix Handle	28	24.	Paddle Handle	34	
18.	Grab Rails	28-29	25.	Drop Handles	34-35	
19.	Flush Fitting Handle	29	26.	Vector T Handles	35	
20.	T Handles	29-30				
No.	Page	No.	Page			
27.	Quarter Turn Locks	38-43	34.	Mechanical Combination Lock	47	LOCKS
28.	Universal Bin Lock	44	35.	Radial Pin Tumbler Lock	48	
29.	Safe Locks	44	36.	Slide Door Locks	48	
30.	Camlocks	45	37.	Pedestal Locks	49	
31.	Compression Locks	46	38.	Tambour Locks	49	
32.	Digital Combination Lock	47	39.	Rim Locks	50-51	
33.	RFID Digital Lock	47				
No.	Page	No.	Page			
40.	Gas Springs	56-58	47.	Spring Lock (w/finger pull)	66	LATCHES & CATCHES
41.	Drawer Slides	59-63	48.	Surface-Mount Slam Latch	66	
42.	Support Stays	64	49.	Rod Latches	66-67	
43.	Miniature Stay	64	50.	Budget Latch	67	
44.	Cover Stay	65	51.	Compression Lever Latch	68	
45.	Door Securing	65	52.	Toggle Catch and Hook	69	
46.	Spring Lock	65	53.	Rod and Roller	69	
No.	Page					
54.	Rubber Sealings	72			GASKETS	
55.	4 Lip Profile Gasketing	73				
56.	Sponge Neoprene	73				



1. Category Tab

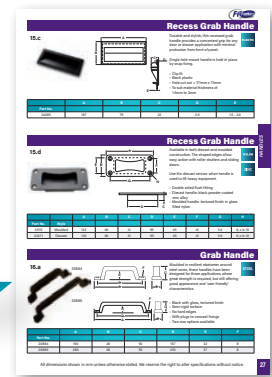


2. Catalogue Position



3. Product description /page number

No.	Page	No.
7.	Lift-Off Moulded Hinges	15
14.	Swinghandle	26
15.	Recess Grab Handles	22-27
16.	Grab Handles	27-28
17.	Swivel Handle	20
18.	Grab Rails	28-29
19.	Flush Fitting Handle	29
20.	T Handles	29-30
No.	Page	No.



### FEATURES ICON KEY

- Lift-Off Hinge
- External Hinge
- Concealed Hinge
- Semi-Concealed Hinge
- Continuous Hinge
- Padlockable
- Maximum Load Rating
- RoHS Compliant
- Left/Right Hand
- Opening/Turning Angle
- Weld-On
- Screw-On
- Weld-On or Screw-On
- No. Combinations
- No. Dynamic Cycles Tested

Materials / Finishes

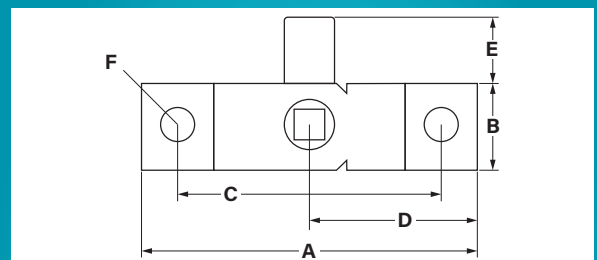
CHROME	NICKEL	NYLON	POLYPROPYLENE	PLASTIC
RUBBER	STEEL	MILD STEEL	STAINLESS STEEL	ZINC



### TECHNICAL DRAWINGS

Easy to follow technical drawings and table system.

All dimensions shown are given in mm unless otherwise stated.



Part No.	A	B	C	D	E	F
21357	85	22	66	38	18	7
20643	85	22	66	38	18	7

**PLEASE NOTE:** Drawings are for reference only and may not be to scale. Specifications are subject to change without notice. E&OE.

For the latest product information, please check our website or contact us quoting the relevant part number.

Terms and Conditions apply. See our website for details.



**180° Semi-Concealed Hinge**



Page 12

**120° Concealed Hinges**



Page 12

**120° Concealed Hinge (with click function)**



Page 13

**Weld-On Hinge**



Page 13

**Stainless 'Block' Hinge**



Page 14

**Lift-Off Diecast 'Block' Hinge**



Page 14

**Lift-Off Moulded Hinges**



Page 15

**Lift-Off Stainless Hinge**



Page 15

**Screw-On Hinges**



Page 16-17

**Screw-On Stainless Hinge**



Page 17

**Pressed Steel Hinges**



Page 18

**Continuous Hinge (Metric)**



Page 19

**Continuous Hinge (Imperial)**

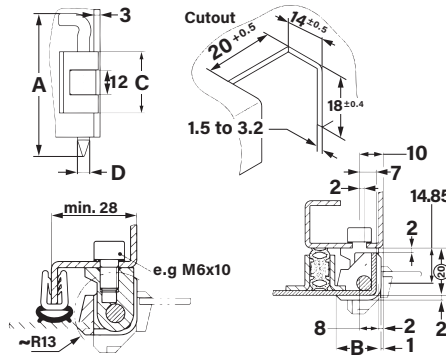


Page 20-23

Ready to order? Buy from us direct at [faparkes.co.uk](http://faparkes.co.uk) or call us on +44 (0)1942 681 996.

# 180° Semi-Concealed Hinge

1.



180° Semi-Concealed hinge with zinc die and mild steel pin.

Suitable for surface mounted doors for single cabinets.

Available in black or chrome plated.

- Semi-Concealed hinge
- Opening angle: 180°
- LH / RH

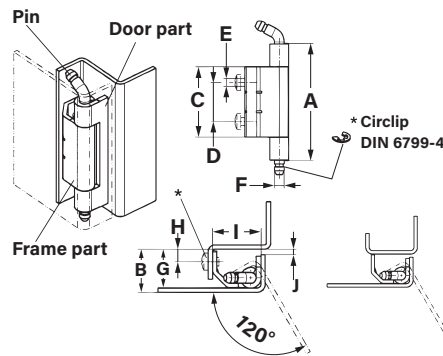


HINGES

Part No.	Finish	A	B	C	D
28115	Chrome	70	19	30	Ø6
28118	Black	70	19	30	Ø6

# 120° Concealed Hinge

2.a



120° Concealed Hinge for 20mm door return.

Weld-on part m.s. raw or AISI 304

Various options available. See table for details.

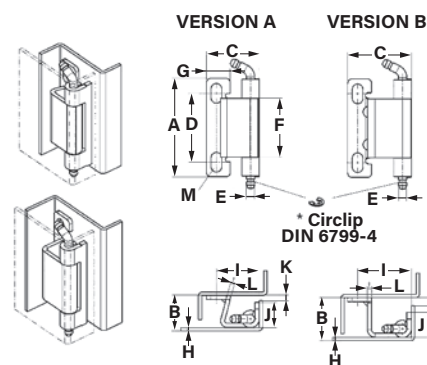
- Concealed hinge
- Mild steel or stainless steel
- Opening angle: 120°
- LH / RH



Part No.	Style	Material	A	B	C	D	E	F	G	H	I	J
20549	Screw-On	Mild steel	60	20	36	20	M4	Ø5	18	5.8	22.5	>2.5
20550	Weld-On (not threaded)	Mild steel	60	20	36	20	M4	Ø5	18	5.8	22.5	>2.5
20551	Weld-On (threaded)	Stainless steel	60	20	36	20	M4	Ø5	18	5.8	22.5	>2.5
20552	Screw-On	Stainless steel	60	20	36	20	M4	Ø5	18	5.8	22.5	>2.5

# 120° Concealed Hinge

2.b



120° Concealed Hinge for 22mm or 12mm door return.

Weld-on part m.s. raw or AISI 304

Various options available. See table for details.

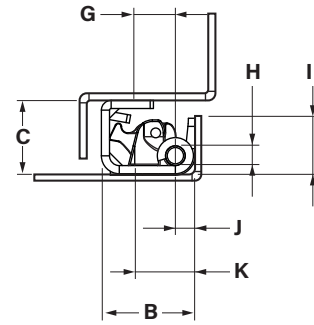
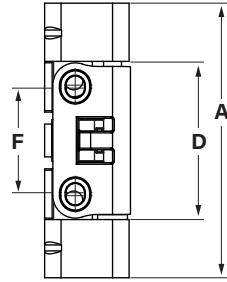
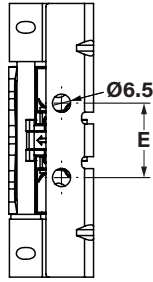
- Concealed hinge
- Mild steel or stainless steel
- Opening angle: 120°
- LH / RH



Part No.	Style	Material	A	B	C	D	E	F	G	H	I	J	K	L	M
20456	Version A	Mild steel	60	22	32.5	42	Ø5	36	14.5	2	26	<16	>3	2.5	6.5 x 12
20457	Version A	Stainless steel	60	22	32.5	42	Ø5	36	14.5	2	26	<16	>3	2.25	6.5 x 12
20453	Version B	Mild steel	60	26	39	42	Ø5	36	14.5	2	33	<16	2.5	2.5	6.5 x 12
20454	Version B	Stainless steel	60	26	39	42	Ø5	36	14.5	2	33	<16	5	2.25	6.5 x 12

# 120° Concealed Hinge (with click function)

3.



Standard design: Frame part: Steel, zinc plated. Pin: Stainless steel (304). Washer: Brass. Door part: Zinc die-cast, zinc plated.

Highlander design: Frame part and pin: Stainless steel (304). Washer: Brass. Door part: Zinc die-cast, special surface treatment \*.

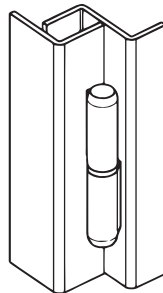
\*30 day salt-spray test according to ISO 9227, equivalent to ASTM B 117.

- For surface mounted doors for single cabinets
- Concealed hinge
- Opening angle: 120°
- LH / RH

Part No.	Style	A	B	C	D	E	F	G	H	I	J	K
25686	Standard design	92	28.7	23	53	25	35	12	Ø6	18	6	16.7
25687	Highlander design	92	28.7	23	53	25	35	12	Ø6	18	6	16.7

# Weld-On Hinge

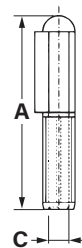
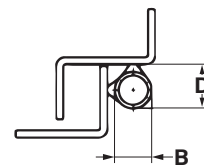
4.



Version:  
with captive pin



Version:  
with loose pin



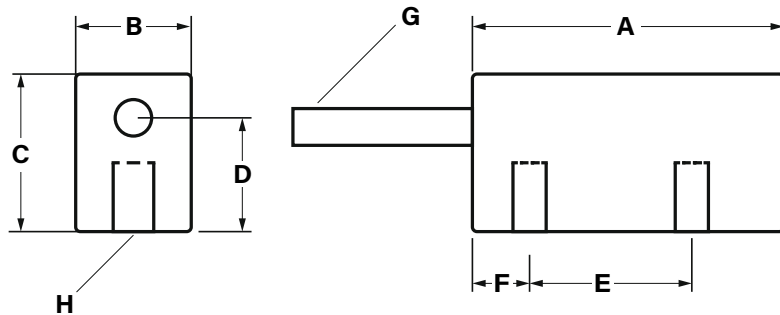
Mild steel, weld-on hinge with brass pin.

- Mild steel
- Lift-off style
- LH / RH

Part No.	A	B	C	D
21939	40	8	5	9.5
20459	50	8	5	9.5
20460	60	10	6	12.0
20461	70	10	7	12.0
20462	80	13	8	15.5
20464	100	16	10	20.0

# Stainless 'Block' Hinge

5.



STAINLESS STEEL



180°

These machined block hinges suit high-quality cabinets and enclosures, where stainless steel fittings are required.

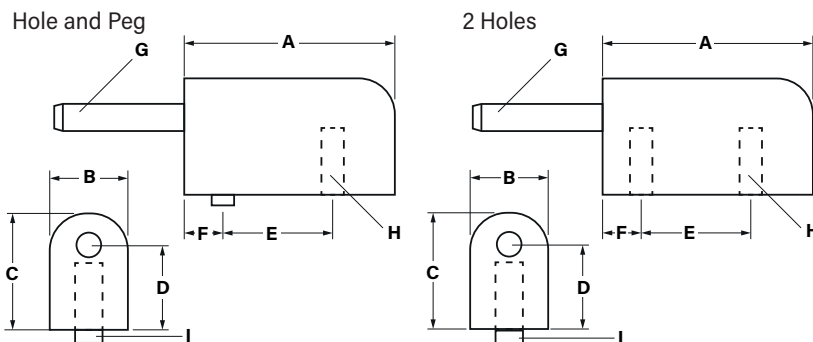
Available in small, medium and large sizes.

- For surface mounted doors for single cabinets
- External hinge
- Opening angle: 180°
- LH / RH

Part No.	Style	Hinge Size	A	B	C	D	E	F	G	H
21460	Hole and Peg	S - 60mm	32	13	16	9.5	17	8	6	6 x M5
21499	2 Holes	M - 76mm	38	13	19	13	19	9	6	7.5 x M6
23169	2 Holes	L - 100mm	50	18	29	20	25	13	8	13 x M8

# Lift-Off Diecast 'Block' Hinge

6.



180°

'Block' hinges are a neat, convenient method for hanging externally-fixed doors on metal cabinets, electrical enclosures, etc. Non-handed, the upper part simply sits onto a fixed steel pin. (Oppose hinges for when door is permanently fitted).

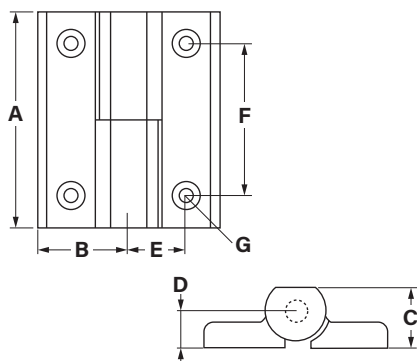
Available in small and medium sizes.

- Lift-Off style
- External hinge
- Opening angle: 180°
- LH / RH

Part No.	Style	Hinge Size	Finish	A	B	C	D	E	F	G	H	I
20077	Hole and Peg	S - 60mm	Chrome	30	13	14	7.5	16	8	6	6 x M5	3 x 6
20080	2 Holes	S - 60mm	Chrome	30	13	14	7.5	16	8	6	6 x M5	3 x 6
20092	2 Holes	M - 76mm	Chrome	38	17	19	11	19	9	6	7.5 x M6	3 x 6
20093	2 Holes	M - 76mm	Black	38	17	19	11	19	9	6	7.5 x M6	3 x 6

## Lift-Off Moulded Hinge

7.a



Developed as an alternative to the popular diecast torpedo hinge, this small design brings all the advantages of modern material, yet is more economical and fully interchangeable with the diecast models.

Left-hand and right-hand available.

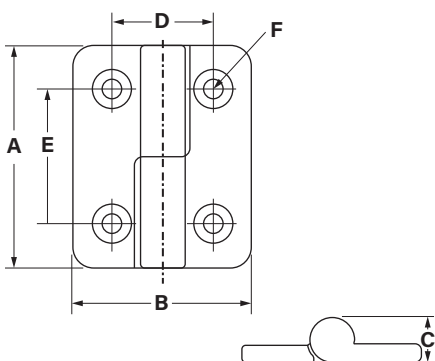
- Black finish
- External hinge
- Opening angle: fully forward 180°, backward to 45° from horizontal
- LH / RH



Part No.	LH/RH	A	B	C	D	E	F	G
21110	RH	74	30	20	12	18	51	5, cs 9
21111	LH	74	30	20	12	18	51	5, cs 9

## Lift-Off Moulded Hinge

7.b



These hinges have been specifically created to prevent dirt and debris entering between hinge halves and pin, causing stiffness and uneven action.

Load test results give maximum working loads of 10-87 kN (Axial) and 4-42 kN (Radial). Endurance tests are also available on request.

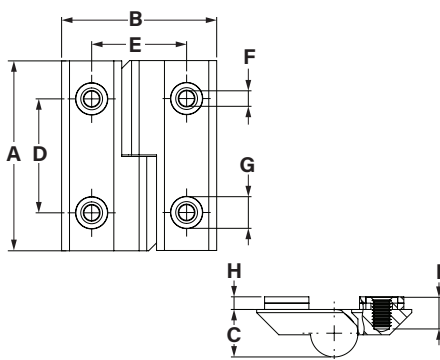
- Lift-Off style
- External hinge
- Opening angle: 180°
- LH / RH



Part No.	LH/RH	A	B	C	D	E	F
25682	RH	100	80	20	45	60	8.5, cs 18
25683	LH	100	80	20	45	60	8.5, cs 18

## Lift-Off Stainless Hinge

8.



Acid-proof stainless steel external lift-off hinge for flush mounted doors.

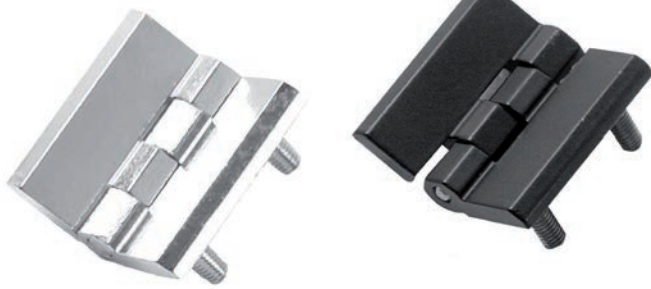
- Stainless steel
- Lift-Off style
- External hinge
- Opening angle: 180°
- LH / RH



Part No.	LH/RH	A	B	C	D	E	F	G	H	I
34628	RH	60	49	15	36	30	M6 (x4)	Ø10 (x4)	4	10
34629	LH	60	49	15	36	30	M6 (x4)	Ø10 (x4)	4	10

# Screw-On Hinge

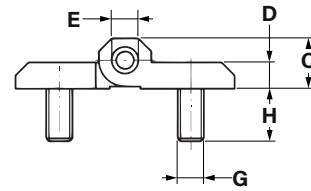
**9.a** Moulded version



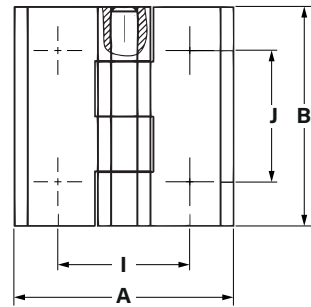
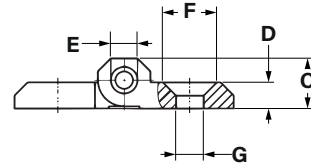
Countersunk version



Moulded version



Countersunk version



Screw-On hinges in zinc die with three different size options available.

These hinges come in either moulded or countersunk versions and include a stainless steel pivot pin.

- Black coated or chrome plated
- External hinge
- Screw-On
- Moulded version opening angle: 180°
- Countersunk version opening angle: 270°
- LH / RH

Part No.	Style	Finish	A	B	C	D	E	F	G	H	I	J
28417	Moulded	Chrome	40	40	9	5	Ø4	-	M5	12	25	25
28418	Moulded	Black	40	40	9	5	Ø4	-	M5	12	25	25
28419	Countersunk	Chrome	40	40	9	5	Ø4	10.2 x 90°	Ø5.3	-	25	25
25803	Countersunk	Black	40	40	9	5	Ø4	10.2 x 90°	Ø5.3	-	25	25
28420	Moulded	Chrome	50	50	11.5	6	Ø6	-	M6	12	30	30
28421	Moulded	Black	50	50	11.5	6	Ø6	-	M6	12	30	30
28422	Countersunk	Chrome	50	50	11.5	6	Ø6	12.4 x 90°	Ø6.3	-	30	30
24223	Countersunk	Black	50	50	11.5	6	Ø6	12.4 x 90°	Ø6.3	-	30	30
28431	Moulded	Chrome	60	60	15	8	Ø8	-	M8	14.5	36	36
28432	Moulded	Black	60	60	15	8	Ø8	-	M8	14.5	36	36
28433	Countersunk	Chrome	60	60	15	8	Ø8	16.5 x 90°	Ø8.4	-	36	36
28434	Countersunk	Black	60	60	15	8	Ø8	16.5 x 90°	Ø8.4	-	36	36

**STABILUS**

and



Your partners in gas spring control

**"Selected and configured to your requirements!"**

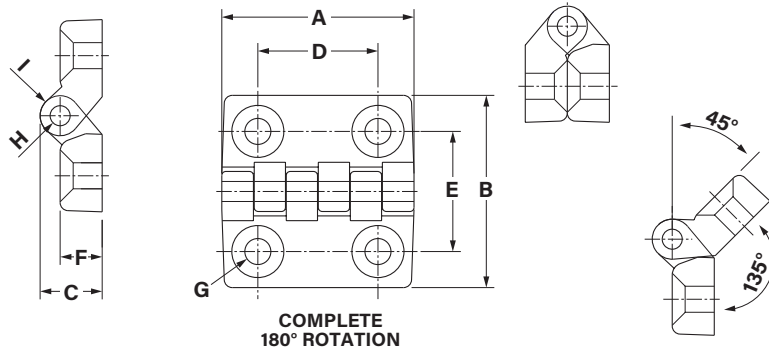
- Wide product range
- Application assistance
- Full design service
- Configurable
- Globally proven
- Competitive pricing
- Available from stock

See pages 56 - 58



# Screw-On Hinge

9.b



These screw-on hinges with through holes are moulded in black reinforced polyamide with a zinc plated steel pin. They are resistant to both oil and grease and provide 180° rotation.

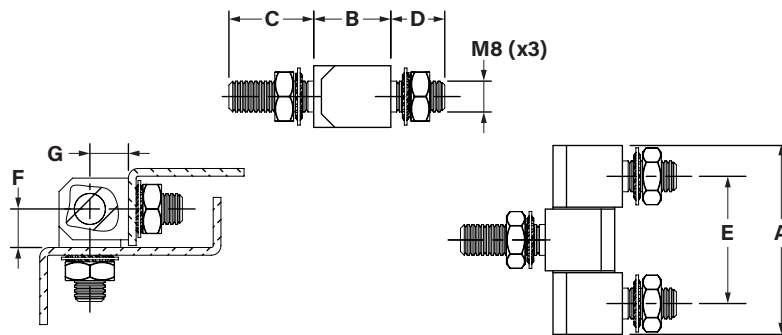
- Black reinforced polyamide
- External hinge
- Opening angle: 180°
- LH / RH

Two different sizes available.

Part No.	A	B	C	D	E	F	G	H	I
24652	48	48	15.5	30	30	10.5	6.5	5	10
23907	64	64	19	40	40	13	6.5	5	12

# Screw-On Stainless Hinge

10.



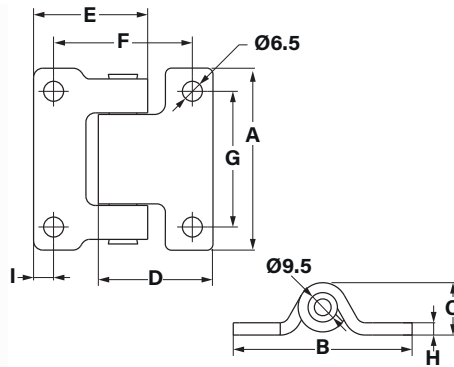
Screw-On hinge in stainless steel.

- Stainless steel
- External hinge
- Screw-On
- Opening angle: 180°
- LH / RH

Part No.	A	B	C	D	E	F	G
22295	49	20	22	14	33	10	10

# Pressed Steel Hinge - Small (60/4mm)

11.a



Small Pressed Stainless Steel Hinge - 60/4mm.

This hinge is designed for 180° applications but can rotate through 270°.

- 304 stainless steel
- Opening angle: 270°

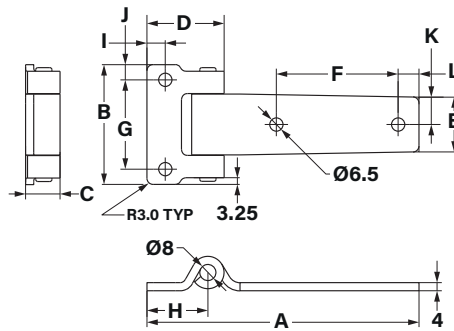


HINGES

	A	B	C	D	E	F	G	H	I
Part No.									
23036	59	58	17	37	37	45	44	4	6.5

# Pressed Steel Hinge - Small (135/4mm)

11.b



Small Pressed Stainless Steel Hinge - 135/4mm.

This hinge is designed for 180° applications but can rotate through 270°.

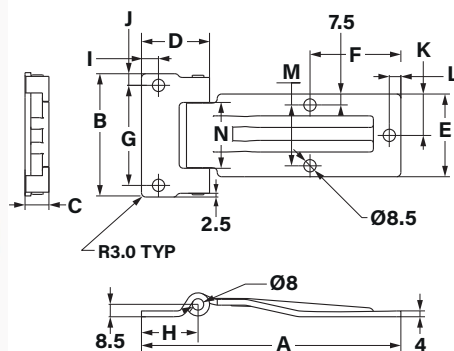
- Stainless steel
- Opening angle: 270°



	A	B	C	D	E	F	G	H	I	J	K	L
Part No.												
24648	134	59	17	38	27	60	44	30	9	7.5	13.5	10.25

# Pressed Steel Hinge - Medium (180/4mm)

11.c



Medium Pressed Stainless Steel Hinge - 180/4mm.

This hinge is designed for 180° applications but can rotate through 270°.

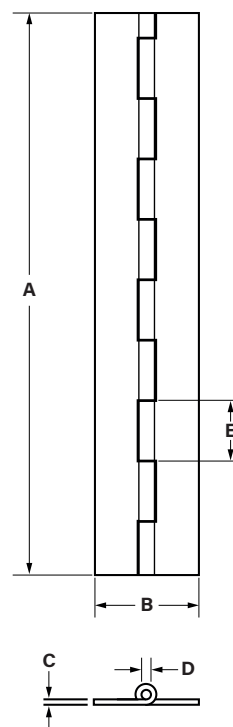
- 270° Opening
- Flat blades
- Mild steel or stainless steel versions available



Part No.	Material	A	B	C	D	E	F	G	H	I	J	K	L	M	N
24527	Mild steel	179	85	16.5	47	57	62.75	69	39	11.75	8	28.5	8	42	45.5
24649	Stainless steel	179	85	16.5	47	57	62.75	69	39	11.75	8	28.5	8	42	45.5

# Continuous Hinge - Stainless Steel (Metric)

12.



HINGES

Continuous hinges in stainless steel.

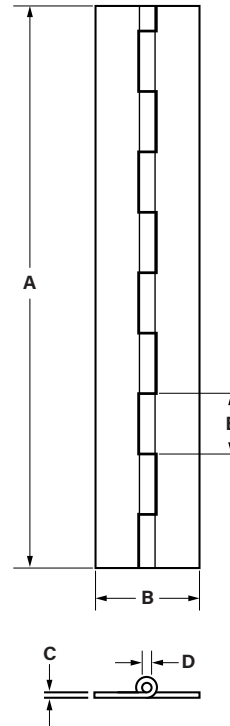
Suitable for use in many applications (medical, electronic enclosures, food equipment, transportation).

- Stainless steel 304
- Various specifications available
- LH / RH

Part No.	A Length	B Width (open)	C Thickness	D Pin	E KNC
24028	2040	20	0.8	2	15
23992	2040	25	1	2	15
24216	2040	30	1	2	15
23997	1800	30	1	2	15
24128	2000	30	1.5	4	30
24163	2040	30	1	2	15
31550	1800	32	1.2	3	30
24242	2040	40	1.5	4	15
31551	1800	40	1.2	3	30
24171	2000	40	1.2	3	20
31552	1800	50	1.2	3	30
31556	2040	50	1.2	3	30
24060	2000	50	2	4	25
24037	2160	57	1.5	4	15
24029	2040	60	2	6	30
24059	2040	60	2	6	30
24940	2000	80	3	6	40

# Continuous Hinge - Stainless Steel (Imperial)

13.a



HINGES

Continuous hinges in stainless steel.

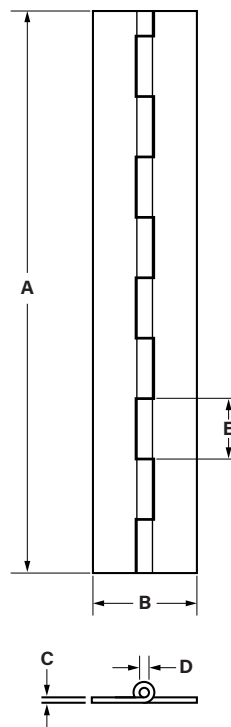
Suitable for use in many applications (medical, electronic enclosures, food equipment, transportation).

- Stainless steel 304
- Various specifications available
- LH / RH

Part No.	A Length	B Width (open)	C Thickness	D Pin	E KNC
22827	6ft	¾"	20g	14g	½"
25321	36"	1"	22g	1.6g	½"
21267	6ft	1"	20g	14g	½"
21268	6ft	1"	20g	14g	1"
25267	6ft	1"	20g	10g	1"
21256	6ft	1"	18g	10g	½"
22264	6ft	1"	18g	10g	1"
21230	6ft	1"	16g	10g	½"
22250	6ft	1"	10g	10g	1"
21269	6ft	1 ¼"	20g	14g	½"
23581	6ft	1 ¼"	20g	14g	1"
21271	6ft	1 ¼"	20g	10g	½"
21257	6ft	1 ¼"	18g	10g	1"
21234	6ft	1 ¼"	16g	10g	1"
21232	6ft	1 ¼"	16g	10g	½"
24027	6ft	1 ½"	20g	10g	1"
22706	6ft	1 ½"	18g	7g	1"
21236	6ft	1 ½"	16g	10g	½"
21239	6ft	1 ½"	16g	10g	1"
21259	6ft	1 ½"	18g	10g	½"
21261	6ft	1 ½"	18g	10g	1"
21243	6ft	2"	16g	10g	1"

# Continuous Hinge - Stainless Steel (Imperial)

13.a



HINGES

Continuous hinges in stainless steel.

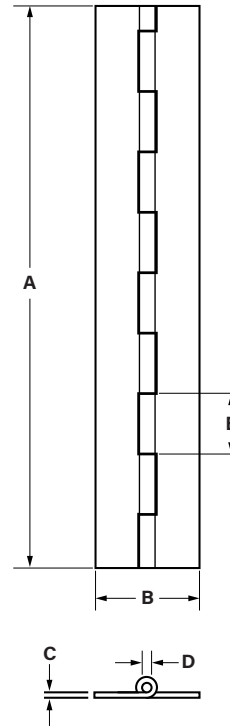
Suitable for use in many applications (medical, electronic enclosures, food equipment, transportation).

- Stainless steel 304
- Various specifications available
- LH / RH

Part No.	A Length	B Width (open)	C Thickness	D Pin	E KNC
23792	6ft	2"	18g	10g	½"
21263	6ft	2"	18g	10g	1"
22054	6ft	2"	16g	4g	½"
21247	6ft	2"	16g	7g	1"
22057	6ft	2"	14g	7g	1"
21224	6ft	2"	14g	4g	1"
22225	6ft	2"	12g	7g	1"
21225	6ft	2 ¼"	14g	4g	1"
21252	6ft	2 ½"	16g	4g	1"
21251	6ft	2 ½"	16g	4g	2"
21227	6ft	2 ½"	14g	4g	1"
22473	6ft	2 ½"	12g	7g	1"
24661	6ft	3"	16g	7g	1"
21254	6ft	3"	16g	4g	1"
22394	6ft	3"	16g	4g	2"
22217	6ft	3"	14g	4g	1"
24275	6ft	3"	12g	7g	1"
22408	6ft	3"	10g	1g	1"
21218	6ft	3"	10g	⅝g	2"
22134	6ft	4"	10g	⅝g	1"
22538	6ft	4"	10g	⅝g	1"

# Continuous Hinge - Mild Steel (Imperial)

13.b



HINGES

Continuous hinges in mild steel.

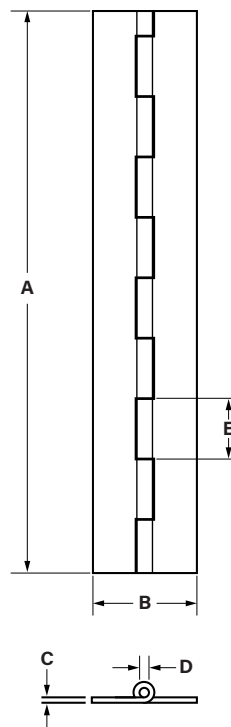
Suitable for use in many applications (medical, electronic enclosures, food equipment, transportation).

- Mild steel
- Various specifications available
- LH / RH

Part No.	A Length	B Width (open)	C Thickness	D Pin	E KNC
21265	6ft	¾"	20g	14g	½"
21266	6ft	1"	20g	14g	½"
22242	6ft	1"	20g	14g	1"
23021	6ft	1"	20g	10g	1"
22364	6ft	1"	18g	10g	1"
23718	6ft	1 ¼"	20g	14g	½"
21270	6ft	1 ¼"	20g	10g	½"
23776	6ft	1 ¼"	20g	10g	1"
23218	6ft	1 ¼"	18g	10g	1"
21231	6ft	1 ¼"	16g	10g	½"
21233	6ft	1 ¼"	16g	10g	1"
21907	6ft	1 ½"	20g	10g	1"
21258	6ft	1 ½"	18g	10g	½"
22732	6ft	1 ½"	18g	10g	1"
21235	6ft	1 ½"	16g	10g	½"
21238	6ft	1 ½"	16g	10g	1"
21241	6ft	1 ½"	16g	7g	1"
21221	6ft	1 ½"	14g	10g	1"
23220	6ft	1 ½"	14g	7g	1"
21262	6ft	2"	18g	10g	1"
21264	6ft	2"	18g	7g	1"
21246	6ft	2"	16g	7g	1"

# Continuous Hinge - Mild Steel (Imperial)

13.b



HINGES

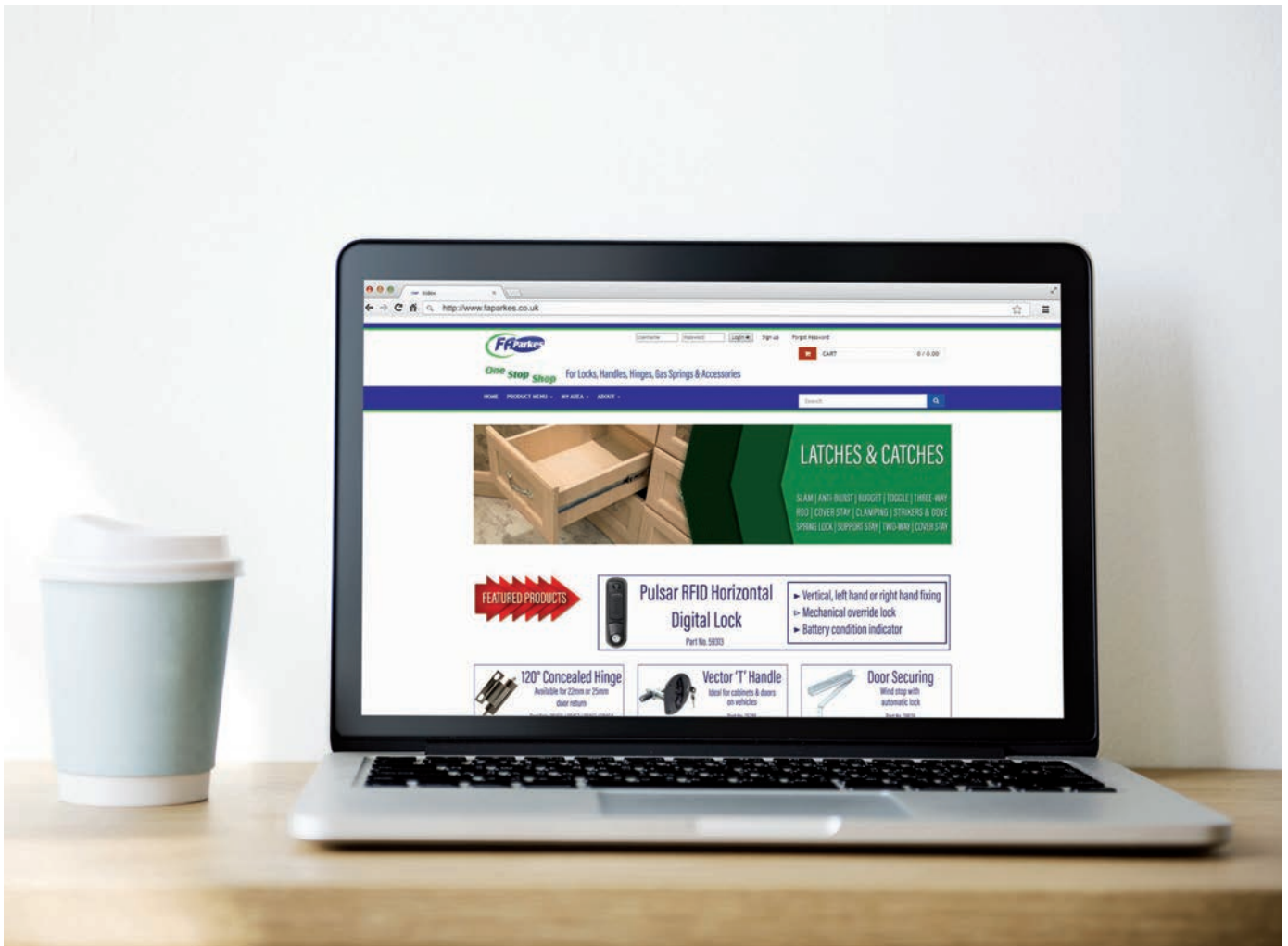
Continuous hinges in mild steel.

Suitable for use in many applications (medical, electronic enclosures, food equipment, transportation).

- Mild steel
- Various specifications available
- LH / RH

Part No.	A Length	B Width (open)	C Thickness	D Pin	E KNC
21248	6ft	2"	16g	7g	1"
21242	6ft	2"	16g	10g	1"
21972	6ft	2"	16g	10g	2"
21222	6ft	2"	14g	7g	1"
22444	6ft	2"	14g	7g	2"
21223	6ft	2"	14g	4g	1"
21220	6ft	2"	12g	7g	1"
22483	6ft	2 ¼"	14g	4g	1"
21250	6ft	2 ½"	16g	7g	1"
21226	6ft	2 ½"	14g	4g	1"
22405	6ft	2 ½"	12g	4g	1"
23205	6ft	2 ½"	12g	4g	2"
24853	6ft	3"	16g	7g	1"
21253	6ft	3"	16g	4g	1"
21228	6ft	3"	14g	4g	1"
23106	6ft	3"	14g	4g	2"
22803	6ft	3"	12g	4g	1"
21216	6ft	3"	10g	5/16g	1"
21217	6ft	3"	10g	5/16g	2"
21219	6ft	4"	10g	5/16g	1"
21973	6ft	4"	10g	5/16g	2"

# We have THOUSANDS more products online



Can't find what you're looking for?  
Go to [faparkes.co.uk](http://faparkes.co.uk) to see our full range.







Swinghandle



14.

Page 26

Recess Grab Handles



15.

Page 26-27

Grab Handles



16.

Page 27-28

Open Fix Handle



17.

Page 28

Grab Rails



18.

Page 28-29

Flush Fitting Handle



19.

Page 29

T Handles



20.

Page 29-30

L Handles



21.

Page 30-31

Wing Handles



22.

Page 32

Compression Handles



23.

Page 33

Paddle Handle



24.

Page 34

Drop Handles



25.

Page 34-35

Vector T Handles



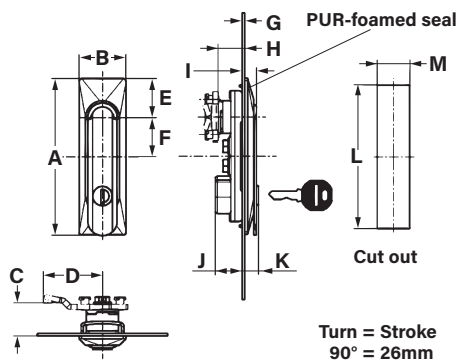
26.

Page 35

Ready to order? Buy from us direct at [faparkes.co.uk](http://faparkes.co.uk) or call us on +44 (0)1942 681 996.

# Swinghandle

14.



Zinc die black powder coated, round cylinder with stainless steel cap and shutter.

With seal, the swinghandle is still earthed.

ZINC

90°

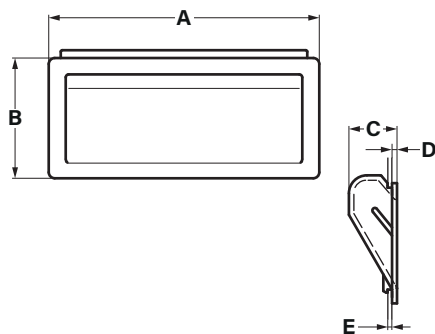
- Fixing material: m.s. zinc plated
- Shaft zinc die zinc plated

Part No.	Style	A	B	C	D	E	F	G	H	I	J	K	L	M
20636	Shutter keyed EK333	120	36	H	45	30	30	2	GH = 20	9	22.5	11	110	25
25586	Shutter keyed different	120	36	H	45	30	30	2	GH = 20	9	22.5	11	110	25

HANDLES

# Recess Grab Handle

15.a



Durable and stylish, this recessed grab handle provides a convenient grip for any door or drawer application with minimal protrusion from front of panel.

PLASTIC

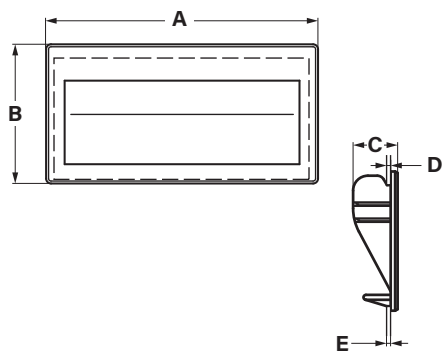
Single hole mount handle is held in place by snap fixing.

- Snap fit
- Black polyamide
- Hole cut out = 83mm x 34mm
- To suit material thickness of 0.75mm to 1.5mm

Part No.	A	B	C	D	E
24083	90	40	16	1.6	0.75 - 1.5

# Recess Grab Handle

15.b



Durable and stylish, this recessed grab handle provides a convenient grip for any door or drawer application with minimal protrusion from front of panel.

PLASTIC

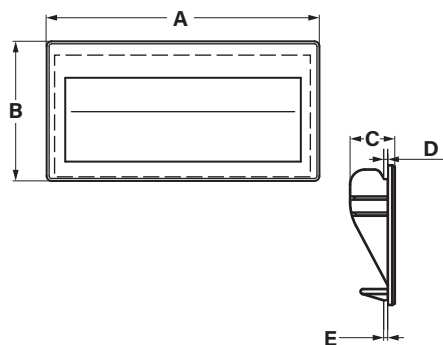
Single hole mount handle is clip fit into place.

- Clip fit
- Black plastic
- Hole cut out = 103mm x 49mm
- To suit material thickness of 1.5mm to 2mm

Part No.	A	B	C	D	E
24084	110	56.3	18	2.8	0.75 - 1.5

## Recess Grab Handle

15.c



Durable and stylish, this recessed grab handle provides a convenient grip for any door or drawer application with minimal protrusion from front of panel.

PLASTIC

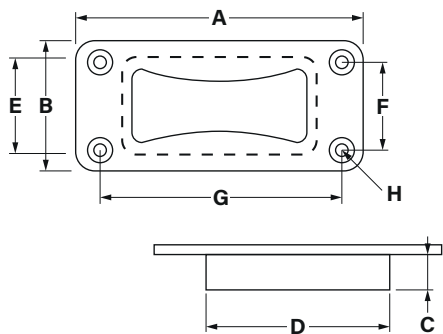
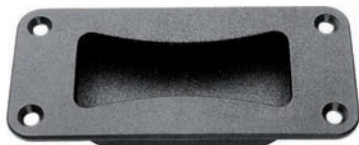
Single hole mount handle is clip fit into place.

- Clip fit
- Black plastic
- Hole cut out = 171mm x 73mm
- To suit material thickness of 1.5mm to 2mm

Part No.	A	B	C	D	E
24085	187	79	22	2.9	1.5 - 2.0

## Recess Grab Handle

15.d



Available in both diecast and moulded construction. The shaped edges allow easy action with roller shutters and sliding doors.

NYLON

ZINC

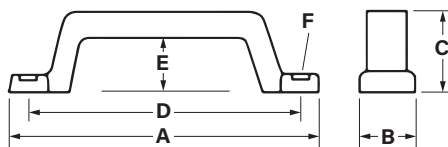
Use the diecast version when handle is used to lift heavy equipment.

- Double sided flush fitting
- Diecast handle: black powder-coated zinc alloy
- Moulded handle: textured finish in glass filled nylon

Part No.	Style	A	B	C	D	E	F	G	H
21115	Moulded	133	60	21	95	45	41	114	6, c/s 10
22471	Diecast	133	60	21	95	45	41	114	6, c/s 10

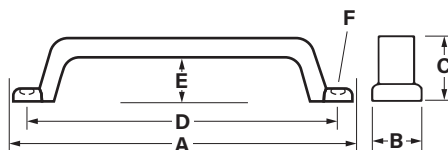
## Grab Handle

16.a



Moulded in resilient elastomer around steel cores, these handles have been designed for those applications where great strength is required, but still offering good appearance and 'user-friendly' characteristics.

STEEL

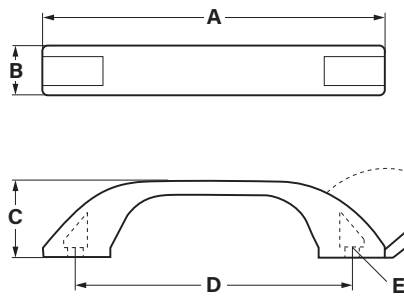


- Black with gloss, textured finish
- Semi-rigid surface
- No hard edges
- With plugs to conceal fixings
- Two size options available

Part No.	A	B	C	D	E	F
20884	190	28	50	157	32	8
20885	280	28	55	253	37	8

## Grab Handle - Moulded

16.b



Grab handle with 'shut fit' snap panels, textured black finish made from polypropylene.

Resilient, strong, with no sharp edges, they suit both inside and outside applications such as vehicle seat-backs, cabinets, carrying-cases, etc.

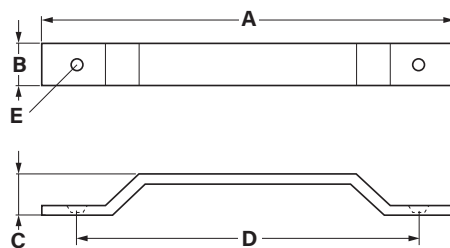
- Black
- Available in two sizes



Part No.	A Length	B Width	C Depth	D Hole centres	E 5 x 8	E 10 x 5
20143	173	30	38	140	5 x 8	10 x 5
58798	203	30	38	170	5 x 8	10 x 5

## Open Fix Handle

17.



A smart, inexpensive handle with 'plant-on' fixing.

It is made in black polypropylene with textured finish, with longitudinal ribbing to lighten weight and increase strength.

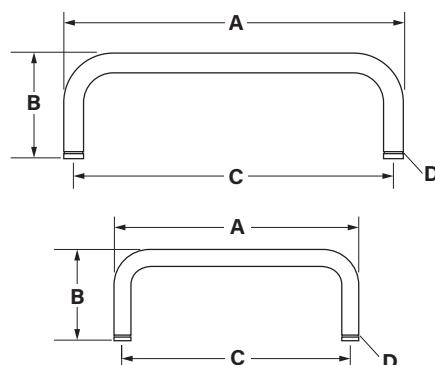
- Black
- Moulded



Part No.	A Length	B Width	C Depth	D Hole centres	E Diameter	E c/s
21202	245	25	40	203	7	12

## Grab Rail - Stainless Steel

18.a



Widely used for electrical cabinets and equipment drawers, these handles are rolled from 9mm stainless steel bar, bright polished.

Available in 104mm and 165mm lengths.

\*Other variations available upon request.

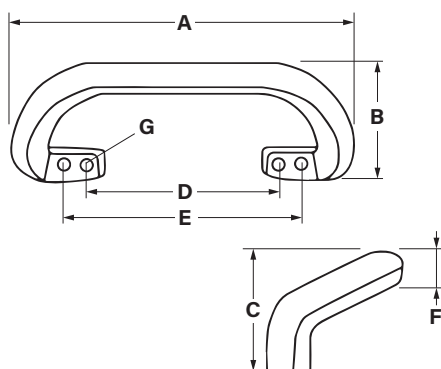
- Stainless steel
- Ends are drilled and tapped M5
- Supplied with two screws for mounting from beneath



Part No.	A Length	B Width	C Hole centres	D M5
20835	104	50	96	M5
20837	165	50	157	M5

# Grab Rail - Foamed

18.b



Moulded in expanded polyurethane foam, this handle has a soft, resilient surface and no sharp edges, while the steel core provides strength and rigidity. This modern design replaces traditional steel stanchion rails, and ensures safety and comfort when used as a grab, or entry assist rail.

STEEL

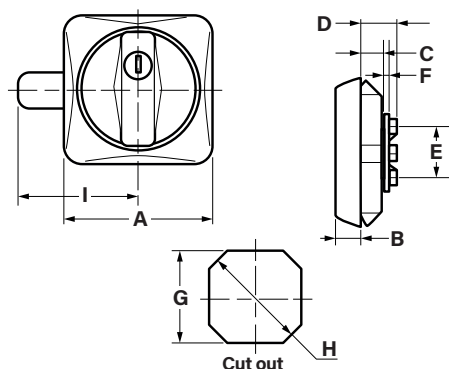


- Available in black and yellow
- More colours available online

Part No.	Colour	A	B	C	D	E	F	G
22229	Black	300	102	75	165	213	25	7
22409	Yellow	300	102	75	165	213	25	7
21085	Black	475	90	75	327	375	33	7
24408	Yellow	475	90	75	327	375	33	7

# Flush Fitting Handle

19.



A flush fitting handle with a satin chrome handle. Available with a quick fixing feature and with minimal projection, this handle is ideal for various applications including metal office furniture, enclosures and lockers.

CHROME

- Keyed 92369
- Cam 6521820
- Available with other key and cam specifications.

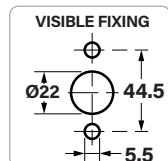
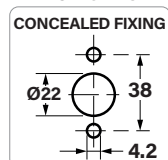
Part No.	A	B	C	D	E	F	G	H	I
22332	□87	15	13.8	23.5	35	2.5	□72.1	□84.1	Ask for details

# T Handle

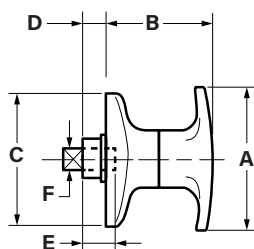
20.a



FIXING HOLE SIZES



SMALL



T Handle in bright chrome. Also available in black finish.

This handle has the option of a caulking cam (*provided separately*) and is ideal for garage doors, shutters and metal office furniture.

CHROME

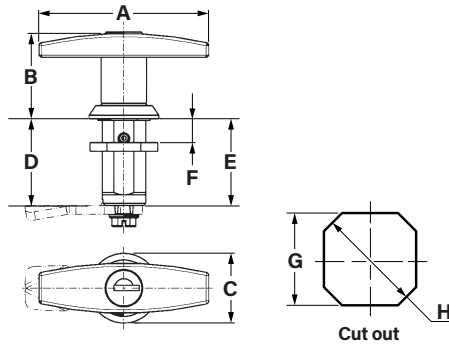
180°

- Chrome plated
- Concealed fixing
- 180° movement
- Locking style: 200-2000 combinations

Part No.	Style	A	B	C	D	E	F
21877	Locking	60	43	58	9	12	8
21396	Non-locking	60	43	58	9	12	8

# T Handle

20.b



T handle available in chrome plated or black powder coated finishes.

Each cylinder has one silver steel key with black polyamide GF grip. Screw and nut m.s. zinc plated.

Key removable in both positions.

- Zinc die
- IP65
- Keyed and Non-locking versions available
- LH / RH

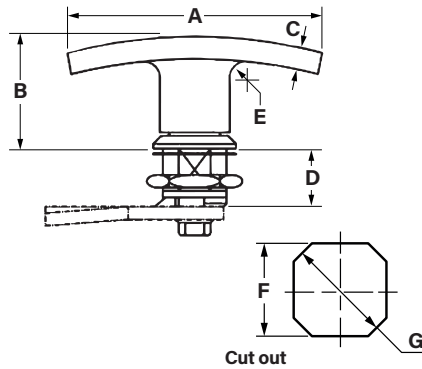


Part No.	Style	Finish	A	B	C	D	E	F	G	H
20251	Keyed 333	Chrome plated	78	39	Ø32	H	GH=18	Ts = 1.5 - 8	□20.1 <sup>+0.1</sup> <sub>0</sub>	Ø22.5 <sup>+0.5</sup> <sub>0</sub>
20382	Non-locking	Chrome plated	78	39	Ø32	H	GH=18	Ts = 1.5 - 8	□20.1 <sup>+0.1</sup> <sub>0</sub>	Ø22.5 <sup>+0.5</sup> <sub>0</sub>
20331	Keyed 333	Black powder coated	78	39	Ø32	H	GH=18	Ts = 1.5 - 8	□20.1 <sup>+0.1</sup> <sub>0</sub>	Ø22.5 <sup>+0.5</sup> <sub>0</sub>
22062	Non-locking	Black powder coated	78	39	Ø32	H	GH=18	Ts = 1.5 - 8	□20.1 <sup>+0.1</sup> <sub>0</sub>	Ø22.5 <sup>+0.5</sup> <sub>0</sub>

HANDLES

# T Handle

20.c



Stainless Steel Grade 304 T Handle with fitted cam.

Please call for cam details.

- 304 Stainless steel
- 316 st/st available upon request
- LH / RH



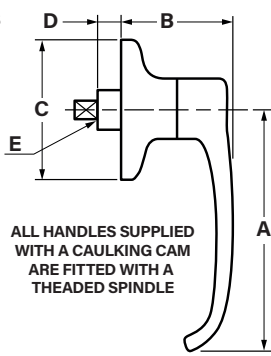
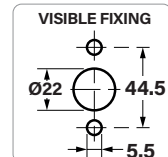
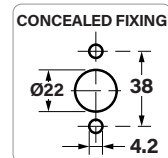
Part No.	A	B	C	D	E	F	G
21511	80	35	7	18	R5	□20.1 <sup>+0.1</sup> <sub>0</sub>	Ø22.5 <sup>+0.5</sup> <sub>0</sub>

# L Handle

21.a



FIXING HOLE SIZES



L Handle available in bright chrome. Also available in black finish.

This handle has the option of a caulking cam (provided separately) which is fitted with a threaded spindle and is ideal for windows.

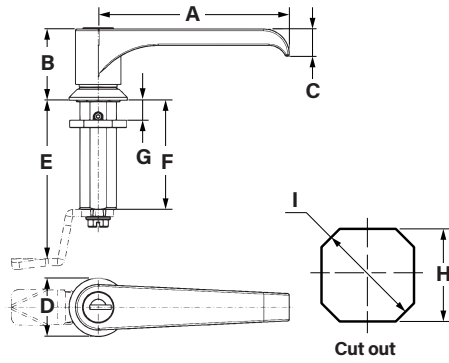
- Chrome plated
- Concealed fixing
- 180° movement
- Locking style: 200 combinations



Part No.	Style	A	B	C	D	E
21878	Locking	101	43	58	9	□8
21426	Non-locking	101	43	58	9	□8

# L Handle

## 21.b



L handle available in chrome or black powder plated finishes.

Each cylinder has one silver steel key with black polyamide GF grip. Screw and nut m.s. zinc pl.

Key removable in both positions.

- Zinc die
- IP65
- Keyed and Non-locking versions available
- LH / RH

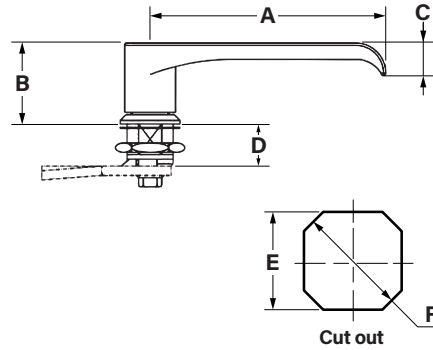


ZINC

Part No.	Style	Finish	A	B	C	D	E	F	G	H	I
20266	Keyed 333	Chrome plated	105	39	15	Ø32	H	GH=18	Ts = 1.5 - 8	□20.1 <sup>+0.1</sup> <sub>0</sub>	Ø22.5 <sup>+0.5</sup> <sub>0</sub>
20260	Non-locking	Chrome plated	105	39	15	Ø32	H	GH=18	Ts = 1.5 - 8	□20.1 <sup>+0.1</sup> <sub>0</sub>	Ø22.5 <sup>+0.5</sup> <sub>0</sub>
20344	Keyed 333	Black powder coated	105	39	15	Ø32	H	GH=18	Ts = 1.5 - 8	□20.1 <sup>+0.1</sup> <sub>0</sub>	Ø22.5 <sup>+0.5</sup> <sub>0</sub>
20339	Non-locking	Black powder coated	105	39	15	Ø32	H	GH=18	Ts = 1.5 - 8	□20.1 <sup>+0.1</sup> <sub>0</sub>	Ø22.5 <sup>+0.5</sup> <sub>0</sub>

# L Handle

## 21.c



Stainless Steel Grade 304 L Handle with fitted cam.

Please call for cam details.

- 304 Stainless steel
- 316 st/st available upon request
- LH / RH

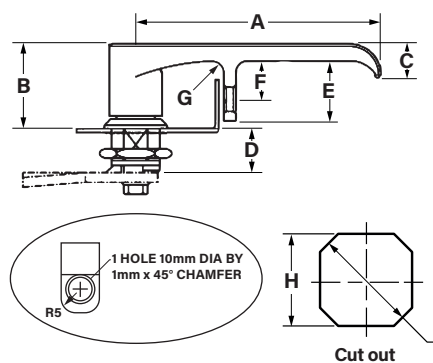


STAINLESS STEEL

Part No.	A	B	C	D	E	F
21514	102	35	13	18	□20.1 <sup>+0.1</sup> <sub>0</sub>	Ø22.5 <sup>+0.5</sup> <sub>0</sub>

# L Handle - Padlockable

## 21.d



Stainless Steel Grade 304 Padlockable L Handle with fitted cam.

Please call for cam details.

- 304 Stainless steel
- Padlockable
- 316 st/st available upon request
- LH / RH



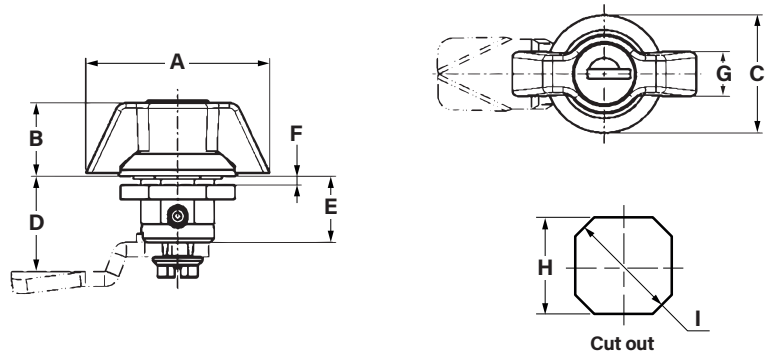
STAINLESS STEEL



Part No.	A	B	C	D	E	F	G	H	I
21513	102	35	13	18	25	16	R5	□20.1 <sup>+0.1</sup> <sub>0</sub>	Ø22.5 <sup>+0.5</sup> <sub>0</sub>

# Wing Handle

22.a



Wing handle available in chrome plated, black powder coated or polyamide finishes.

Each cylinder has one silver steel key with black polyamide GF grip.

Key removable in both positions.

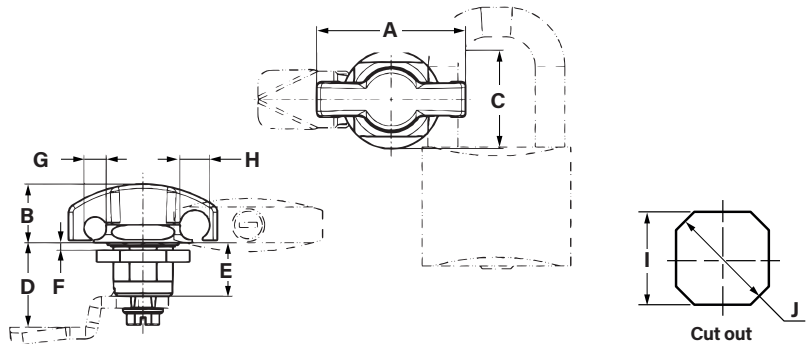
- Zinc die
- Screw and nut m.s. zinc plated
- IP65
- Keyed and Non-locking versions available
- LH / RH

HANDLES

Part No.	Style	Finish	A	B	C	D	E	F	G	H	I
20267	Keyed 333	Chrome plated	50	20	Ø32	H	GH=18	Ts = 1.5 - 8	12	□20.1 <sup>+0.1</sup> <sub>0</sub>	Ø22.5 <sup>+0.5</sup> <sub>0</sub>
20265	Non-locking	Chrome plated	50	20	Ø32	H	GH=18	Ts = 1.5 - 8	12	□20.1 <sup>+0.1</sup> <sub>0</sub>	Ø22.5 <sup>+0.5</sup> <sub>0</sub>
20300	Keyed 333	Black powder coated	50	20	Ø32	H	GH=18	Ts = 1.5 - 8	12	□20.1 <sup>+0.1</sup> <sub>0</sub>	Ø22.5 <sup>+0.5</sup> <sub>0</sub>
20301	Non-locking	Black powder coated	50	20	Ø32	H	GH=18	Ts = 1.5 - 8	12	□20.1 <sup>+0.1</sup> <sub>0</sub>	Ø22.5 <sup>+0.5</sup> <sub>0</sub>
20336	Keyed 333	Polyamide	50	20	Ø32	H	GH=18	Ts = 1.5 - 8	12	□20.1 <sup>+0.1</sup> <sub>0</sub>	Ø22.5 <sup>+0.5</sup> <sub>0</sub>
20335	Non-locking	Polyamide	50	20	Ø32	H	GH=18	Ts = 1.5 - 8	12	□20.1 <sup>+0.1</sup> <sub>0</sub>	Ø22.5 <sup>+0.5</sup> <sub>0</sub>

# Wing Handle

22.b



Please call for cam details.

- Zinc die
- Black powder coated
- Padlockable
- LH / RH

Part No.	A	B	C	D	E	F	G	H	I	J
20355	50	20	Ø33	H	GH = 18	Ts = 1.2 - 8	4.5 - 7.5	7.5 - 10	□20.1 <sup>+0.1</sup> <sub>0</sub>	Ø22.5 <sup>+0.5</sup> <sub>0</sub>

**STABILUS**

and



Your partners in gas spring control

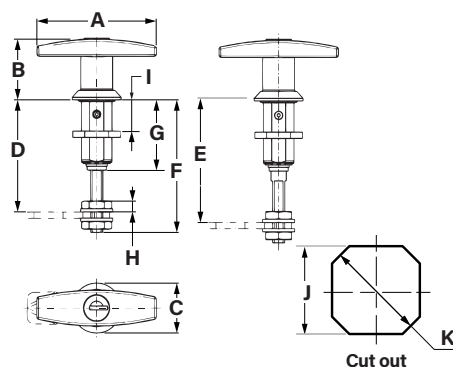


See pages 56 - 58



# Compression T Handle

23.a



Handle and housing: black powder coated zinc alloy, cylinder: zinc alloy with stainless steel cap and shutter, the washer, nut and screw: zinc plated mild steel.



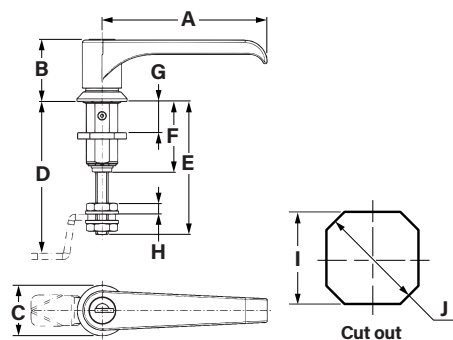
Each locking handle has one silver key with black nylon grip.

- Key removable in both positions
- Locking or Non-locking options available
- LH / RH

Part No.	Style	A	B	C	D	E	F	G	H	I	J	K
25628	Non-locking	78	39	Ø32	H	H + 6	84.5	GH = 45	7	Ts = 1.5 - 30	□20.1 <sup>+0.1</sup> <sub>0</sub>	Ø22.5 <sup>+0.5</sup> <sub>0</sub>
25077	Locking: keyed EK333	78	39	Ø32	H	H + 6	84.5	GH = 45	7	Ts = 1.5 - 30	□20.1 <sup>+0.1</sup> <sub>0</sub>	Ø22.5 <sup>+0.5</sup> <sub>0</sub>
25629	Locking: keyed to differ	78	39	Ø32	H	H + 6	84.5	GH = 45	7	Ts = 1.5 - 30	□20.1 <sup>+0.1</sup> <sub>0</sub>	Ø22.5 <sup>+0.5</sup> <sub>0</sub>

# Compression L Handle

23.b



Handle and housing: black powder coated zinc alloy, cylinder: zinc alloy with stainless steel cap and shutter, the washer, nut and screw: zinc plated mild steel.



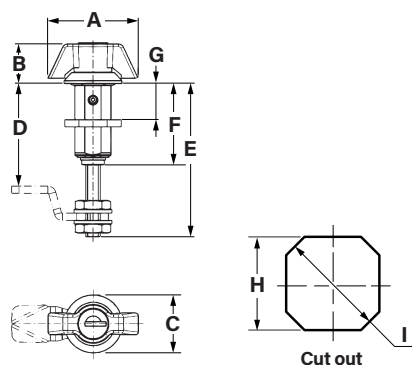
Each locking handle has one silver key with black nylon grip.

- Key removable in both positions
- Locking or Non-locking options available
- LH / RH

Part No.	Style	A	B	C	D	E	F	G	H	I	J
25625	Non-locking	105	39	Ø32	H	84.5	GH = 45	Ts = 1.5 - 30	7	□20.1 <sup>+0.1</sup> <sub>0</sub>	Ø22.5 <sup>+0.5</sup> <sub>0</sub>
25626	Locking: keyed EK333	105	39	Ø32	H	84.5	GH = 45	Ts = 1.5 - 30	7	□20.1 <sup>+0.1</sup> <sub>0</sub>	Ø22.5 <sup>+0.5</sup> <sub>0</sub>
25627	Locking: keyed to differ	105	39	Ø32	H	84.5	GH = 45	Ts = 1.5 - 30	7	□20.1 <sup>+0.1</sup> <sub>0</sub>	Ø22.5 <sup>+0.5</sup> <sub>0</sub>

# Compression Wing Handle

23.c



Handle and housing: black powder coated zinc alloy, cylinder: zinc alloy with stainless steel cap and shutter, the washer, nut and screw: zinc plated mild steel.

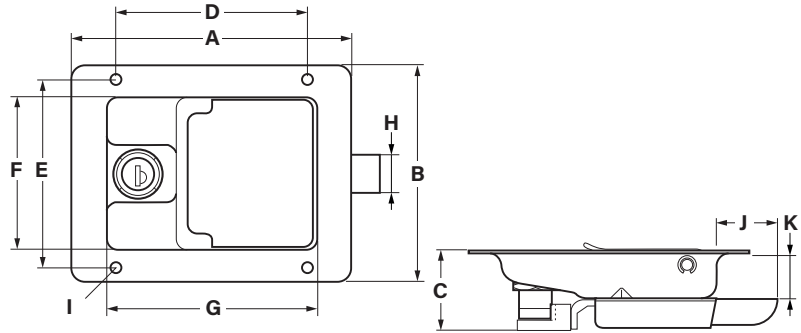


Each locking handle has one silver key with black nylon grip.

- Key removable in both positions
- Locking or Non-locking options available
- LH / RH

Part No.	Style	A	B	C	D	E	F	G	H	I
25622	Non-locking	50	22	Ø32	H	84.5	GH = 45	Ts = 1.5 - 30	□20.1 <sup>+0.1</sup> <sub>0</sub>	Ø22.5 <sup>+0.5</sup> <sub>0</sub>
25623	Locking: keyed EK333	50	22	Ø32	H	84.5	GH = 45	Ts = 1.5 - 30	□20.1 <sup>+0.1</sup> <sub>0</sub>	Ø22.5 <sup>+0.5</sup> <sub>0</sub>
25624	Locking: keyed to differ	50	22	Ø32	H	84.5	GH = 45	Ts = 1.5 - 30	□20.1 <sup>+0.1</sup> <sub>0</sub>	Ø22.5 <sup>+0.5</sup> <sub>0</sub>

# Paddle Handle



The 'Paddle' concept provides an attractive, fully self-contained lock/latch, which is flush fitting and simple to install.

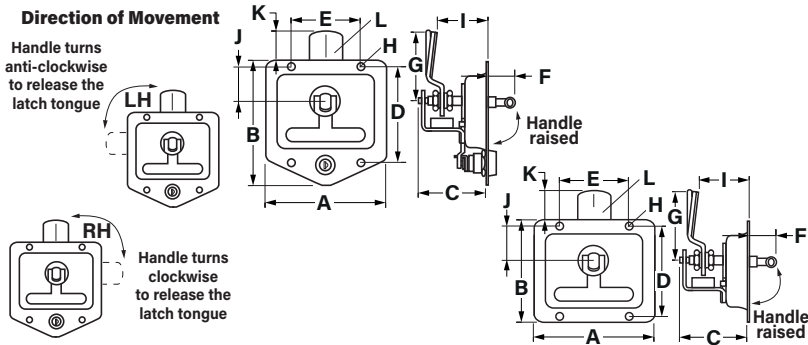
- Locking or Non-locking versions available
- Stainless steel and mild steel options
- Flush fitting

These are slam-action paddles using a machine-cut solid bolt. Stainless models have pierced rim, mild steel models are normally supplied with plain, unpierced rim for weld-on installation.

HANDLES

Part No.	Style	Material	A	B	C	D	E	F	G	H	I	J	K
20891	Locking	Stainless steel	140	108	40	95	94	76	105	19	Ø5	28	22
20893	Locking	Mild steel	140	108	40	95	94	76	105	19	Ø5	28	22
20887	Non-locking	Stainless steel	140	108	40	95	94	76	105	19	Ø5	28	22
20895	Non-locking	Mild steel	140	108	40	95	94	76	105	19	Ø5	28	22

# Drop T Handle



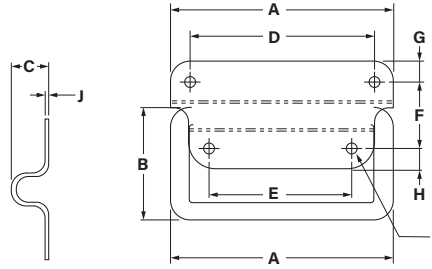
Self-contained handle, lock and adjustable latch in a flush-fitting recess pan, with good resistance to water penetration. Easily fixed into a simple cut-out, with shaped latch tongue giving 3mm take-up against gasketed door edge. Suits vehicle compartments & toolboxes, compressors, generators and other large enclosures.

- Stainless steel (*Mild steel versions available on request*)
- LH / RH

Part No.	Style	LH/RH	A	B	C	D	E	F	G	H	I	J	K	L
21141	Keyed FS880	LH	120	125	68	95	69	30	70	Ø7.5	43 - 55	34	30	30 x 5 deep
21142	Keyed FS880	RH	120	125	68	95	69	30	70	Ø7.5	43 - 55	34	30	30 x 5 deep
21143	Non-locking	LH	120	102	68	90	69	30	70	Ø7.5	43 - 55	34	30	30 x 5 deep
21144	Non-locking	RH	120	102	68	90	69	30	70	Ø7.5	43 - 55	34	30	30 x 5 deep

# Drop Handle

25.b



Surface mounted Drop Handle in mild steel, zinc plated.

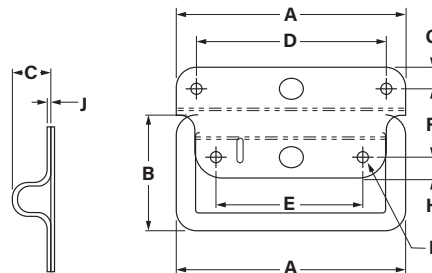
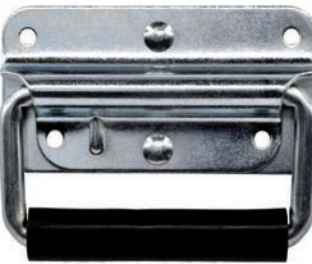
**MILD STEEL**

- Surface mounted
- Mild steel
- Zinc plated

Part No.	A	B	C	D	E	F	G	H	I	J
21472	102	54	13	82	59	37	8.5	8.5	Ø5.1	2

# Drop Handle

25.c



Surface mounted, sprung loaded Drop Handle with plastic cover in mild steel, zinc plated.

**MILD STEEL**

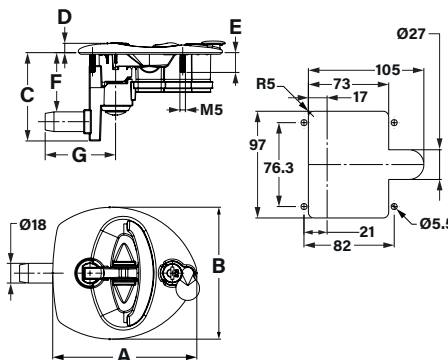
- Surface mounted
- Sprung loaded with plastic cover
- Mild steel
- Zinc plated

Part No.	A	B	C	D	E	F	G	H	I	J
21473	102	54	14	85	67	33	10	12	Ø5.1	2

HANDLES

# Vector T Handle

26.



The Vector T handle operates with a 4mm compression feature for a vibration-free closure.

**STEEL**

Applications include cabinets, storage lockers, cupboards and doors on vehicles such as fire engines, emergency response, and other types of service vehicles and vans.

**180°**

- Flush finish
- 180° rotation
- Body: corrosion proof Polyamide (PA6) - black
- Handle and shaft: black coated die-cast

Part No.	Style	A	B	C	D	E	F	G	H
51652	Keyed CH752	131	120	80	9	18	10-60*	61	105
25745	Keyed CH751	131	120	80	9	18	10-60*	61	105

\*Adjustable cam (H=10 - 60mm)

# Can't see what you need?



We have THOUSANDS more products online.  
Go to [faparkes.co.uk](http://faparkes.co.uk) to see our full range.





*Quarter Turn Locks*



**27.**

Page 38-43

*Universal Bin Lock*



**28.**

Page 44

*Safe Locks*



**29.**

Page 44

*Camlocks*



**30.**

Page 45

*Compression Locks*



**31.**

Page 46

*Digital Combination Lock*



**32.**

Page 47

*RFID Digital Lock*



**33.**

Page 47

*Mechanical Combination Lock*



**34.**

Page 47

*Radial Pin Tumbler Lock*



**35.**

Page 48

*Slide Door Locks*



**36.**

Page 48

*Pedestal Locks*



**37.**

Page 49

*Tambour Locks*



**38.**

Page 49

*Rim Locks*



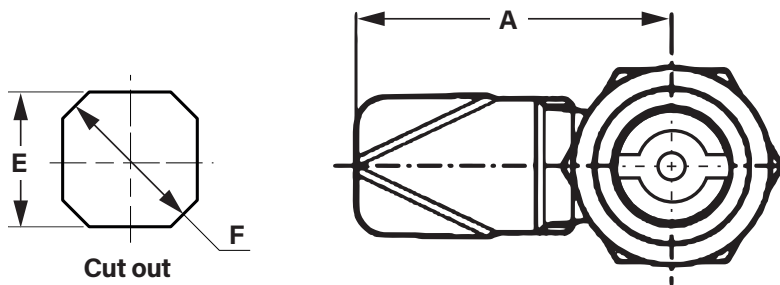
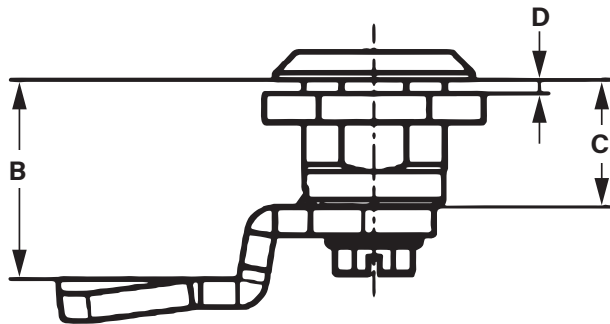
**39.**

Page 50-51

Ready to order? Buy from us direct at [faparkes.co.uk](http://faparkes.co.uk) or call us on +44 (0)1942 681 996.

# Quarter Turn Locks - Double Bit

27.a



Double Bit Quarter Turn locks in chrome.

3mm and 5mm size options. Double Bit Keys also available.

- IP65 rating
- 90° turn
- LH / RH

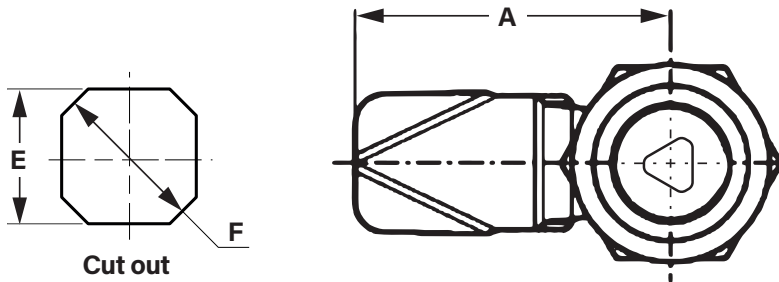
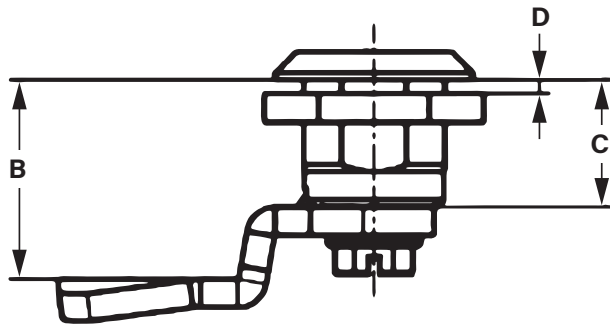
Part No.	Size
20410	Double Bit Key - 3mm
20412	Double Bit Key - 5mm

Part No.	Size	A	B	C	D	E	F
25444	3mm	45	H = 04	GH = 18	Ts = 1.2 - 8	□20.1 <sup>+0.1</sup> <sub>0</sub>	Ø22.5 <sup>+0.5</sup> <sub>0</sub>
25445	3mm	45	H = 06	GH = 18	Ts = 1.2 - 8	□20.1 <sup>+0.1</sup> <sub>0</sub>	Ø22.5 <sup>+0.5</sup> <sub>0</sub>
25446	3mm	45	H = 08	GH = 18	Ts = 1.2 - 8	□20.1 <sup>+0.1</sup> <sub>0</sub>	Ø22.5 <sup>+0.5</sup> <sub>0</sub>
25447	3mm	45	H = 10	GH = 18	Ts = 1.2 - 8	□20.1 <sup>+0.1</sup> <sub>0</sub>	Ø22.5 <sup>+0.5</sup> <sub>0</sub>
25448	3mm	45	H = 13	GH = 18	Ts = 1.2 - 8	□20.1 <sup>+0.1</sup> <sub>0</sub>	Ø22.5 <sup>+0.5</sup> <sub>0</sub>
25449	3mm	45	H = 14	GH = 18	Ts = 1.2 - 8	□20.1 <sup>+0.1</sup> <sub>0</sub>	Ø22.5 <sup>+0.5</sup> <sub>0</sub>
25450	3mm	45	H = 16	GH = 18	Ts = 1.2 - 8	□20.1 <sup>+0.1</sup> <sub>0</sub>	Ø22.5 <sup>+0.5</sup> <sub>0</sub>
25451	3mm	45	H = 18	GH = 18	Ts = 1.2 - 8	□20.1 <sup>+0.1</sup> <sub>0</sub>	Ø22.5 <sup>+0.5</sup> <sub>0</sub>
25452	3mm	45	H = 20	GH = 18	Ts = 1.2 - 8	□20.1 <sup>+0.1</sup> <sub>0</sub>	Ø22.5 <sup>+0.5</sup> <sub>0</sub>
25453	3mm	45	H = 22	GH = 18	Ts = 1.2 - 8	□20.1 <sup>+0.1</sup> <sub>0</sub>	Ø22.5 <sup>+0.5</sup> <sub>0</sub>
25454	3mm	45	H = 24	GH = 18	Ts = 1.2 - 8	□20.1 <sup>+0.1</sup> <sub>0</sub>	Ø22.5 <sup>+0.5</sup> <sub>0</sub>
25455	3mm	45	H = 25	GH = 18	Ts = 1.2 - 8	□20.1 <sup>+0.1</sup> <sub>0</sub>	Ø22.5 <sup>+0.5</sup> <sub>0</sub>
25456	3mm	45	H = 26	GH = 18	Ts = 1.2 - 8	□20.1 <sup>+0.1</sup> <sub>0</sub>	Ø22.5 <sup>+0.5</sup> <sub>0</sub>
25457	3mm	45	H = 28	GH = 18	Ts = 1.2 - 8	□20.1 <sup>+0.1</sup> <sub>0</sub>	Ø22.5 <sup>+0.5</sup> <sub>0</sub>
25458	3mm	45	H = 30	GH = 18	Ts = 1.2 - 8	□20.1 <sup>+0.1</sup> <sub>0</sub>	Ø22.5 <sup>+0.5</sup> <sub>0</sub>
25459	3mm	45	H = 32	GH = 18	Ts = 1.2 - 8	□20.1 <sup>+0.1</sup> <sub>0</sub>	Ø22.5 <sup>+0.5</sup> <sub>0</sub>
25460	3mm	45	H = 34	GH = 18	Ts = 1.2 - 8	□20.1 <sup>+0.1</sup> <sub>0</sub>	Ø22.5 <sup>+0.5</sup> <sub>0</sub>
25461	3mm	45	H = 35	GH = 18	Ts = 1.2 - 8	□20.1 <sup>+0.1</sup> <sub>0</sub>	Ø22.5 <sup>+0.5</sup> <sub>0</sub>
25462	3mm	45	H = 36	GH = 18	Ts = 1.2 - 8	□20.1 <sup>+0.1</sup> <sub>0</sub>	Ø22.5 <sup>+0.5</sup> <sub>0</sub>
25463	3mm	45	H = 38	GH = 18	Ts = 1.2 - 8	□20.1 <sup>+0.1</sup> <sub>0</sub>	Ø22.5 <sup>+0.5</sup> <sub>0</sub>
25464	3mm	45	H = 40	GH = 18	Ts = 1.2 - 8	□20.1 <sup>+0.1</sup> <sub>0</sub>	Ø22.5 <sup>+0.5</sup> <sub>0</sub>
25465	3mm	45	H = 42	GH = 18	Ts = 1.2 - 8	□20.1 <sup>+0.1</sup> <sub>0</sub>	Ø22.5 <sup>+0.5</sup> <sub>0</sub>
25466	3mm	45	H = 44	GH = 18	Ts = 1.2 - 8	□20.1 <sup>+0.1</sup> <sub>0</sub>	Ø22.5 <sup>+0.5</sup> <sub>0</sub>
25467	3mm	45	H = 45	GH = 18	Ts = 1.2 - 8	□20.1 <sup>+0.1</sup> <sub>0</sub>	Ø22.5 <sup>+0.5</sup> <sub>0</sub>
25468	3mm	45	H = 47	GH = 18	Ts = 1.2 - 8	□20.1 <sup>+0.1</sup> <sub>0</sub>	Ø22.5 <sup>+0.5</sup> <sub>0</sub>
25469	3mm	45	H = 50	GH = 18	Ts = 1.2 - 8	□20.1 <sup>+0.1</sup> <sub>0</sub>	Ø22.5 <sup>+0.5</sup> <sub>0</sub>
25418	5mm	45	H = 04	GH = 18	Ts = 1.2 - 8	□20.1 <sup>+0.1</sup> <sub>0</sub>	Ø22.5 <sup>+0.5</sup> <sub>0</sub>
25419	5mm	45	H = 06	GH = 18	Ts = 1.2 - 8	□20.1 <sup>+0.1</sup> <sub>0</sub>	Ø22.5 <sup>+0.5</sup> <sub>0</sub>
25420	5mm	45	H = 08	GH = 18	Ts = 1.2 - 8	□20.1 <sup>+0.1</sup> <sub>0</sub>	Ø22.5 <sup>+0.5</sup> <sub>0</sub>
25421	5mm	45	H = 10	GH = 18	Ts = 1.2 - 8	□20.1 <sup>+0.1</sup> <sub>0</sub>	Ø22.5 <sup>+0.5</sup> <sub>0</sub>
25422	5mm	45	H = 13	GH = 18	Ts = 1.2 - 8	□20.1 <sup>+0.1</sup> <sub>0</sub>	Ø22.5 <sup>+0.5</sup> <sub>0</sub>
25423	5mm	45	H = 14	GH = 18	Ts = 1.2 - 8	□20.1 <sup>+0.1</sup> <sub>0</sub>	Ø22.5 <sup>+0.5</sup> <sub>0</sub>
25424	5mm	45	H = 16	GH = 18	Ts = 1.2 - 8	□20.1 <sup>+0.1</sup> <sub>0</sub>	Ø22.5 <sup>+0.5</sup> <sub>0</sub>
25425	5mm	45	H = 18	GH = 18	Ts = 1.2 - 8	□20.1 <sup>+0.1</sup> <sub>0</sub>	Ø22.5 <sup>+0.5</sup> <sub>0</sub>
25426	5mm	45	H = 20	GH = 18	Ts = 1.2 - 8	□20.1 <sup>+0.1</sup> <sub>0</sub>	Ø22.5 <sup>+0.5</sup> <sub>0</sub>
25427	5mm	45	H = 22	GH = 18	Ts = 1.2 - 8	□20.1 <sup>+0.1</sup> <sub>0</sub>	Ø22.5 <sup>+0.5</sup> <sub>0</sub>
25428	5mm	45	H = 24	GH = 18	Ts = 1.2 - 8	□20.1 <sup>+0.1</sup> <sub>0</sub>	Ø22.5 <sup>+0.5</sup> <sub>0</sub>
25429	5mm	45	H = 25	GH = 18	Ts = 1.2 - 8	□20.1 <sup>+0.1</sup> <sub>0</sub>	Ø22.5 <sup>+0.5</sup> <sub>0</sub>
25430	5mm	45	H = 26	GH = 18	Ts = 1.2 - 8	□20.1 <sup>+0.1</sup> <sub>0</sub>	Ø22.5 <sup>+0.5</sup> <sub>0</sub>
25431	5mm	45	H = 28	GH = 18	Ts = 1.2 - 8	□20.1 <sup>+0.1</sup> <sub>0</sub>	Ø22.5 <sup>+0.5</sup> <sub>0</sub>
25432	5mm	45	H = 30	GH = 18	Ts = 1.2 - 8	□20.1 <sup>+0.1</sup> <sub>0</sub>	Ø22.5 <sup>+0.5</sup> <sub>0</sub>
25433	5mm	45	H = 32	GH = 18	Ts = 1.2 - 8	□20.1 <sup>+0.1</sup> <sub>0</sub>	Ø22.5 <sup>+0.5</sup> <sub>0</sub>
25434	5mm	45	H = 34	GH = 18	Ts = 1.2 - 8	□20.1 <sup>+0.1</sup> <sub>0</sub>	Ø22.5 <sup>+0.5</sup> <sub>0</sub>
25435	5mm	45	H = 35	GH = 18	Ts = 1.2 - 8	□20.1 <sup>+0.1</sup> <sub>0</sub>	Ø22.5 <sup>+0.5</sup> <sub>0</sub>
25436	5mm	45	H = 36	GH = 18	Ts = 1.2 - 8	□20.1 <sup>+0.1</sup> <sub>0</sub>	Ø22.5 <sup>+0.5</sup> <sub>0</sub>
25437	5mm	45	H = 38	GH = 18	Ts = 1.2 - 8	□20.1 <sup>+0.1</sup> <sub>0</sub>	Ø22.5 <sup>+0.5</sup> <sub>0</sub>
25438	5mm	45	H = 40	GH = 18	Ts = 1.2 - 8	□20.1 <sup>+0.1</sup> <sub>0</sub>	Ø22.5 <sup>+0.5</sup> <sub>0</sub>
25439	5mm	45	H = 42	GH = 18	Ts = 1.2 - 8	□20.1 <sup>+0.1</sup> <sub>0</sub>	Ø22.5 <sup>+0.5</sup> <sub>0</sub>
25440	5mm	45	H = 44	GH = 18	Ts = 1.2 - 8	□20.1 <sup>+0.1</sup> <sub>0</sub>	Ø22.5 <sup>+0.5</sup> <sub>0</sub>
25441	5mm	45	H = 45	GH = 18	Ts = 1.2 - 8	□20.1 <sup>+0.1</sup> <sub>0</sub>	Ø22.5 <sup>+0.5</sup> <sub>0</sub>
25442	5mm	45	H = 47	GH = 18	Ts = 1.2 - 8	□20.1 <sup>+0.1</sup> <sub>0</sub>	Ø22.5 <sup>+0.5</sup> <sub>0</sub>

LOCKS

# Quarter Turn Locks - Triangular

27.b



Triangular Quarter Turn locks in chrome.

7mm and 8mm size options. Triangular Keys also available.

- IP65 rating
- 90° turn
- LH / RH

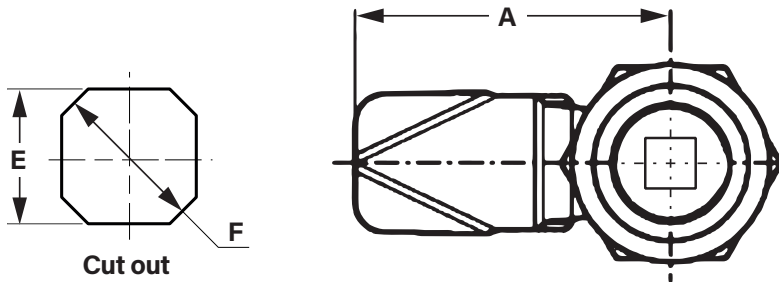
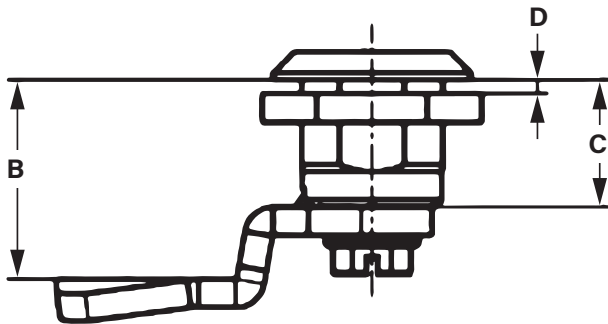
Part No.	Size
20408	Triangular Key - 7mm
20409	Triangular Key - 8mm



Part No.	Size	A	B	C	D	E	F
25470	7mm	45	H = 04	GH = 18	Ts = 1.2 - 8	□20.1 <sup>+0.1</sup> <sub>0</sub>	Ø22.5 <sup>+0.5</sup> <sub>0</sub>
25471	7mm	45	H = 06	GH = 18	Ts = 1.2 - 8	□20.1 <sup>+0.1</sup> <sub>0</sub>	Ø22.5 <sup>+0.5</sup> <sub>0</sub>
25472	7mm	45	H = 08	GH = 18	Ts = 1.2 - 8	□20.1 <sup>+0.1</sup> <sub>0</sub>	Ø22.5 <sup>+0.5</sup> <sub>0</sub>
25473	7mm	45	H = 10	GH = 18	Ts = 1.2 - 8	□20.1 <sup>+0.1</sup> <sub>0</sub>	Ø22.5 <sup>+0.5</sup> <sub>0</sub>
25474	7mm	45	H = 13	GH = 18	Ts = 1.2 - 8	□20.1 <sup>+0.1</sup> <sub>0</sub>	Ø22.5 <sup>+0.5</sup> <sub>0</sub>
25475	7mm	45	H = 14	GH = 18	Ts = 1.2 - 8	□20.1 <sup>+0.1</sup> <sub>0</sub>	Ø22.5 <sup>+0.5</sup> <sub>0</sub>
25476	7mm	45	H = 16	GH = 18	Ts = 1.2 - 8	□20.1 <sup>+0.1</sup> <sub>0</sub>	Ø22.5 <sup>+0.5</sup> <sub>0</sub>
25477	7mm	45	H = 20	GH = 18	Ts = 1.2 - 8	□20.1 <sup>+0.1</sup> <sub>0</sub>	Ø22.5 <sup>+0.5</sup> <sub>0</sub>
25478	7mm	45	H = 22	GH = 18	Ts = 1.2 - 8	□20.1 <sup>+0.1</sup> <sub>0</sub>	Ø22.5 <sup>+0.5</sup> <sub>0</sub>
25479	7mm	45	H = 24	GH = 18	Ts = 1.2 - 8	□20.1 <sup>+0.1</sup> <sub>0</sub>	Ø22.5 <sup>+0.5</sup> <sub>0</sub>
25480	7mm	45	H = 25	GH = 18	Ts = 1.2 - 8	□20.1 <sup>+0.1</sup> <sub>0</sub>	Ø22.5 <sup>+0.5</sup> <sub>0</sub>
25481	7mm	45	H = 26	GH = 18	Ts = 1.2 - 8	□20.1 <sup>+0.1</sup> <sub>0</sub>	Ø22.5 <sup>+0.5</sup> <sub>0</sub>
25482	7mm	45	H = 28	GH = 18	Ts = 1.2 - 8	□20.1 <sup>+0.1</sup> <sub>0</sub>	Ø22.5 <sup>+0.5</sup> <sub>0</sub>
25483	7mm	45	H = 30	GH = 18	Ts = 1.2 - 8	□20.1 <sup>+0.1</sup> <sub>0</sub>	Ø22.5 <sup>+0.5</sup> <sub>0</sub>
25484	7mm	45	H = 32	GH = 18	Ts = 1.2 - 8	□20.1 <sup>+0.1</sup> <sub>0</sub>	Ø22.5 <sup>+0.5</sup> <sub>0</sub>
25485	7mm	45	H = 34	GH = 18	Ts = 1.2 - 8	□20.1 <sup>+0.1</sup> <sub>0</sub>	Ø22.5 <sup>+0.5</sup> <sub>0</sub>
25486	7mm	45	H = 35	GH = 18	Ts = 1.2 - 8	□20.1 <sup>+0.1</sup> <sub>0</sub>	Ø22.5 <sup>+0.5</sup> <sub>0</sub>
25487	7mm	45	H = 36	GH = 18	Ts = 1.2 - 8	□20.1 <sup>+0.1</sup> <sub>0</sub>	Ø22.5 <sup>+0.5</sup> <sub>0</sub>
25488	7mm	45	H = 38	GH = 18	Ts = 1.2 - 8	□20.1 <sup>+0.1</sup> <sub>0</sub>	Ø22.5 <sup>+0.5</sup> <sub>0</sub>
25489	7mm	45	H = 40	GH = 18	Ts = 1.2 - 8	□20.1 <sup>+0.1</sup> <sub>0</sub>	Ø22.5 <sup>+0.5</sup> <sub>0</sub>
25490	7mm	45	H = 42	GH = 18	Ts = 1.2 - 8	□20.1 <sup>+0.1</sup> <sub>0</sub>	Ø22.5 <sup>+0.5</sup> <sub>0</sub>
25491	7mm	45	H = 44	GH = 18	Ts = 1.2 - 8	□20.1 <sup>+0.1</sup> <sub>0</sub>	Ø22.5 <sup>+0.5</sup> <sub>0</sub>
25492	7mm	45	H = 45	GH = 18	Ts = 1.2 - 8	□20.1 <sup>+0.1</sup> <sub>0</sub>	Ø22.5 <sup>+0.5</sup> <sub>0</sub>
25493	7mm	45	H = 47	GH = 18	Ts = 1.2 - 8	□20.1 <sup>+0.1</sup> <sub>0</sub>	Ø22.5 <sup>+0.5</sup> <sub>0</sub>
25494	7mm	45	H = 50	GH = 18	Ts = 1.2 - 8	□20.1 <sup>+0.1</sup> <sub>0</sub>	Ø22.5 <sup>+0.5</sup> <sub>0</sub>
25495	8mm	45	H = 04	GH = 18	Ts = 1.2 - 8	□20.1 <sup>+0.1</sup> <sub>0</sub>	Ø22.5 <sup>+0.5</sup> <sub>0</sub>
25496	8mm	45	H = 06	GH = 18	Ts = 1.2 - 8	□20.1 <sup>+0.1</sup> <sub>0</sub>	Ø22.5 <sup>+0.5</sup> <sub>0</sub>
25497	8mm	45	H = 08	GH = 18	Ts = 1.2 - 8	□20.1 <sup>+0.1</sup> <sub>0</sub>	Ø22.5 <sup>+0.5</sup> <sub>0</sub>
25498	8mm	45	H = 10	GH = 18	Ts = 1.2 - 8	□20.1 <sup>+0.1</sup> <sub>0</sub>	Ø22.5 <sup>+0.5</sup> <sub>0</sub>
25499	8mm	45	H = 13	GH = 18	Ts = 1.2 - 8	□20.1 <sup>+0.1</sup> <sub>0</sub>	Ø22.5 <sup>+0.5</sup> <sub>0</sub>
25500	8mm	45	H = 14	GH = 18	Ts = 1.2 - 8	□20.1 <sup>+0.1</sup> <sub>0</sub>	Ø22.5 <sup>+0.5</sup> <sub>0</sub>
25501	8mm	45	H = 16	GH = 18	Ts = 1.2 - 8	□20.1 <sup>+0.1</sup> <sub>0</sub>	Ø22.5 <sup>+0.5</sup> <sub>0</sub>
25502	8mm	45	H = 18	GH = 18	Ts = 1.2 - 8	□20.1 <sup>+0.1</sup> <sub>0</sub>	Ø22.5 <sup>+0.5</sup> <sub>0</sub>
25503	8mm	45	H = 20	GH = 18	Ts = 1.2 - 8	□20.1 <sup>+0.1</sup> <sub>0</sub>	Ø22.5 <sup>+0.5</sup> <sub>0</sub>
25504	8mm	45	H = 22	GH = 18	Ts = 1.2 - 8	□20.1 <sup>+0.1</sup> <sub>0</sub>	Ø22.5 <sup>+0.5</sup> <sub>0</sub>
25505	8mm	45	H = 24	GH = 18	Ts = 1.2 - 8	□20.1 <sup>+0.1</sup> <sub>0</sub>	Ø22.5 <sup>+0.5</sup> <sub>0</sub>
25506	8mm	45	H = 25	GH = 18	Ts = 1.2 - 8	□20.1 <sup>+0.1</sup> <sub>0</sub>	Ø22.5 <sup>+0.5</sup> <sub>0</sub>
25507	8mm	45	H = 26	GH = 18	Ts = 1.2 - 8	□20.1 <sup>+0.1</sup> <sub>0</sub>	Ø22.5 <sup>+0.5</sup> <sub>0</sub>
25508	8mm	45	H = 28	GH = 18	Ts = 1.2 - 8	□20.1 <sup>+0.1</sup> <sub>0</sub>	Ø22.5 <sup>+0.5</sup> <sub>0</sub>
25509	8mm	45	H = 30	GH = 18	Ts = 1.2 - 8	□20.1 <sup>+0.1</sup> <sub>0</sub>	Ø22.5 <sup>+0.5</sup> <sub>0</sub>
25510	8mm	45	H = 32	GH = 18	Ts = 1.2 - 8	□20.1 <sup>+0.1</sup> <sub>0</sub>	Ø22.5 <sup>+0.5</sup> <sub>0</sub>
25511	8mm	45	H = 34	GH = 18	Ts = 1.2 - 8	□20.1 <sup>+0.1</sup> <sub>0</sub>	Ø22.5 <sup>+0.5</sup> <sub>0</sub>
25512	8mm	45	H = 35	GH = 18	Ts = 1.2 - 8	□20.1 <sup>+0.1</sup> <sub>0</sub>	Ø22.5 <sup>+0.5</sup> <sub>0</sub>
25513	8mm	45	H = 36	GH = 18	Ts = 1.2 - 8	□20.1 <sup>+0.1</sup> <sub>0</sub>	Ø22.5 <sup>+0.5</sup> <sub>0</sub>
25514	8mm	45	H = 38	GH = 18	Ts = 1.2 - 8	□20.1 <sup>+0.1</sup> <sub>0</sub>	Ø22.5 <sup>+0.5</sup> <sub>0</sub>
25515	8mm	45	H = 40	GH = 18	Ts = 1.2 - 8	□20.1 <sup>+0.1</sup> <sub>0</sub>	Ø22.5 <sup>+0.5</sup> <sub>0</sub>
25516	8mm	45	H = 42	GH = 18	Ts = 1.2 - 8	□20.1 <sup>+0.1</sup> <sub>0</sub>	Ø22.5 <sup>+0.5</sup> <sub>0</sub>
25517	8mm	45	H = 44	GH = 18	Ts = 1.2 - 8	□20.1 <sup>+0.1</sup> <sub>0</sub>	Ø22.5 <sup>+0.5</sup> <sub>0</sub>
25518	8mm	45	H = 47	GH = 18	Ts = 1.2 - 8	□20.1 <sup>+0.1</sup> <sub>0</sub>	Ø22.5 <sup>+0.5</sup> <sub>0</sub>
25519	8mm	45	H = 50	GH = 18	Ts = 1.2 - 8	□20.1 <sup>+0.1</sup> <sub>0</sub>	Ø22.5 <sup>+0.5</sup> <sub>0</sub>

# Quarter Turn Locks - Square

27.c



Square Quarter Turn locks in chrome.

7mm and 8mm size options. Square Keys also available.

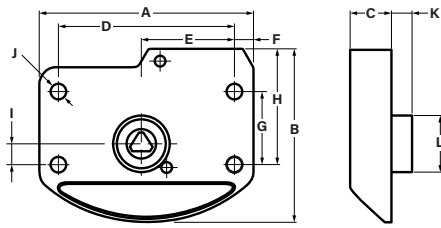
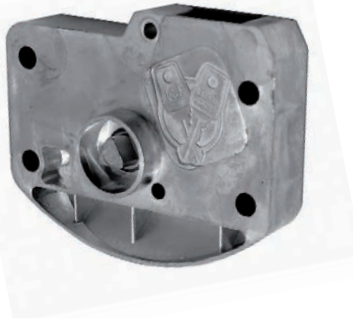
- IP65 rating
- 90° turn
- LH / RH

Part No.	Size
20406	Square Key - 7mm
20407	Square Key - 8mm

Part No.	Size	A	B	C	D	E	F
25520	7mm	45	H = 04	GH = 18	Ts = 1.2 - 8	□20.1 <sup>+0.1</sup> <sub>0</sub>	Ø22.5 <sup>+0.5</sup> <sub>0</sub>
25521	7mm	45	H = 06	GH = 18	Ts = 1.2 - 8	□20.1 <sup>+0.1</sup> <sub>0</sub>	Ø22.5 <sup>+0.5</sup> <sub>0</sub>
25522	7mm	45	H = 08	GH = 18	Ts = 1.2 - 8	□20.1 <sup>+0.1</sup> <sub>0</sub>	Ø22.5 <sup>+0.5</sup> <sub>0</sub>
25523	7mm	45	H = 10	GH = 18	Ts = 1.2 - 8	□20.1 <sup>+0.1</sup> <sub>0</sub>	Ø22.5 <sup>+0.5</sup> <sub>0</sub>
25524	7mm	45	H = 13	GH = 18	Ts = 1.2 - 8	□20.1 <sup>+0.1</sup> <sub>0</sub>	Ø22.5 <sup>+0.5</sup> <sub>0</sub>
25525	7mm	45	H = 14	GH = 18	Ts = 1.2 - 8	□20.1 <sup>+0.1</sup> <sub>0</sub>	Ø22.5 <sup>+0.5</sup> <sub>0</sub>
25526	7mm	45	H = 16	GH = 18	Ts = 1.2 - 8	□20.1 <sup>+0.1</sup> <sub>0</sub>	Ø22.5 <sup>+0.5</sup> <sub>0</sub>
25527	7mm	45	H = 18	GH = 18	Ts = 1.2 - 8	□20.1 <sup>+0.1</sup> <sub>0</sub>	Ø22.5 <sup>+0.5</sup> <sub>0</sub>
25528	7mm	45	H = 20	GH = 18	Ts = 1.2 - 8	□20.1 <sup>+0.1</sup> <sub>0</sub>	Ø22.5 <sup>+0.5</sup> <sub>0</sub>
25529	7mm	45	H = 22	GH = 18	Ts = 1.2 - 8	□20.1 <sup>+0.1</sup> <sub>0</sub>	Ø22.5 <sup>+0.5</sup> <sub>0</sub>
25530	7mm	45	H = 24	GH = 18	Ts = 1.2 - 8	□20.1 <sup>+0.1</sup> <sub>0</sub>	Ø22.5 <sup>+0.5</sup> <sub>0</sub>
25531	7mm	45	H = 25	GH = 18	Ts = 1.2 - 8	□20.1 <sup>+0.1</sup> <sub>0</sub>	Ø22.5 <sup>+0.5</sup> <sub>0</sub>
25532	7mm	45	H = 26	GH = 18	Ts = 1.2 - 8	□20.1 <sup>+0.1</sup> <sub>0</sub>	Ø22.5 <sup>+0.5</sup> <sub>0</sub>
25533	7mm	45	H = 28	GH = 18	Ts = 1.2 - 8	□20.1 <sup>+0.1</sup> <sub>0</sub>	Ø22.5 <sup>+0.5</sup> <sub>0</sub>
25534	7mm	45	H = 30	GH = 18	Ts = 1.2 - 8	□20.1 <sup>+0.1</sup> <sub>0</sub>	Ø22.5 <sup>+0.5</sup> <sub>0</sub>
25535	7mm	45	H = 32	GH = 18	Ts = 1.2 - 8	□20.1 <sup>+0.1</sup> <sub>0</sub>	Ø22.5 <sup>+0.5</sup> <sub>0</sub>
25536	7mm	45	H = 34	GH = 18	Ts = 1.2 - 8	□20.1 <sup>+0.1</sup> <sub>0</sub>	Ø22.5 <sup>+0.5</sup> <sub>0</sub>
25537	7mm	45	H = 35	GH = 18	Ts = 1.2 - 8	□20.1 <sup>+0.1</sup> <sub>0</sub>	Ø22.5 <sup>+0.5</sup> <sub>0</sub>
25538	7mm	45	H = 36	GH = 18	Ts = 1.2 - 8	□20.1 <sup>+0.1</sup> <sub>0</sub>	Ø22.5 <sup>+0.5</sup> <sub>0</sub>
25539	7mm	45	H = 38	GH = 18	Ts = 1.2 - 8	□20.1 <sup>+0.1</sup> <sub>0</sub>	Ø22.5 <sup>+0.5</sup> <sub>0</sub>
25540	7mm	45	H = 40	GH = 18	Ts = 1.2 - 8	□20.1 <sup>+0.1</sup> <sub>0</sub>	Ø22.5 <sup>+0.5</sup> <sub>0</sub>
25541	7mm	45	H = 42	GH = 18	Ts = 1.2 - 8	□20.1 <sup>+0.1</sup> <sub>0</sub>	Ø22.5 <sup>+0.5</sup> <sub>0</sub>
25542	7mm	45	H = 44	GH = 18	Ts = 1.2 - 8	□20.1 <sup>+0.1</sup> <sub>0</sub>	Ø22.5 <sup>+0.5</sup> <sub>0</sub>
25543	7mm	45	H = 47	GH = 18	Ts = 1.2 - 8	□20.1 <sup>+0.1</sup> <sub>0</sub>	Ø22.5 <sup>+0.5</sup> <sub>0</sub>
25544	7mm	45	H = 50	GH = 18	Ts = 1.2 - 8	□20.1 <sup>+0.1</sup> <sub>0</sub>	Ø22.5 <sup>+0.5</sup> <sub>0</sub>
25545	8mm	45	H = 04	GH = 18	Ts = 1.2 - 8	□20.1 <sup>+0.1</sup> <sub>0</sub>	Ø22.5 <sup>+0.5</sup> <sub>0</sub>
25546	8mm	45	H = 06	GH = 18	Ts = 1.2 - 8	□20.1 <sup>+0.1</sup> <sub>0</sub>	Ø22.5 <sup>+0.5</sup> <sub>0</sub>
25547	8mm	45	H = 08	GH = 18	Ts = 1.2 - 8	□20.1 <sup>+0.1</sup> <sub>0</sub>	Ø22.5 <sup>+0.5</sup> <sub>0</sub>
25548	8mm	45	H = 10	GH = 18	Ts = 1.2 - 8	□20.1 <sup>+0.1</sup> <sub>0</sub>	Ø22.5 <sup>+0.5</sup> <sub>0</sub>
25549	8mm	45	H = 13	GH = 18	Ts = 1.2 - 8	□20.1 <sup>+0.1</sup> <sub>0</sub>	Ø22.5 <sup>+0.5</sup> <sub>0</sub>
25550	8mm	45	H = 14	GH = 18	Ts = 1.2 - 8	□20.1 <sup>+0.1</sup> <sub>0</sub>	Ø22.5 <sup>+0.5</sup> <sub>0</sub>
25551	8mm	45	H = 16	GH = 18	Ts = 1.2 - 8	□20.1 <sup>+0.1</sup> <sub>0</sub>	Ø22.5 <sup>+0.5</sup> <sub>0</sub>
25552	8mm	45	H = 18	GH = 18	Ts = 1.2 - 8	□20.1 <sup>+0.1</sup> <sub>0</sub>	Ø22.5 <sup>+0.5</sup> <sub>0</sub>
25553	8mm	45	H = 20	GH = 18	Ts = 1.2 - 8	□20.1 <sup>+0.1</sup> <sub>0</sub>	Ø22.5 <sup>+0.5</sup> <sub>0</sub>
25554	8mm	45	H = 22	GH = 18	Ts = 1.2 - 8	□20.1 <sup>+0.1</sup> <sub>0</sub>	Ø22.5 <sup>+0.5</sup> <sub>0</sub>
25555	8mm	45	H = 24	GH = 18	Ts = 1.2 - 8	□20.1 <sup>+0.1</sup> <sub>0</sub>	Ø22.5 <sup>+0.5</sup> <sub>0</sub>
25556	8mm	45	H = 25	GH = 18	Ts = 1.2 - 8	□20.1 <sup>+0.1</sup> <sub>0</sub>	Ø22.5 <sup>+0.5</sup> <sub>0</sub>
25557	8mm	45	H = 26	GH = 18	Ts = 1.2 - 8	□20.1 <sup>+0.1</sup> <sub>0</sub>	Ø22.5 <sup>+0.5</sup> <sub>0</sub>
25558	8mm	45	H = 28	GH = 18	Ts = 1.2 - 8	□20.1 <sup>+0.1</sup> <sub>0</sub>	Ø22.5 <sup>+0.5</sup> <sub>0</sub>
25559	8mm	45	H = 30	GH = 18	Ts = 1.2 - 8	□20.1 <sup>+0.1</sup> <sub>0</sub>	Ø22.5 <sup>+0.5</sup> <sub>0</sub>
25560	8mm	45	H = 32	GH = 18	Ts = 1.2 - 8	□20.1 <sup>+0.1</sup> <sub>0</sub>	Ø22.5 <sup>+0.5</sup> <sub>0</sub>
25561	8mm	45	H = 34	GH = 18	Ts = 1.2 - 8	□20.1 <sup>+0.1</sup> <sub>0</sub>	Ø22.5 <sup>+0.5</sup> <sub>0</sub>
25562	8mm	45	H = 35	GH = 18	Ts = 1.2 - 8	□20.1 <sup>+0.1</sup> <sub>0</sub>	Ø22.5 <sup>+0.5</sup> <sub>0</sub>
25563	8mm	45	H = 36	GH = 18	Ts = 1.2 - 8	□20.1 <sup>+0.1</sup> <sub>0</sub>	Ø22.5 <sup>+0.5</sup> <sub>0</sub>
25564	8mm	45	H = 38	GH = 18	Ts = 1.2 - 8	□20.1 <sup>+0.1</sup> <sub>0</sub>	Ø22.5 <sup>+0.5</sup> <sub>0</sub>
25565	8mm	45	H = 40	GH = 18	Ts = 1.2 - 8	□20.1 <sup>+0.1</sup> <sub>0</sub>	Ø22.5 <sup>+0.5</sup> <sub>0</sub>
25566	8mm	45	H = 42	GH = 18	Ts = 1.2 - 8	□20.1 <sup>+0.1</sup> <sub>0</sub>	Ø22.5 <sup>+0.5</sup> <sub>0</sub>
25567	8mm	45	H = 44	GH = 18	Ts = 1.2 - 8	□20.1 <sup>+0.1</sup> <sub>0</sub>	Ø22.5 <sup>+0.5</sup> <sub>0</sub>
25568	8mm	45	H = 47	GH = 18	Ts = 1.2 - 8	□20.1 <sup>+0.1</sup> <sub>0</sub>	Ø22.5 <sup>+0.5</sup> <sub>0</sub>
25569	8mm	45	H = 50	GH = 18	Ts = 1.2 - 8	□20.1 <sup>+0.1</sup> <sub>0</sub>	Ø22.5 <sup>+0.5</sup> <sub>0</sub>

# Universal Bin Lock

28.



This unique design which can be cleverly set to operate in Deadlock or Slamlock mode at the point of fitment consist of a pressure die cast housing for ultimate durability, steel back plate which is riveted directly to the housing for strength. Internal components are produced by pressure die casting for durability and smooth action.

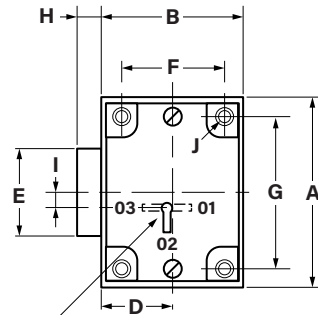
- Clean lines attract less contamination
- Accepts most common striker hooks
- Universal fixing pattern for 6mm screws or rivets
- LH / RH



Part No.	A	B	C	D	E	F	G	H	I	J	K	L
25580	82	66.5	16.3	68	36	7	28	44	8	Ø6	7.5	22

# Safe Lock

29.a



Other key and movement specifications upon request.

- 7 lever
- Key to pass



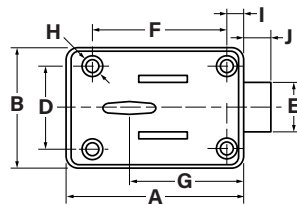
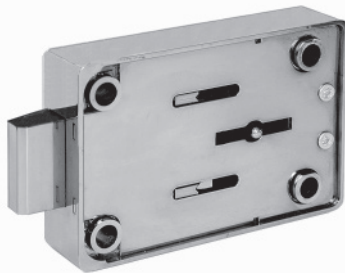
ALTERNATIVE KEYHOLE POSITIONS

Part No.	A	B	C	D	E	F	G	H	I	J	K	L
23302	81	60.3	9.5	27.8	37.3	44.4	65	11	6.4	Ø6	16.5	5.4

LOCKS

# Safe Lock

29.b



An 8 lever safe lock fitted with anti-pick levers as standard, this lock has been tested and certified to a VDS class 1 rating. This means the lock is suitable for use in safes and other high security applications.

Other key specifications upon request.

- 8 lever
- 80,000 combinations
- Standard movements: 6, 8
- Key retained and to differ
- LH / RH



Part No.	LH/RH	A	B	C	D	E	F	G	H	I	J	K	L	M	N
22735	LH	88	60	22	41	25	66.7	57.3	Ø6.5	8	13.5	'A'	13.5	7	12.5
22767	RH	88	60	22	41	25	66.7	57.3	Ø6.5	8	13.5	'A'	13.5	7	12.5

\*'A' Dimension specification: Double bitted key available in four lengths 15, 40, 70 or 115mm

# Camlocks

30.



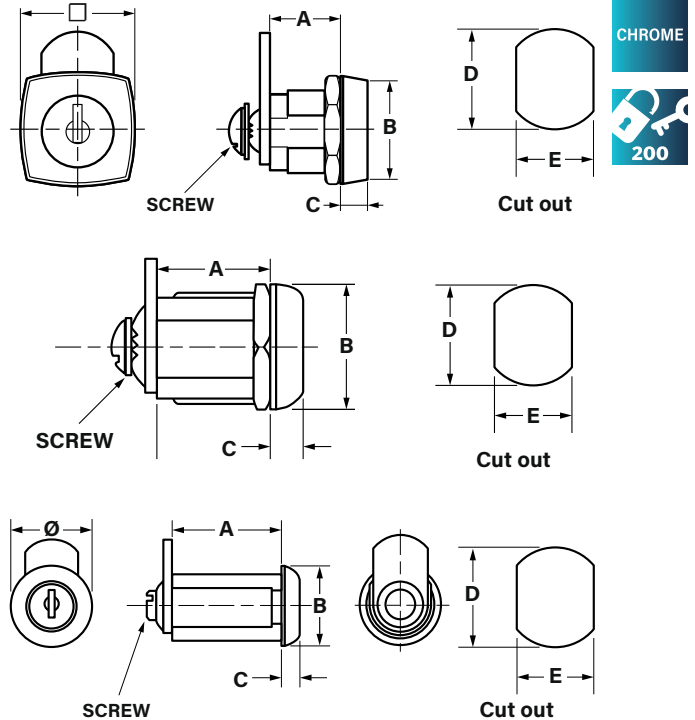
21883



21879



21881



A series of Camlocks in various sizes available in bright chrome.

- 200 lock combinations
- Keyed 92 series

Ideal for numerous applications such as lockers, heavy duty vehicles, metal office furniture and medical furniture.

Part No.	A	B	C	D	E
21883	16	□24	7	Ø19.1 min	Ø16 min
21879	20	Ø22	5	Ø19.1 min	Ø16.5 min
23167	27	Ø22	5	Ø19.1 min	Ø16.6 min
21881	32	Ø22	5	Ø19.1 min	Ø16.6 min

## STABILUS

and



*Your partners in gas spring control*

Specialist distributor for the world leader in gas spring technology and innovation.

Call today for a demonstration and see how FA Parkes and Stabilus can enhance your product.

**"Selected and configured to your requirements!"**

- Wide product range
- Application assistance
- Full design service
- Configurable
- Globally proven
- Competitive pricing
- Available from stock

See pages 56 - 58

# Compression Locks



31.

25630



Square

25049 / 25631



Triangle

25632 / 24968



Double Bit

25633

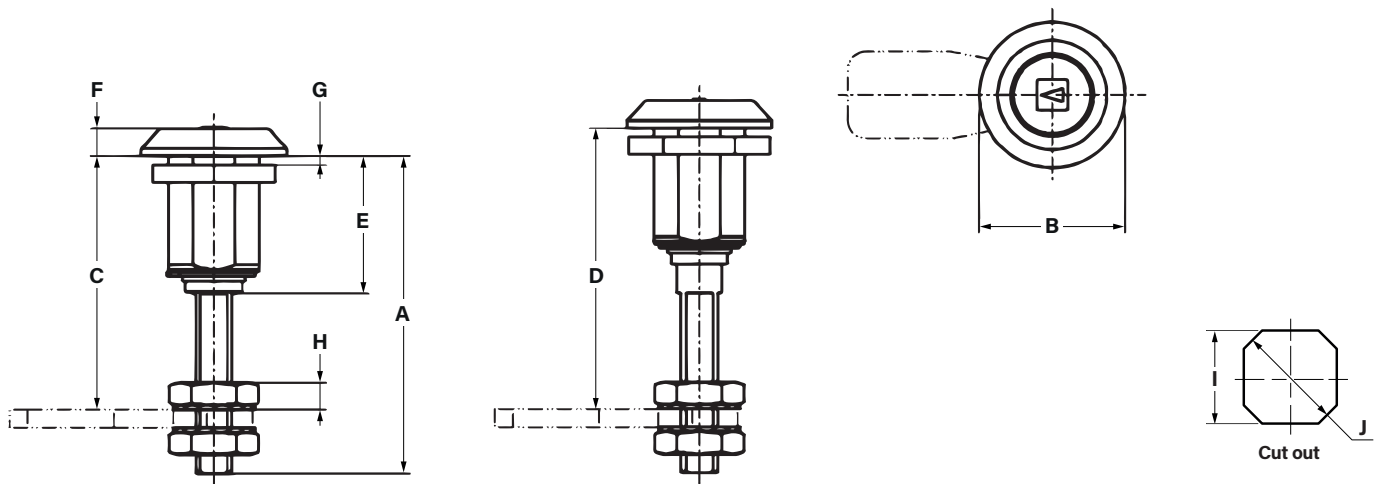


Hexagon Female

25634



Tubular



These Compression Locks are of a vibration-proof design with adjustable cam.

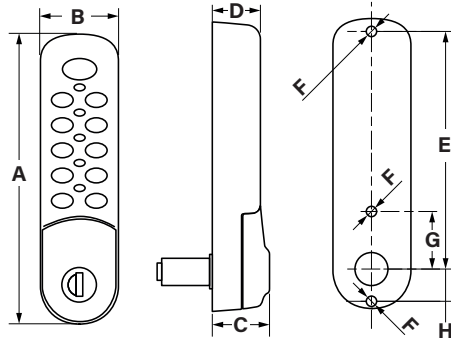
Housing and insert: black powder coated zinc alloy, washer, nut and screw: zinc plated mild steel.

- IP65 rating
- Available in Square, Triangular, Double Bit, Hexagon and Tubular styles
- LH / RH

Part No.	Style	Size	A	B	C	D	E	F	G	H	I	J
25630	Square	8	70	Ø32	H	H + 6	GH = 31	6	Ts = 1.5 - 20	6	□20.1 <sup>+0.1</sup> <sub>0</sub>	Ø22.5 <sup>+0.5</sup> <sub>0</sub>
25049	Triangle	7	70	Ø32	H	H + 6	GH = 31	6	Ts = 1.5 - 20	6	□20.1 <sup>+0.1</sup> <sub>0</sub>	Ø22.5 <sup>+0.5</sup> <sub>0</sub>
25631	Triangle	8	70	Ø32	H	H + 6	GH = 31	6	Ts = 1.5 - 20	6	□20.1 <sup>+0.1</sup> <sub>0</sub>	Ø22.5 <sup>+0.5</sup> <sub>0</sub>
25632	Double Bit	3	70	Ø32	H	H + 6	GH = 31	6	Ts = 1.5 - 20	6	□20.1 <sup>+0.1</sup> <sub>0</sub>	Ø22.5 <sup>+0.5</sup> <sub>0</sub>
24968	Double Bit	5	70	Ø32	H	H + 6	GH = 31	6	Ts = 1.5 - 20	6	□20.1 <sup>+0.1</sup> <sub>0</sub>	Ø22.5 <sup>+0.5</sup> <sub>0</sub>
25633	Hexagon Female	8	70	Ø32	H	H + 6	GH = 31	6	Ts = 1.5 - 20	6	□20.1 <sup>+0.1</sup> <sub>0</sub>	Ø22.5 <sup>+0.5</sup> <sub>0</sub>
25634	Tubular	-	70	Ø32	H	H + 6	GH = 31	6	Ts = 1.5 - 20	6	□20.1 <sup>+0.1</sup> <sub>0</sub>	Ø22.5 <sup>+0.5</sup> <sub>0</sub>

## Digital Combination Lock

32.



The Digital Combination Lock is a convenient, easy to use and versatile locking system that has all the standard features you would expect of a DCL plus many, many more.

Applications include enclosures, metal and wooden office furniture and postal.

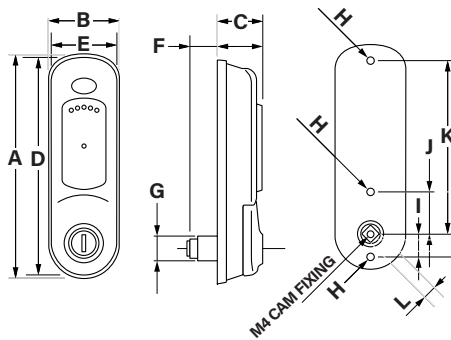


- 4 digit user codes
- 6 digit sub-master code
- 8 digit master code
- 10-button keypad
- Battery condition indication

Part No.	A	B	C	D	E	F	G	H
51957	136	37	27	23	112	Ø5	27	15

## RFID Digital Lock

33.



RFID Digital Combination Lock provides contactless RFID locking in a slim and attractive footprint.

Can be used independently or paired with existing wireless systems.

Suitable for commercial and office environments, lockers and enclosures.



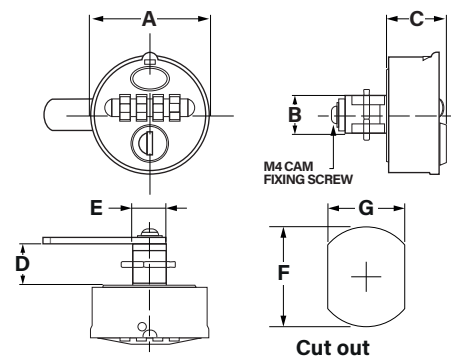
- Mechanical override lock
- Wide variety of cams
- Battery condition indicator
- LH / RH or vertical fixing

Part No.	A	B	C	D	E	F	G	H	I	J	K	L
59313	145	46	30	140	41	17/20/21/24*	Ø16	M3	15	27	112	□8

\*NEW spindle lengths now available: 17mm, 20mm, 21mm & 24mm

## Mechanical Combination Lock

34.



The Mechanical Combination Lock is a 4 wheel combination lock featuring up to 10,000 unique combinations.

With a robust design, range of options and simplicity of use this lock is suitable for a broad range of applications including lockers and office furniture.



- 10,000 lock combinations
- Code finding feature
- LH / RH

Part No.	A	B	C	D	E	F	G
59893	Ø56	Ø19	28	20	15.9 A/F	Ø19.1 MIN	16.0 A/F MIN

# Radial Pin Tumbler Lock

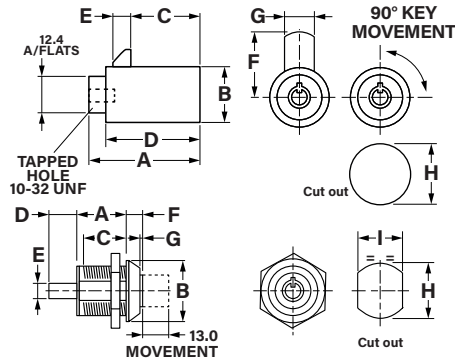
35.



Barrel type



Plunger type



Ideal for use on applications such as cash management or anywhere high security is required.

Other specifications available.

Anti-drill feature available on request.

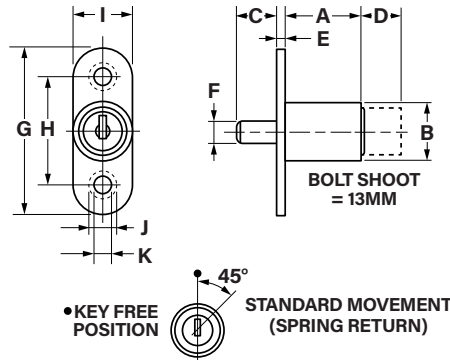
- Bright chrome finish
- 10,000 lock combinations



Part No.	Style	A	B	C	D	E	F	G	H	I
23490	Barrel type	38.1	Ø19	23.3	32.4	6.4	15.6	6.4	Ø19.2 min	-
22840	Plunger type	22.5	Ø28	19.5	13	Ø7.1	6	0.8	Ø24.2 min	20 A/F min

# Slide Door Locks

36.a



A 24mm Sliding Door Lock in bright chrome.

This lock is ideal for use on furniture with sliding door features such as cabinets and cupboards.

- 200 lock combinations
- Push to lock operation

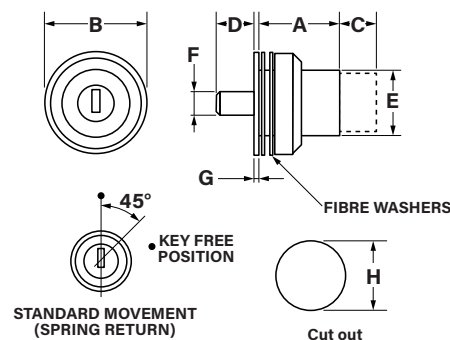


Part No.	Style	A	B	C	D	E	F	G	H	I	J	K
23871	Keyed to differ	24	Ø19	13	13	2.5	7	50	35	19	Ø8.5	Ø5.8
23872	Keyed to pass	24	Ø19	13	13	2.5	7	50	35	19	Ø8.5	Ø5.8

LOCKS

# Glass Sliding Door Locks

36.b



A 26mm Sliding Glass Door Lock in bright chrome.

This lock is suitable for fixing to glass panels 3.0-6.0mm thick and is ideal for use on glass doors in cupboards or cabinets.

- 200 lock combinations
- Push to lock operation

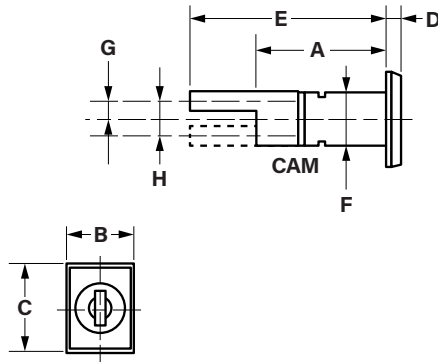


Part No.	Style	A	B	C	D	E	F	G	H
23843	Keyed to differ	26	Ø34	12.5	12.5	Ø22	Ø8	1.5	Ø30 min
23844	Keyed to pass	26	Ø34	12.5	12.5	Ø22	Ø8	1.5	Ø30 min



## Pedestal Locks

37.a



A 31mm Pedestal Lock in satin chrome.

CHROME

This lock works with a locking bar and is ideal for items such as desk drawer units.



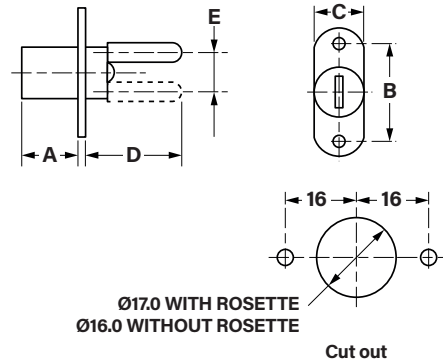
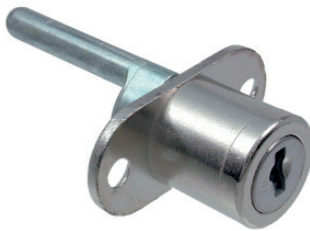
\*Actuator lengths available: 41 or 47mm

- 200 lock combinations
- Satin chrome finish

Part No.	Style	A	B	C	D	E	F	G	H
23845	Keyed to pass	31	17	23	3	*41/47	Ø12.9	4 CTRS	8 CTRS
23846	Keyed to differ	31	17	23	3	*41/47	Ø12.9	4 CTRS	8 CTRS

## Pedestal Locks

37.b



A 19-23mm vertical Pedestal Lock available in a variety of actuator lengths.

NICKEL

This lock is ideal for use on desk drawer units.



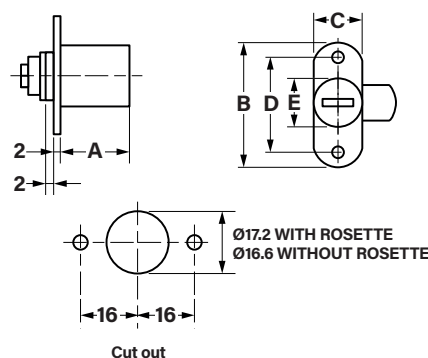
\*Actuator lengths available: 20, 25, 32, 40, 45 or 55mm

- Standard movements: 3, 4
- 200 lock combinations
- Rosette available on request
- Double flange

Part No.	Style	A	B	C	D	E
23847	Keyed to differ	19	32	16.5	*20/25/32/40/45/55	12.5
23848	Keyed to pass	19	32	16.5	*20/25/32/40/45/55	12.5
23849	Keyed to differ	23	32	16.5	*20/25/32/40/45/55	12.5
23850	Keyed to pass	23	32	16.5	*20/25/32/40/45/55	12.5

## Tambour Locks

38.



A 19mm horizontal Tambour Lock in nickel plated.

NICKEL

This lock is ideal for use on tambour door cupboards and cabinets.

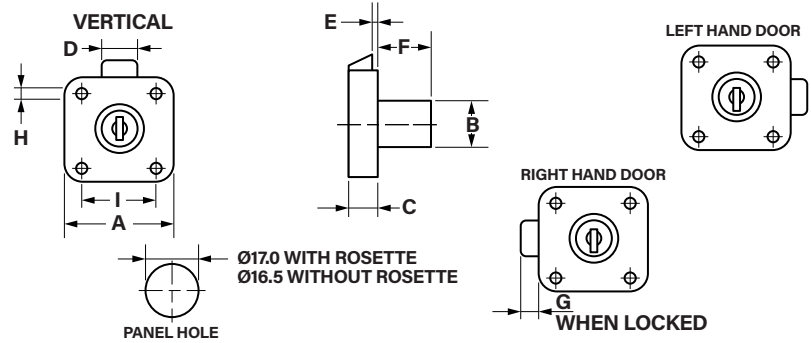


- Standard movements: 8, 9
- 200 lock combinations
- Push to lock operation
- Double flange

Part No.	Style	A	B	C	D	E
23873	Keyed to differ	19	42	16.3	32	16.3
23874	Keyed to pass	19	42	16.3	32	16.3

# Rim Locks - Slam Action

39.a



A 19mm Slam Action Rim Lock in bright chrome.

- Chrome plated
- LH / RH or vertical fixing

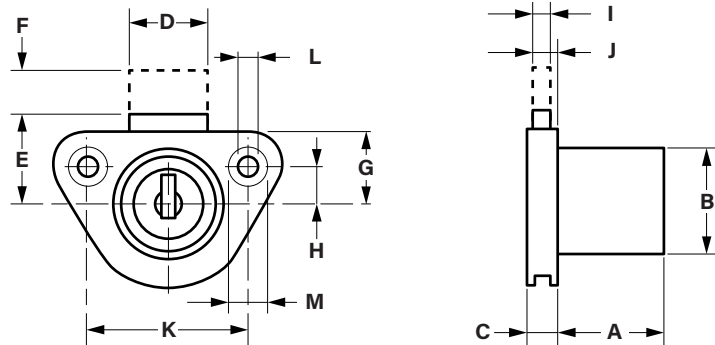
This lock will automatically lock when closed (or slammed) making it ideal for cupboards and cabinets.

Part No.	Style	Style	A	B	C	D	E	F	G	H	I
23851	Vertical	Keyed to differ	□38	Ø16.3	10.6	12	2.1	19	6	Ø3.3	□27
23852	Vertical	Keyed to pass	□38	Ø16.3	10.6	12	2.1	19	6	Ø3.3	□27
23853	LH	Keyed to differ	□38	Ø16.3	10.6	12	2.1	19	6	Ø3.3	□27
23854	LH	Keyed to pass	□38	Ø16.3	10.6	12	2.1	19	6	Ø3.3	□27
23855	RH	Keyed to differ	□38	Ø16.3	10.6	12	2.1	19	6	Ø3.3	□27
23856	RH	Keyed to pass	□38	Ø16.3	10.6	12	2.1	19	6	Ø3.3	□27

LOCKS

# Rim Locks

39.b



A 22mm Rim Lock available in nickel.

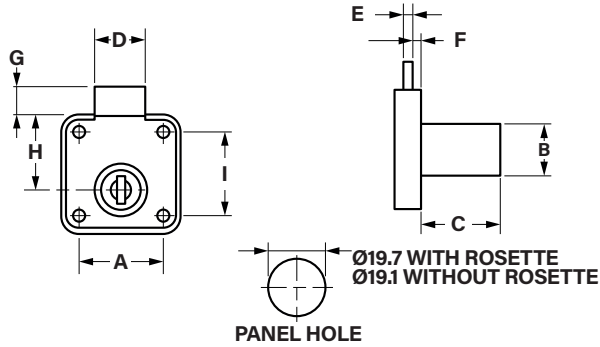
- Mastered
- Nickel plated

This lock is also available with a locking bar making it ideal for use on cupboards and cabinets.

Part No.	Style	A	B	C	D	E	F	G	H	I	J	K	L	M
23857	Keyed to differ	22	Ø22	6	16	19	9	15	7.8	3	4.8	33.3	Ø4.3	Ø8
23858	Keyed to pass	22	Ø22	6	16	19	9	15	7.8	3	4.8	33.3	Ø4.3	Ø8

# Rim Locks

39.c



A 22mm Rim Lock in bright nickel.

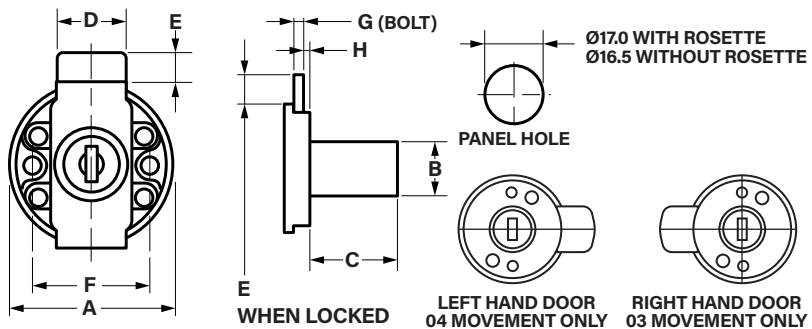
This lock is ideal for use on items such as cupboards and cabinets.

- Mastered
- Nickel plated
- LH / RH

Part No.	LH/RH	Style	A	B	C	D	E	F	G	H	I
23859	-	Keyed to differ	31	Ø18.7	22	16	4.2	2.5	9	24	31
23860	-	Keyed to pass	31	Ø18.7	22	16	4.2	2.5	9	24	31
23861	LH	Keyed to differ	31	Ø18.7	22	16	4.2	2.5	9	24	31
23862	LH	Keyed to pass	31	Ø18.7	22	16	4.2	2.5	9	24	31
23863	RH	Keyed to differ	31	Ø18.7	22	16	4.2	2.5	9	24	31
23864	RH	Keyed to pass	31	Ø18.7	22	16	4.2	2.5	9	24	31

# Rim Locks

39.d



A 19-25mm Rim Lock in nickel.

This lock is ideal for use on items such as cupboards and cabinets.

- Nickel plated
- LH / RH

Part No.	LH/RH	Style	A	B	C	D	E	F	G	H
23865	-	Keyed to differ	37.5	16.3	26	15.9	9	27	2.5	1.7
23866	-	Keyed to pass	37.5	16.3	26	15.9	9	27	2.5	1.7
23867	LH	Keyed to differ	37.5	16.3	19	15.9	12	27	2.5	1.7
23868	LH	Keyed to pass	37.5	16.3	19	15.9	12	27	2.5	1.7
23869	RH	Keyed to differ	37.5	16.3	19	15.9	12	27	2.5	1.7
23870	RH	Keyed to pass	37.5	16.3	19	15.9	12	27	2.5	1.7

# STABILUS

Your expert for gas struts, dampers and electromechanical drives.



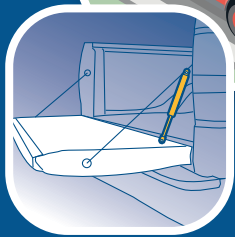
Medical



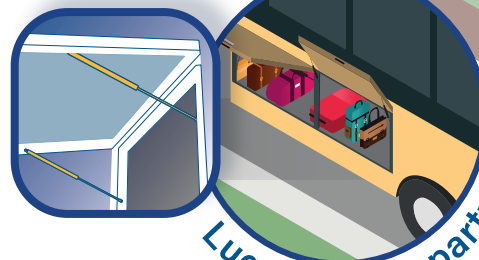
Signage



Vehicle Access

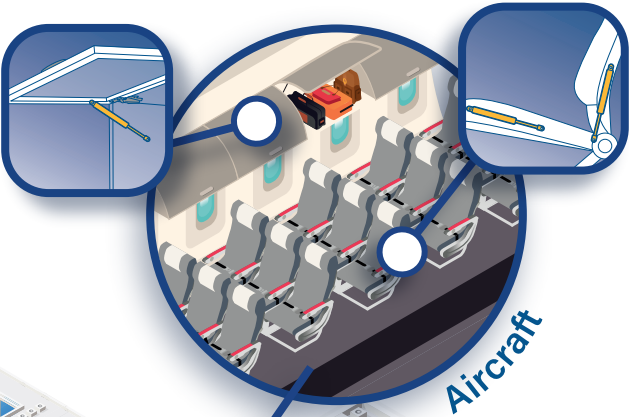


Seating



Luggage Compartments

**STABILUS** gas springs and dampers are found in countless applications throughout dozens of industries that demand the very best in high quality and innovation solutions. Whether it's in a hospital or vehicle, an office or factory, in a restaurant or even your own household, chances are you'll never be very far from a Stabilus product!



Aircraft

## LIFT-O-MAT®

Lifting, lowering, moving, adjusting



## BLOC-O-LIFT®

Variable positioning, rigid or spring blocking



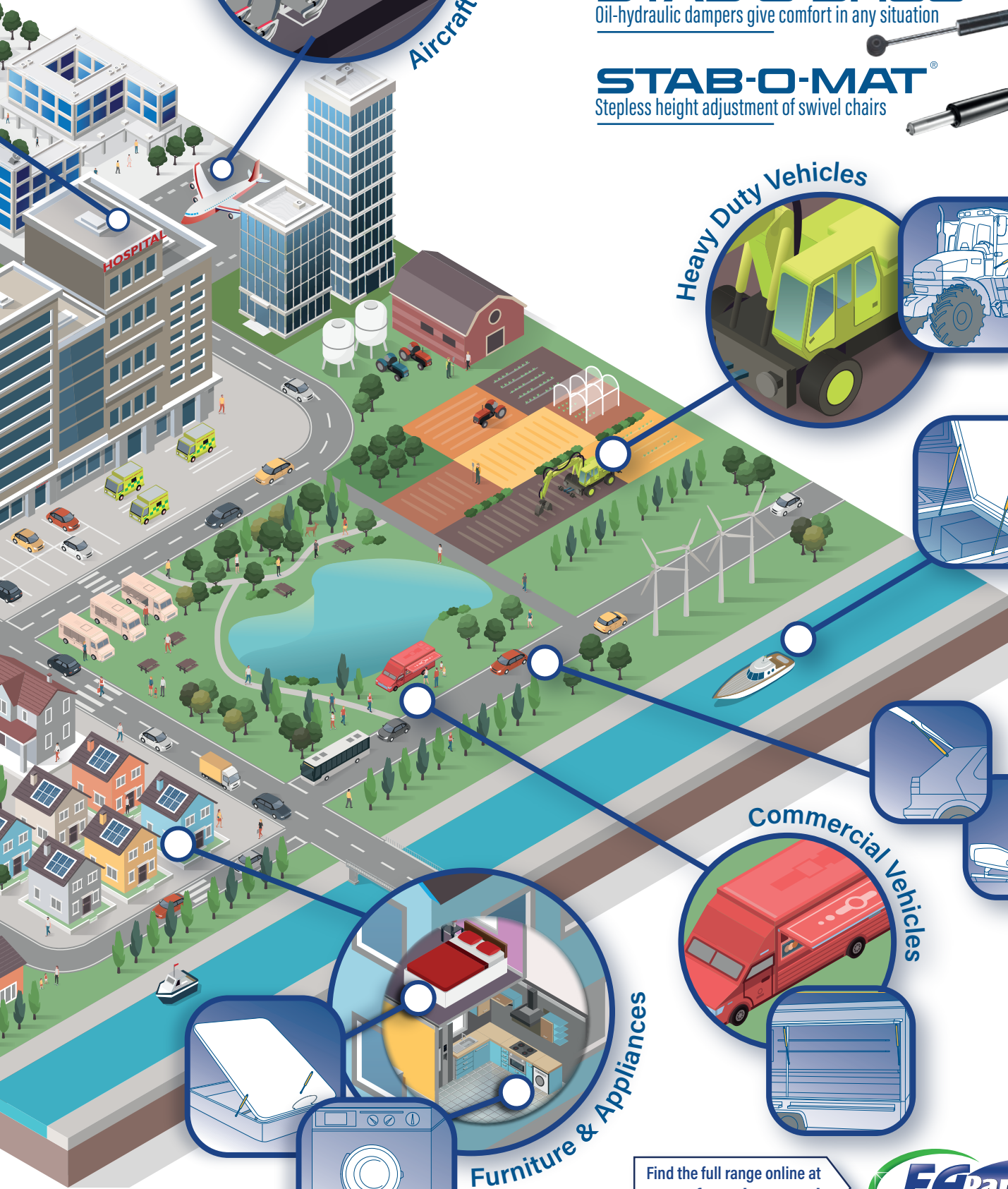
## STAB-O-SHOC®

Oil-hydraulic dampers give comfort in any situation

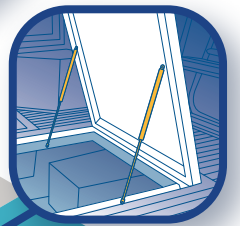


## STAB-O-MAT®

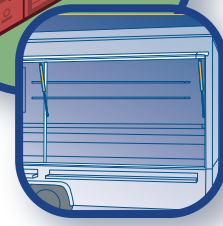
Stepless height adjustment of swivel chairs



Heavy Duty Vehicles



Commercial Vehicles



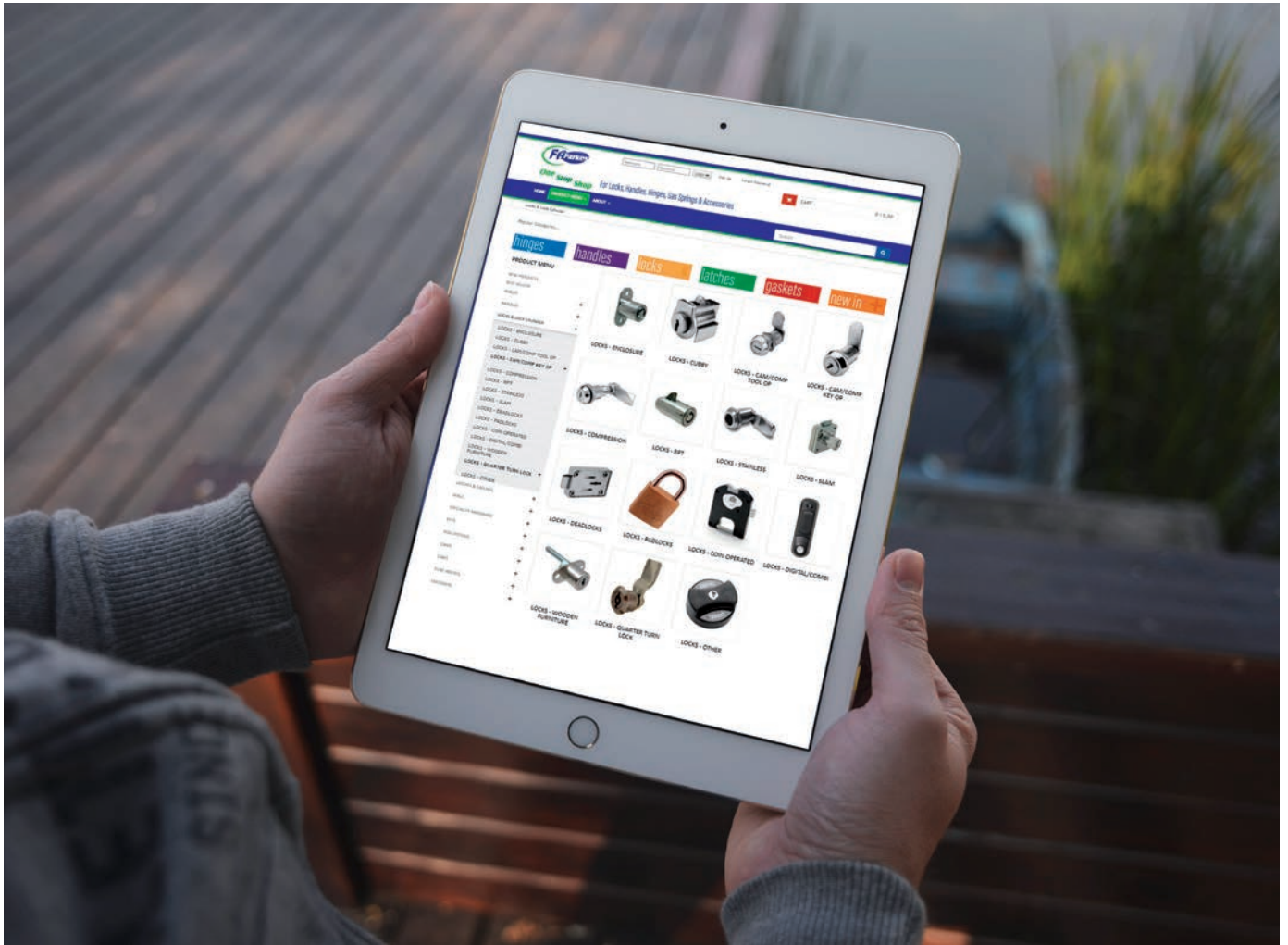
Furniture & Appliances



Find the full range online at [www.faparkes.co.uk](http://www.faparkes.co.uk)



# We have THOUSANDS more products online



Can't find what you're looking for?  
Go to [faparkes.co.uk](http://faparkes.co.uk) to see our full range.



# Latches & Catches



## Gas Springs



40.

Page 56-58

## Drawer Slides



41.

Page 59-63

## Support Stay



42.

Page 64

## Miniature Stay



43.

Page 64

## Cover Stay



44.

Page 65

## Door Securing



45.

Page 65

## Spring Lock



46.

Page 65

## Spring Lock (with finger pull)



47.

Page 66

## Surface-Mount Slam Latch



48.

Page 66

## Rod Latches



49.

Page 66-67

## Budget Latch



50.

Page 67

## Compression Lever Latch



51.

Page 68

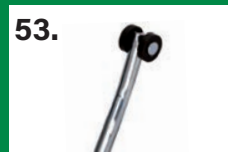
## Toggle Catch and Hook



52.

Page 69

## Rod and Roller



53.

Page 69

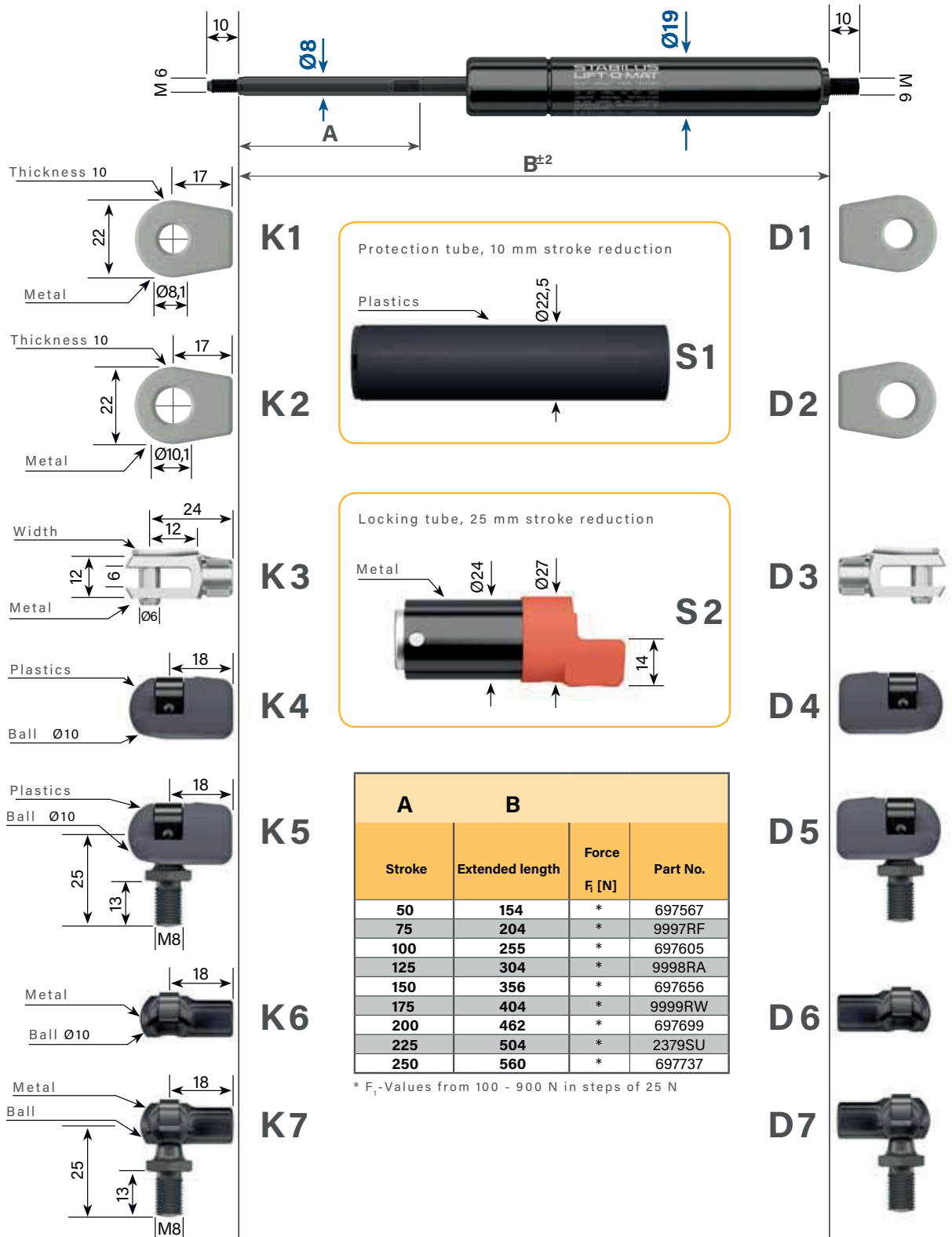
Ready to order? Buy from us direct at [faparkes.co.uk](http://faparkes.co.uk) or call us on +44 (0)1942 681 996.

# Gas Springs

40.a

Gas Springs - LIFT-O-MAT

Other specs available on request. Contact [sales@faparkes.co.uk](mailto:sales@faparkes.co.uk) for details.



### Ordering example

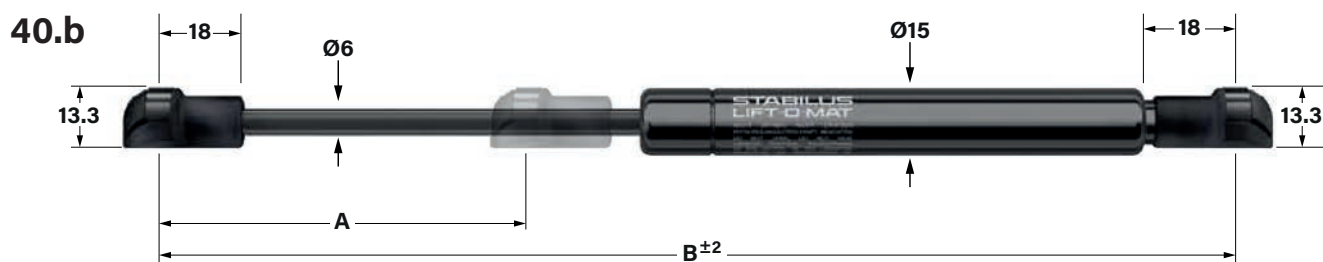
123456	/	0350N	/	K2	/	D1	/	S1
Ref.-No.		$F_1$		Piston rod end fitting		Pressure tube end fitting		Optional tube

Installation according to STAB-Spec. 10005630

LATCHES & CATCHES



# Gas Springs



LIFT-O-MAT gas springs are non-locking. They can control the extension force and damping action depending on the function, ensuring user-friendly motion sequences.

• Suitable for ball studs according to DIN 71803 Ø10

Applications include doors and flaps in mechanical engineering and process technology, the automotive sector, medical technology and the furniture industry.

Part No.	A Stroke Hub	B Extended Length	C Force [N]
25362	20	115.5	50
25363	20	115.5	100
25364	20	115.5	150
25365	20	115.5	200
25366	20	115.5	250
25367	20	115.5	300
25368	20	115.5	350
25369	20	115.5	400
25370	40	155.5	50
25371	40	155.5	100
25372	40	155.5	150
25373	40	155.5	200
25374	40	155.5	250
25375	40	155.5	300
25376	40	155.5	350
25377	40	155.5	400
25378	60	195.5	50
25379	60	195.5	100
25380	60	195.5	150
25381	60	195.5	200
25382	60	195.5	250
25383	60	195.5	300
25384	60	195.5	350
25385	60	195.5	400
25386	80	235.5	50
25387	80	235.5	100
25388	80	235.5	150
25389	80	235.5	200
25390	80	235.5	250
25391	80	235.5	300
25392	80	235.5	350
25393	80	235.5	400

Part No.	A Stroke Hub	B Extended Length	C Force [N]
25394	100	275.5	50
25395	100	275.5	100
25396	100	275.5	150
25397	100	275.5	200
25398	100	275.5	250
25399	100	275.5	300
25400	100	275.5	350
25401	100	275.5	400
25402	120	315.5	50
25403	120	315.5	100
25404	120	315.5	150
25405	120	315.5	200
25406	120	315.5	250
25407	120	315.5	300
25408	120	315.5	350
25409	120	315.5	400
25410	150	375.5	50
25411	150	375.5	100
25412	150	375.5	150
25413	150	375.5	200
25414	150	375.5	250
25415	150	375.5	300
25416	150	375.5	350
25417	150	375.5	400

STABILUS and

Your partners in gas spring control.

Specialist distributor for the world leader in gas spring technology and innovation.

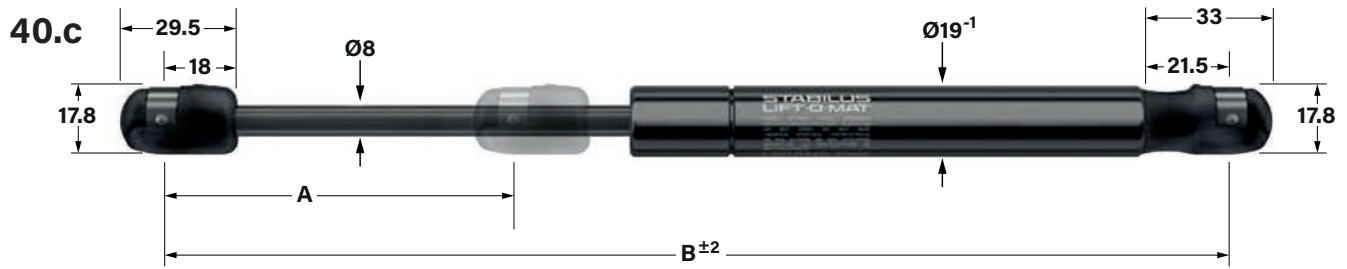
Call today for a demonstration and see how FA Parkes and Stabilus can enhance your product.

"Selected and configured to your requirements!"

- Wide product range
- Application assistance
- Full design service
- Configurable
- Globally proven
- Competitive pricing
- Available from stock

LATCHES & CATCHES

# Gas Springs



LIFT-O-MAT gas springs are non-locking. They can control the extension force and damping action depending on the function, ensuring user-friendly motion sequences.

• Suitable for ball studs according to DIN 71803 Ø10

Applications include doors and flaps in mechanical engineering and process technology, the automotive sector, medical technology and the furniture industry.

Part No.	A Stroke Hub	B Extended Length	C Force [N]
42798	60	205	500
42800	60	205	600
42803	60	205	700
42805	60	205	800
37688	80	245	100
48737	80	245	150
41153	80	245	200
48738	80	245	250
41155	80	245	300
41158	80	245	350
48739	80	245	400
48740	80	245	500
48741	80	245	600
42812	80	245	700
42814	80	245	800
48742	100	285	100
48743	100	285	150
41162	100	285	200
48744	100	285	250
41165	100	285	300
41167	100	285	350
48745	100	285	400
48746	100	285	500
48747	100	285	600
42816	100	285	700
42819	100	285	800

Part No.	A Stroke Hub	B Extended Length	C Force [N]
48748	120	325	100
48749	120	325	150
41168	120	325	200
48750	120	325	250
41171	120	325	300
41172	120	325	350
48751	120	325	400
48752	120	325	500
48753	120	325	600
42821	120	325	700
42822	120	325	800
57346	140	365	100
57348	140	365	150
53328	140	365	200
53424	140	365	250
43147	140	365	300
57351	140	365	350
42823	140	365	400
42825	140	365	500
42828	140	365	600
42830	140	365	700
42831	140	365	800

LATCHES & CATCHES

**STABILUS** and **FA Parkes**  
Your partners in gas spring control.

Specialist distributor for the world leader in gas spring technology and innovation.

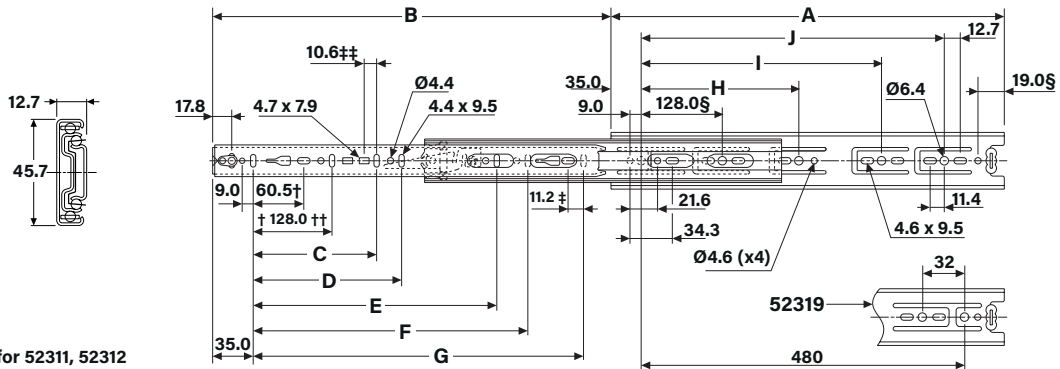
Call today for a demonstration and see how FA Parkes and Stabilus can enhance your product.

*"Selected and configured to your requirements!"*

- Wide product range
- Application assistance
- Full design service
- Configurable
- Globally proven
- Competitive pricing
- Available from stock

# Drawer Slide - Light Duty

41.a



§ 52311 = 77.2mm  
 §§ Hole not available for 52311, 52312

This Light Duty cabinet Drawer Slide is complete with greater strength and movement, full-extension and a lever disconnect feature. This model fits a wide range of applications and drawer sizes, including pull-out shelves, kitchen utensil drawers and point-of-sales trays.

- Load rating of up to 50kg
- 100% extension
- 12.7mm slide thickness (14mm with mounting bracket)
- Front disconnect feature
- Hold-in
- Cam drawer adjust (3.2mm)

With a hold-in detent preventing roll-out and bounce back, and the silent operation puts this model at the forefront of high-performance movement solutions.

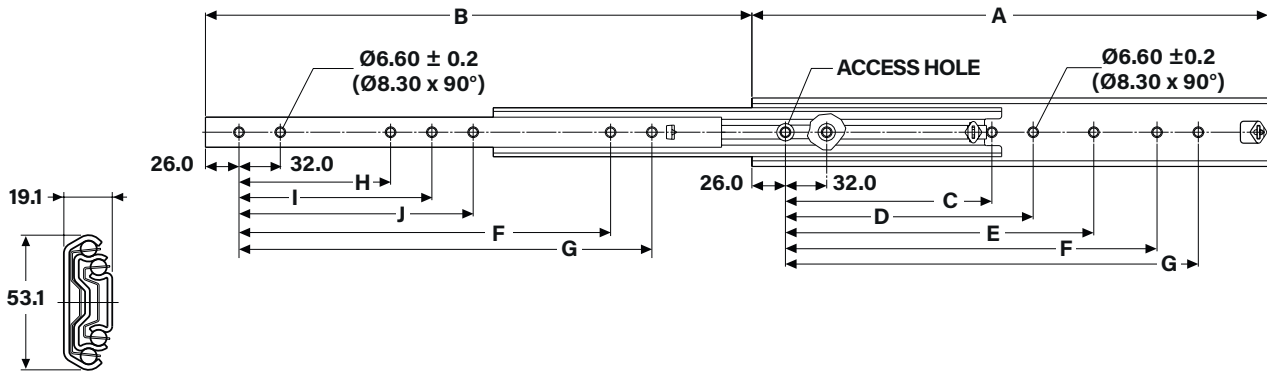
Part No.	A	B	C	D	E	F	G	H	I	J	kg	
											W	L
52311	148	138	-	-	-	-	96	-	-	-	0.44	45
52312	199	203	-	-	-	-	141	-	-	-	0.6	46
52313	250	254	-	-	-	-	192	-	-	-	0.76	47
52314	300	305	-	-	-	-	242	224	-	-	0.9	48
52315	350	356	-	-	-	-	292	224	-	-	1.06	49
52316	400	406	-	-	-	-	342	224	320	-	1.22	50
52317	450	457	-	-	320	-	392	224	352	-	1.36	50
52318	500	508	-	-	320	-	442	224	416	-	1.52	50
52319	550	559	-	-	320	416	492	224	352	448	1.68	50
52320	600	610	224	-	416	-	542	224	352	480	1.85	50
52321	650	660	224	-	416	544	592	224	352	544	2	49
52322	700	711	224	288	416	544	642	224	352	544	2.15	48

Table ref. "kg": W = Weight L = Load

LATCHES & CATCHES

# Drawer Slide - Heavy Duty (Corrosion Resistant)

41.b



These Heavy Duty Drawer Slides are the perfect solution for fixtures in commercial kitchens and industrial or outdoor cabinetry that is exposed to the elements due to its specially-engineered corrosion-resistant hardware.

These stainless steel slides have L-shaped brackets with locator pins for a seamless disconnect and a load rating of up to 140kg/160kg.

- Load rating up to 140/160kg
- 100% extension
- 19.1mm slide thickness
- Hold-in
- Vertical (*side*) mounting only

Part No.	A	B	C	D	E	F	G	H	I	J	kg		
											W	L	L
52436	300	323.5	-	-	-	192	224	-	-	-	1.73	130	120
52437	350	373.5	-	-	-	224	256	-	-	-	2.04	140	120
52438	400	423.5	-	160	192	288	320	128	160	-	2.34	150	130
52439	450	473.5	-	160	192	320	352	128	160	-	2.64	160	140
52440	500	523.5	-	192	224	384	416	160	192	-	2.94	160	140
52441	550	573.5	-	192	224	416	448	160	192	-	3.25	160	140
52442	600	623.5	-	256	288	480	512	192	256	-	3.55	150	120
52443	700	723.5	288	320	544	576	608	256	288	544	4.16	130	110
52444	790	803.5	-	352	384	672	704	320	352	384	4.72	100	100
59640	900	923.5	-	448	480	768	800	352	384	416	5.33	90	80
59639	1100	1123.5	448	544	576	992	1024	448	480	512	6.39	70	60

Table ref. "kg": W = Weight L = Load

**STABILUS**  
and



Your partners in gas spring control

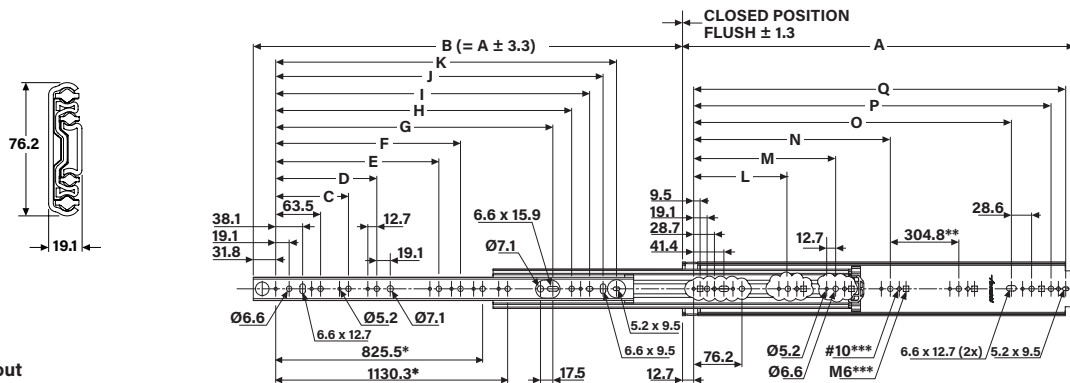
**"Selected and configured to your requirements!"**

- Wide product range
- Application assistance
- Full design service
- Configurable
- Globally proven
- Competitive pricing
- Available from stock

See pages 56 - 58

# Drawer Slide - Extra Heavy Duty

41.c



\*\* 58829  
\*\*\* Carriage bolt cut out

Enhanced with shock-absorbing ball bearing space bumpers that reduce impact noise, this Heavy Duty Drawer Slide will carry its increased load capacity of up to 272kg with quiet ease.

- Load rating up to 272kg
- 100% extension
- For drawers up to 1.06m wide with slide lengths of 1.5m
- Shock-absorbing ball bearings reduce impact noise

This slide is ideal for a wide variety of heavy-duty applications, from heavy pull-out pantries, service vehicle internal storage, and even ATMs! Tested for a total of 50,000 cycles at maximum load capacity, it provides unwavering strength and reliability when you need it most.

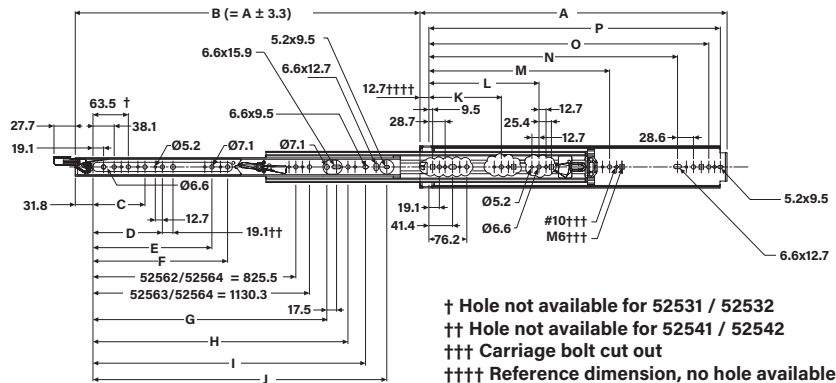
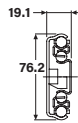
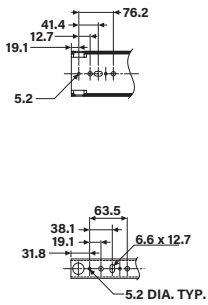
Part No.	A	B	C	D	E	F	G	H	I	J	K	L	M	N	O	P	Q	kg*	
																		W	L
52515	254.0	254.0	-	-	-	-	-	103.1	128.5	147.6	166.6	-	-	-	152.4	209.6	228.6	1.15	272
52516	304.8	304.8	-	-	-	-	-	153.9	179.3	198.4	217.4	-	-	-	203.2	260.4	279.4	1.4	272
52517	355.6	355.6	-	-	-	-	-	204.7	230.1	249.2	268.2	-	-	-	254.0	311.2	330.2	1.64	272
52518	406.4	406.4	127.0	-	-	-	-	255.5	280.9	300.0	319.0	-	-	-	304.8	362.0	381.0	1.9	272
52519	457.2	457.2	127.0	-	-	-	246.1	306.3	331.7	350.8	369.8	-	-	-	355.6	412.8	431.8	2.15	272
52520	508.0	508.0	127.0	190.5	-	-	296.9	357.1	382.5	401.6	420.6	-	-	-	406.4	463.6	482.6	2.38	272
52521	558.8	558.8	127.0	190.5	-	-	347.7	407.9	433.3	452.4	471.4	-	-	-	457.2	514.4	533.4	2.61	272
52522	609.6	609.6	127.0	190.5	-	-	398.5	458.7	484.1	503.2	522.2	-	-	-	508.0	565.2	584.2	2.88	267
52523	660.4	660.4	127.0	190.5	-	-	449.3	509.5	534.9	554.0	573.0	-	-	-	558.8	616.0	635.0	3.13	264
52524	711.2	711.2	127.0	190.5	-	-	500.1	560.3	585.7	604.8	623.8	-	-	-	609.6	666.8	685.8	3.37	261
52525	762.0	762.0	127.0	190.5	368.3	-	550.9	611.1	636.5	655.6	674.6	235.0	-	501.7	660.4	717.6	736.6	3.62	258
52526	812.8	812.8	127.0	190.5	368.3	-	601.7	661.9	687.3	706.4	725.4	235.0	393.7	552.5	711.2	768.4	787.4	3.86	256
52527	863.6	863.6	127.0	190.5	368.3	469.9	652.5	712.7	738.1	757.2	776.2	235.0	419.1	603.3	762.0	819.2	838.2	4.15	253
52528	914.4	914.4	127.0	190.5	368.3	520.7	703.3	763.5	788.9	808.0	827.0	235.0	444.5	654.1	812.8	870.0	889.0	4.37	248
52529	1016.0	1016.0	127.0	190.5	368.3	520.7	804.9	865.1	890.5	909.6	928.6	235.0	546.1	755.7	914.4	971.6	990.6	4.88	237
52530	1066.8	1066.8	127.0	190.5	368.3	520.7	855.7	915.9	941.3	960.4	979.4	235.0	546.1	806.5	965.2	1022.4	1041.4	5.11	228
58829	1524.0	1524.0	127.0	190.5	368.3	520.7	1312.9	1373.1	1398.5	1417.6	1436.6	235.0	596.9	958.9	1422.4	1479.6	1498.6	7.32	182

Table ref. "kg": W = Weight L = Load

\*Load rating per pair of slides, weight per individual slide.

# Drawer Slide - Extra Heavy Duty (Locking)

41.d



These Extra Heavy Duty Locking Drawer Slides are fitted with improved lock-in/lock-out springs that ensure your stored items or equipment stay safe during transit, yet easier than ever to access with full extension.

They can endure frequent use and rough terrain making it ideal for use in drawers and trays within emergency vehicles, luxury RVs or overland trucks, as well as heavy-duty fixtures and appliances around the home.

- Supports loads of up to 227kg
  - 100% extension
  - 19.1mm slide thickness
  - Slides sold individually
- (For applications requiring lock on both sides, order an equal amount of 'L' and 'R' slides.)

Part No.	LH/RH	A	B	C	D	E	F	G	H	I	J	K	L	M	N	O	P	kg		
																		W	L*	
52531	LH	304.8	304.8	-	-	-	-	-	153.9	179.3	198.4	-	-	-	203.2	260.4	279.4	1.46	227	
52532	RH	304.8	304.8	-	-	-	-	-	153.9	179.3	198.4	-	-	-	203.2	260.4	279.4	1.46	227	
52533	LH	355.6	355.6	-	-	-	-	-	204.7	230.1	249.2	-	-	-	254	311.2	330.2	1.71	227	
52534	RH	355.6	355.6	-	-	-	-	-	204.7	230.1	249.2	-	-	-	254	311.2	330.2	1.71	227	
52535	LH	406.4	406.4	-	-	-	-	-	255.5	280.9	300	-	-	-	304.8	362	381	1.97	227	
52536	RH	406.4	406.4	-	-	-	-	-	255.5	280.9	300	-	-	-	304.8	362	381	1.97	227	
52537	LH	457.2	457.2	127	-	-	-	-	306.3	331.7	350.8	-	-	-	355.6	412.8	431.8	2.21	227	
52538	RH	457.2	457.2	127	-	-	-	-	306.3	331.7	350.8	-	-	-	355.6	412.8	431.8	2.21	227	
52539	LH	508	508	127	-	-	-	-	296.9	357.1	382.5	401.6	-	-	-	406.4	463.6	482.6	2.45	227
52540	RH	508	508	127	-	-	-	-	296.9	357.1	382.5	401.6	-	-	-	406.4	463.6	482.6	2.45	227
52541	LH	558.8	558.8	127	190.5	-	-	-	347.7	407.9	433.3	452.4	-	-	-	457.2	514.4	533.4	2.69	227
52542	RH	558.8	558.8	127	190.5	-	-	-	347.7	407.9	433.3	452.4	-	-	-	457.2	514.4	533.4	2.69	227
52543	LH	609.6	609.6	127	190.5	-	-	-	398.5	458.7	484.1	503.2	-	-	-	508	565.2	584.2	2.96	227
52544	RH	609.6	609.6	127	190.5	-	-	-	398.5	458.7	484.1	503.2	-	-	-	508	565.2	584.2	2.96	227
52545	LH	660.4	660.4	127	190.5	-	-	-	449.3	509.5	534.9	554	-	-	-	558.8	616	635	3.2	227
52546	RH	660.4	660.4	127	190.5	-	-	-	449.3	509.5	534.9	554	-	-	-	558.8	616	635	3.2	227
52547	LH	711.2	711.2	127	190.5	-	-	-	500.1	560.3	585.7	604.8	-	-	-	609.6	666.8	685.8	3.46	227
52548	RH	711.2	711.2	127	190.5	-	-	-	500.1	560.3	585.7	604.8	-	-	-	609.6	666.8	685.8	3.46	227

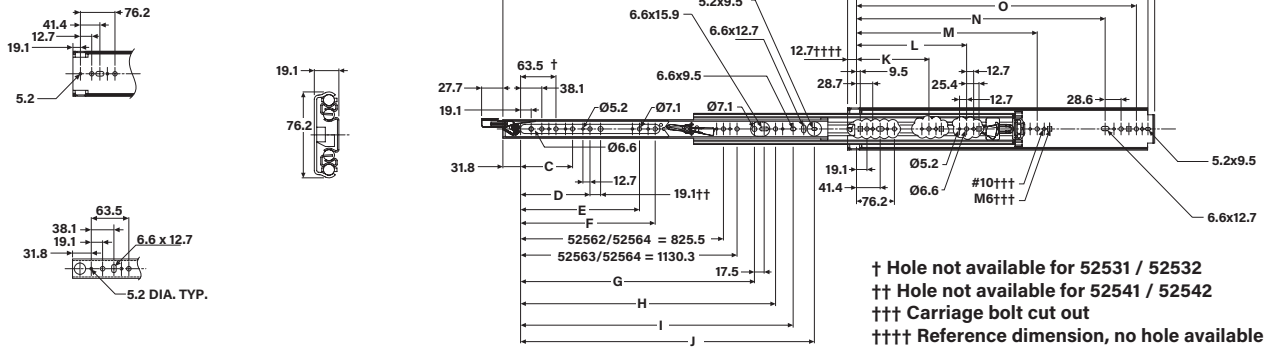
Table ref. "kg"; W = Weight L = Load

\*Load rating per pair of slides.

LATCHES & CATCHES

# Drawer Slide - Extra Heavy Duty (Locking)

41.d



These Extra Heavy Duty Locking Drawer Slides are fitted with improved lock-in/lock-out springs that ensure your stored items or equipment stay safe during transit, yet easier than ever to access with full extension.

- Supports loads of up to 227kg
- 100% extension
- 19.1mm slide thickness
- Slides sold individually

They can endure frequent use and rough terrain making it ideal for use in drawers and trays within emergency vehicles, luxury RVs or overland trucks, as well as heavy-duty fixtures and appliances around the home.

*(For applications requiring lock on both sides, order an equal amount of 'L' and 'R' slides.)*

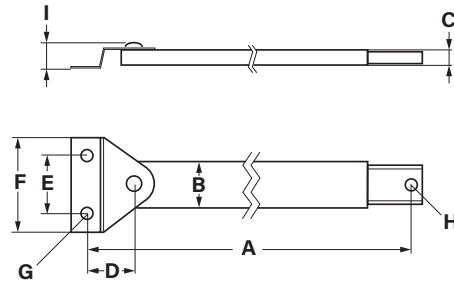
Part No.	LH/RH	A	B	C	D	E	F	G	H	I	J	K	L	M	N	O	P	kg	
		W	L*																
52549	LH	762	762	127	190.5	-	-	550.9	611.1	636.5	655.6	235	-	501.7	660.4	717.6	736.6	3.71	222
52550	RH	762	762	127	190.5	-	-	550.9	611.1	636.5	655.6	235	-	501.7	660.4	717.6	736.6	3.71	222
52551	LH	812.8	812.8	127	190.5	-	-	601.7	661.9	687.3	706.4	235	-	552.5	711.2	768.4	787.4	3.98	218
52552	RH	812.8	812.8	127	190.5	-	-	601.7	661.9	687.3	706.4	235	-	552.5	711.2	768.4	787.4	3.98	218
52553	LH	863.6	863.6	127	190.5	-	520.7	652.5	712.7	738.1	757.1	235	-	603.2	762	819.1	838.2	4.22	213
52554	RH	863.6	863.6	127	190.5	-	520.7	652.5	712.7	738.1	757.1	235	-	603.2	762	819.1	838.2	4.22	213
52555	LH	914.4	914.4	127	190.5	368.3	520.7	703.3	763.5	788.9	807.9	235	-	654.1	812.8	869.9	889	4.49	209
52556	RH	914.4	914.4	127	190.5	368.3	520.7	703.3	763.5	788.9	807.9	235	-	654.1	812.8	869.9	889	4.49	209
52557	LH	1016	1016	127	190.5	368.3	-	804.9	865.1	890.5	909.5	235	-	755.7	914.4	971.5	990.6	5.03	200
52558	RH	1016	1016	127	190.5	368.3	-	804.9	865.1	890.5	909.5	235	-	755.7	914.4	971.5	990.6	5.03	200
52559	LH	1066.8	1066.8	127	190.5	368.3	-	855.7	915.9	941.3	960.4	235	-	806.5	965.2	1022.4	1041.4	5.27	195
52560	RH	1066.8	1066.8	127	190.5	368.3	-	855.7	915.9	941.3	960.4	235	-	806.5	965.2	1022.4	1041.4	5.27	195
52561	LH	1219.2	1219.2	127	190.5	368.3	520.7	1008.1	1068.3	1093.7	1112.8	235	-	958.9	1117.6	1174.8	1193.8	6	182
52562	RH	1219.2	1219.2	127	190.5	368.3	520.7	1008.1	1068.3	1093.7	1112.8	235	-	958.9	1117.6	1174.8	1193.8	6	182
52563	LH	1524	1524	127	190.5	368.3	520.7	1312.9	1373.1	1398.5	1417.8	235	596.9	958.9	1422.4	1479.5	1498.6	7.54	154
52564	RH	1524	1524	127	190.5	368.3	520.7	1312.9	1373.1	1398.5	1417.8	235	596.9	958.9	1422.4	1479.5	1498.6	7.54	154

Table ref. "kg": W = Weight L = Load

\*Load rating per pair of slides.

# Support Stay

## 42.a



This range of extensible stays provides a simple, inexpensive and long-lasting method of supporting top-hinged doors and hatches.

**MILD STEEL**

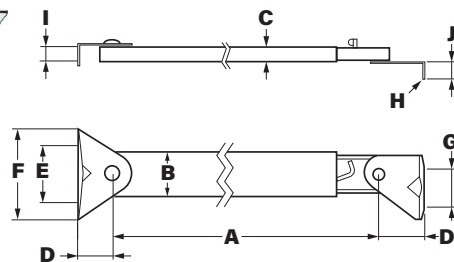
The 'star-wheel' design allows automatic release - useful where two stays are fitted on a very wide panel.

- Mild steel
- Zinc plated

Part No.	Part type	A Length	A Length (extended)	B	C	D	E	F	G	H	I
20752	Support Stay (with 1 bracket)	290	495	25	12	28	35	57	9	6	14
20751	Support Stay (with 2 brackets)	290	495	25	12	28	35	57	9	6	14
20800	Automatic Release (w/ thumb screw)	290	495	25	12	28	35	57	9	6	14

# Support Stay

## 42.b



Safety catch release with brackets. The standard models illustrated are representative of a family of stays for top-hinged doors and hatches.

**MILD STEEL**

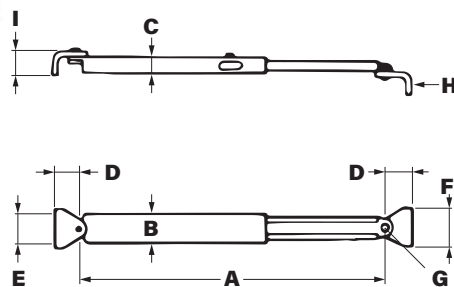
The 'safety-catch' design means the stay must be manually released - a useful precaution against vibration or accidental closure.

- Mild steel
- Zinc plated

Part No.	A Length	A Length (extended)	B	C	D	E	F	G	H	I	J
20784	285	470	25	12	23	32	57	19	5	13	9

# Miniature Stay

## 43.



Available with or without brackets.

**MILD STEEL**

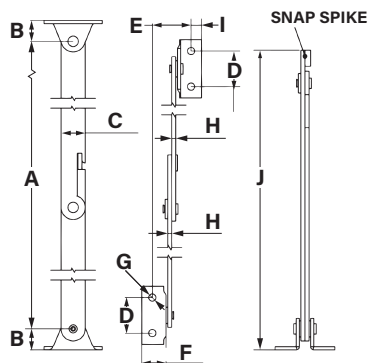
- Mild steel
- Zinc plated

Part No.	Part type	A Length	A Length (extended)	B	C	D	E	F	G	H	I
20782	With brackets	152	239	19	9	16	13	24	-	3.5	13
20785	Without brackets	152	239	19	9	-	-	-	Ø10	-	-



# Cover Stay

44.



Cover stay in mild steel.

Left-hand and right-hand options available.

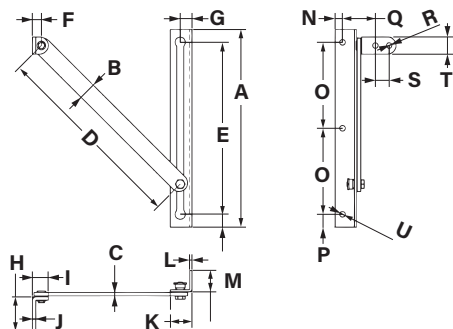


- Mild steel
- Nickel plated
- LH / RH

Part No.	LH/RH	A	B	C	D	E	F	G	H	I	J
28717	RH	291	13	15	22 ± 0.2	24	15	Ø4.5	2.5	6.5	185.5
28718	LH	291	13	15	22 ± 0.2	24	15	Ø4.5	2.5	6.5	185.5

# Door Securing

45.



Wind stop with automatic lock.



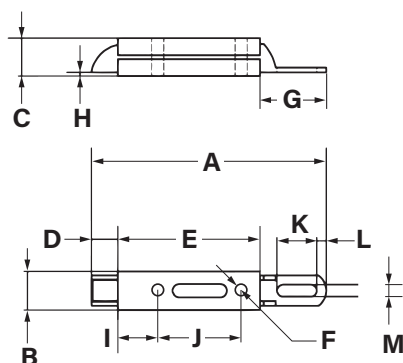
- Mild steel
- Zinc plated
- LH / RH

Part No.	A	B	C	D	E	F	G	H	I	J	K	L	M	N	O	P	Q	R	S	T	U
28625	230	20	4	228	200	10.5	13.5	40	18.5	4	25	2.5	25	8.5	100	15	40	Ø6.4	16	20	Ø6.6

LATCHES & CATCHES

# Spring Lock

46.



Fix through mountings to suit narrow door, pillars, sections and channels.

\*Other versions available.

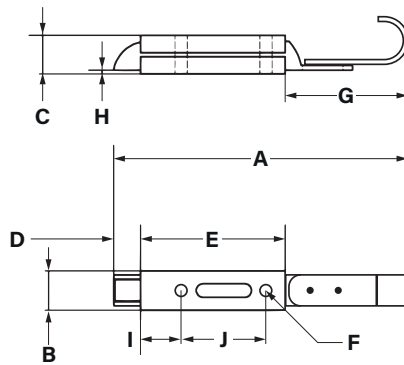


- Mild steel
- BZP

Part No.	A	B	C	D	E	F	G	H	I	J	K	L	M
28712	124	20.5	20	14	75	Ø6.3	35	2	21	44	21	5	6.4

## Spring Lock (with finger pull)

47.



Spring Lock with finger pull latch in zinc plated steel.

ZINC

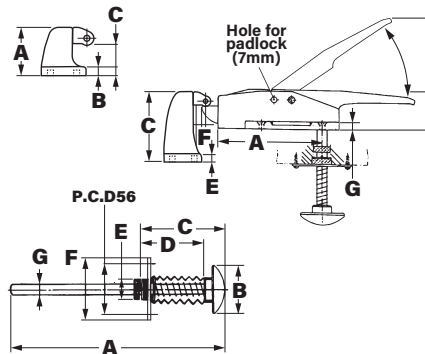
Ideal for drawers and small cabinets.

• Zinc plated steel

Part No.	A	B	C	D	E	F	G	H	I	J
23974	140.5	20.5	20	14	75.5	Ø6.3	51	2	21	44

## Surface-Mount Slam Latch

48.



This latch is widely used for large size insulated enclosures, such as cold stores or containerised units, where a surface-mounted latch is preferable to avoid breaching the integrity of the door.

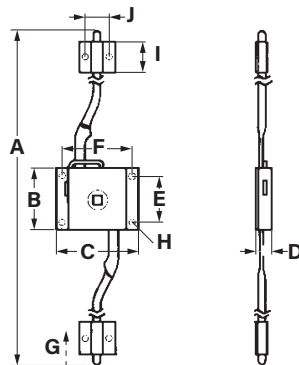
CHROME

- Bright chrome
- Smooth slam action
- Inside safety "punch" handle for emergency release.

Part No.	Part type	A	B	C	D	E	F	G
22586	Surface Mount Slam Latch	135	50	90	140	10	5	10
22587	Striker	50	10	30	-	-	-	-
22588	Inside Release Handle	264	Ø56	104	78.5	Ø26	Ø76	Ø12.5

## 2-Way Rod Latch

49.a



Industry-standard for securing large doors requiring latching on two edges. This is a 'deadbolt' system with 10mm diameter rods driven by centre bush, and held extended by action of a strong spring.



MILD STEEL

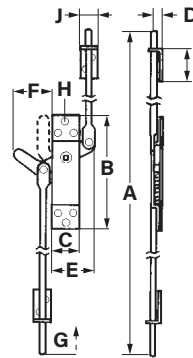
90°

- Mild steel
- Zinc plated throughout
- System cannot be slammed
- Centre bush rotates through 90°
- LH / RH

Part No.	LH/RH	A	A	B	C	D	E	F	G	H	I	J
		Length (retracted)	Length (extended)									
20681	RH	2160	2210	50	67	14	38	57	24	4	25	22
20683	LH	2160	2210	50	67	14	38	57	24	4	25	22

# 3-Way Rod Latch

49.b



MILD STEEL

60°

A heavy-duty design which provides 3-point latching with an exceptional amount of 'throw'.

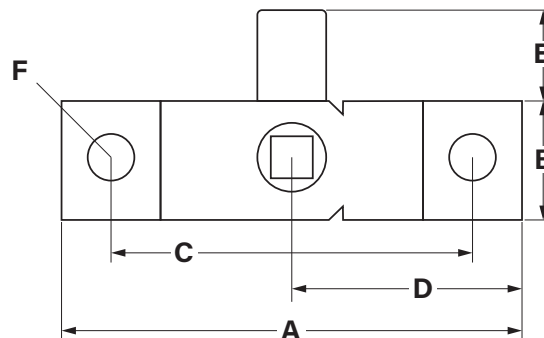
This is a 'deadbolt' system with 10mm diameter rods driven by centre bush, and held extended by action of a strong spring.

- Mild steel
- Zinc plated throughout
- System cannot be slammed
- Centre bush rotates through 60°
- LH / RH

Part No.	LH/RH	A Length (retracted)	A Length (extended)	B	C	D	E	F (retracted)	F (extended)	G	H	I	J
20673	RH	2230	2264	145	36	15	57	21	54	33	6, cs 9	40	25
20675	LH	2230	2264	145	36	15	57	21	54	33	6, cs 9	40	25

# Budget Latch

50.



180°

This simple 'deadbolt' latch has become an industry standard.

Two sizes of operating keys are available and diecast escutcheon covers can be fitted to conceal panel aperture.

- Mild steel or stainless steel
- Zinc plated throughout
- Bolt able to travel 180° through case
- LH / RH

Part No.	Material	A	B	C	D	E	F
21357	Mild steel BZP	85	22	66	38	18	Ø7
20643	Stainless steel	85	22	66	38	18	Ø7

LATCHES & CATCHES

# Compression Lever Latch

ZINC

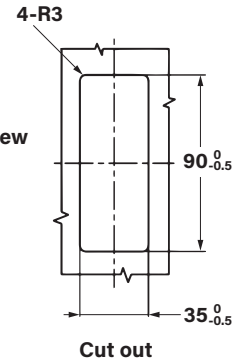
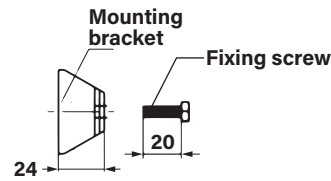
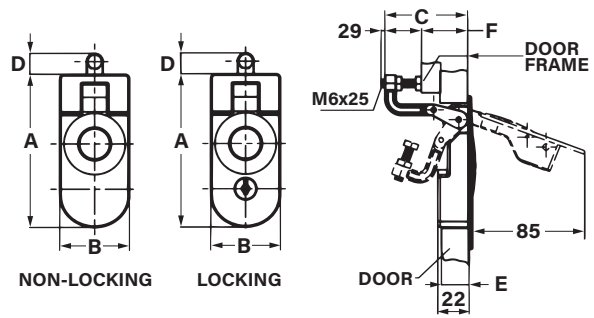
51.



Non-Locking



Locking



Compression Lever Latch in black with trigger action and adjustable grips.

Suitable applications include office furniture, overhead lockers and vehicle storage boxes.

- Zinc die handle, housing and trigger
- Mild steel zinc plated fixing parts
- Locking or on-locking versions available

Part No.	Style	A	B	C	D	E		F	
						Panel Thickness		Grip Range	
						min	max	min	max
59894	Non-locking	110	50	29	15	1	11	1	14
59895	Locking, Keyed CH751	110	50	29	15	1	11	1	14
59896	Non-locking	110	50	44	15	1	11	14	29
59897	Locking, Keyed CH751	110	50	44	15	1	11	14	29
59898	Non-locking	110	50	60	15	1	11	29	45
59899	Locking, Keyed CH751	110	50	60	15	1	11	29	45

## STABILILUS

and



*Your partners in gas spring control*

Specialist distributor for the world leader in gas spring technology and innovation.

Call today for a demonstration and see how FA Parkes and Stabililus can enhance your product.

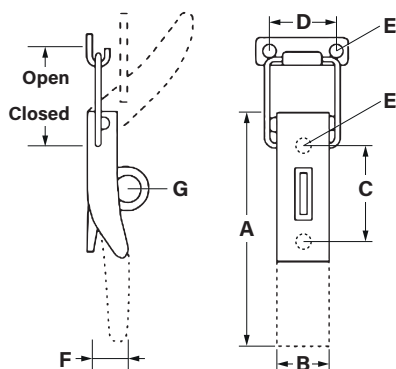
*"Selected and configured to your requirements!"*

- Wide product range
- Application assistance
- Full design service
- Configurable
- Globally proven
- Competitive pricing
- Available from stock

See pages 56 - 58

# Toggle Catch and Hook

52.



Available in padlockable or plain options.



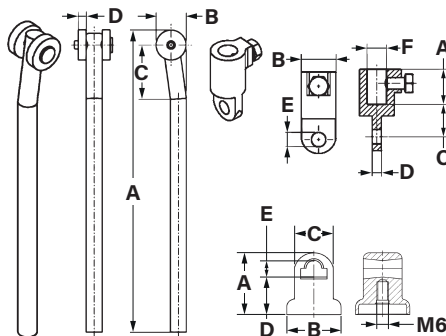
- BZP
- Padlockable
- LH / RH

Part No.	Style	A	B	C	D	E	F	G	Open	Closed
22898	Padlockable	66	25	34	32	5	20	10	54	44
22265	Plain	66	25	34	32	5	20	10	70	56

# Rod and Roller

53.

Rod and Roller



Rod and roller in mild steel.

Various lengths available.



- Mild steel
- LH / RH

Rod and Roller						
Part No.	A	B	C	D	E	F
20512	600	Ø15	30	4	-	-
20513	700	Ø15	30	4	-	-
20514	800	Ø15	30	4	-	-
20515	900	Ø15	30	4	-	-
20516	1000	Ø15	30	4	-	-
20517	1100	Ø15	30	4	-	-
20518	1200	Ø15	30	4	-	-

Adapter for Rod and Roller						
Part No.	A	B	C	D	E	F
20360	15	Ø15	14	4	Ø6.2	Ø8.4

Rod guide polyamide						
Part No.	A	B	C	D	E	F
55997	32	Ø28	□20	24	20	-
52716	38	Ø28	□20	30	26	-

# We have thousands more products online



Can't find what you're looking for?  
Go to [faparkes.co.uk](https://faparkes.co.uk) to see our full range.





Rubber Sealing

4 Lip Profile Gasketing

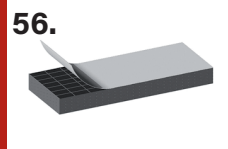
Sponge Neoprene



Page 72



Page 73

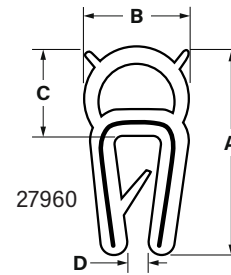
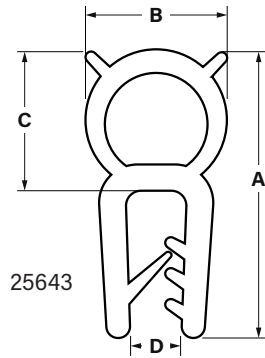
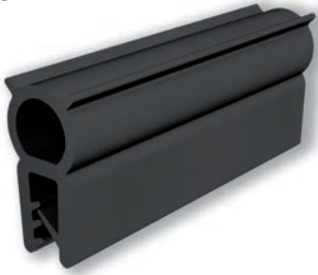


Page 73

Ready to order? Buy from us direct at [faparkes.co.uk](http://faparkes.co.uk) or call us on +44 (0)1942 681 996.

# Rubber Sealing

54.a



RUBBER

RoHS

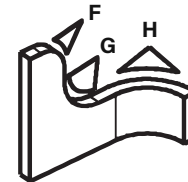
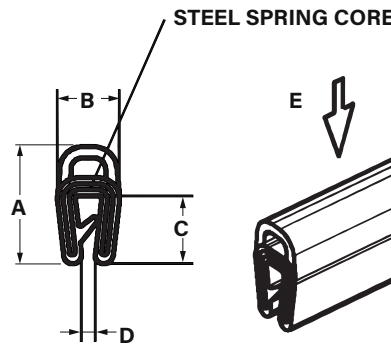
EPDM 65°+ 5 shore/sponge - rubber(EPDM).

- Black
- Soft rubber

Part No.	A	B	C	D
25643	21.5	11	10.7	1.5 - 3
27960	15.6	8.4	6.5	1 - 2

# Rubber Sealing

54.b



RUBBER

Gasket PVC/sponge - rubber(EPDM).

- Black

GASKETS

Part No.	A	B	C	D	E	F	G	H
22470	14.5	6.5	7.9	1 - 2	<2.5	20	40	10

**STABILUS**

and



Your partners in gas spring control

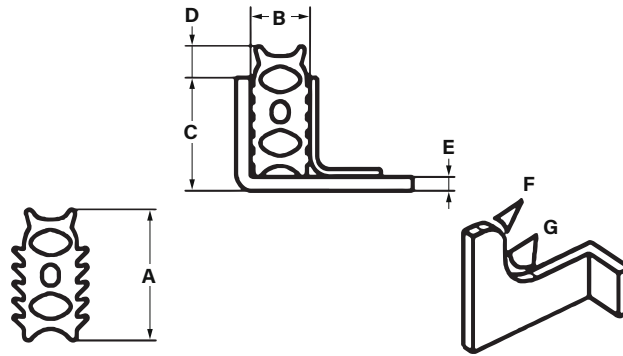
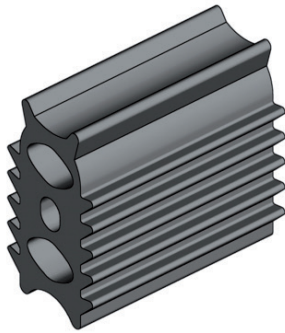


See pages 56 - 58



# 4 Lip Profile Gasketing

55.



RUBBER

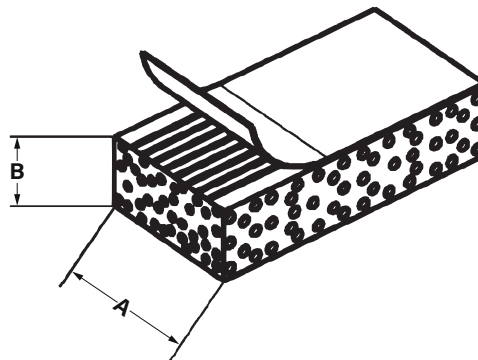
Sponge - rubber in black. EPDM 25° shore.

• Black

Part No.	A	B	C	D	E	F	G
22296	28.5	8.5	26	4.5	2	50	60

# Sponge Neoprene

56.



RUBBER

Closed cell sponge rubber as requested black with stretch eliminating self-adhesive backing.

• Black

Part No.	A Width	B Depth
20436	10	3
20438	15	3
22746	20	3
20442	20	5
20430	15	10
20432	20	10

GASKETS

# Index

Part No.	Page	Part No.	Page	Part No.	Page	Part No.	Page	Part No.	Page
20077	14	20683	66	21258	22	22706	20	24027	20
20080	14	20751	64	21259	20	22732	22	24028	19
20092	14	20752	64	21261	20	22735	44	24029	19
20093	14	20782	64	21262	22	22746	73	24037	19
20143	28	20784	64	21263	21	22767	44	24059	19
20251	30	20785	64	21264	22	22803	23	24060	19
20260	31	20800	64	21265	22	22827	20	24083	26
20265	32	20835	28	21266	22	22840	48	24084	26
20266	31	20837	28	21267	20	22898	69	24085	27
20267	32	20884	27	21268	20	23021	22	24128	19
20300	32	20885	27	21269	20	23036	18	24128	19
20301	32	20887	34	21270	22	23106	23	24171	19
20331	30	20891	34	21271	20	23167	45	24216	19
20335	32	20893	34	21357	67	23169	14	24223	16
20336	32	20895	34	21396	29	23205	23	24242	19
20339	31	21085	29	21426	30	23218	22	24275	21
20344	31	21110	15	21460	14	23220	22	24408	29
20355	32	21111	15	21472	35	23302	44	24527	18
20360	69	21115	27	21473	35	23490	48	24648	18
20382	30	21141	34	21499	14	23581	20	24649	18
20397	69	21142	34	21511	30	23718	22	24652	17
20398	69	21143	34	21513	31	23776	22	24661	21
20406	42	21144	34	21514	31	23792	21	24853	23
20407	42	21202	28	21877	29	23843	48	24940	19
20408	40	21216	23	21878	30	23844	48	24968	46
20409	40	21217	23	21879	45	23845	49	25049	46
20410	38	21218	21	21881	45	23846	49	25077	33
20412	38	21219	23	21883	45	23847	49	25267	20
20430	73	21220	23	21907	22	23848	49	25321	20
20432	73	21221	22	21939	13	23849	49	25362	57
20436	73	21222	23	21972	23	23850	49	25363	57
20438	73	21223	23	21973	23	23851	50	25364	57
20442	73	21224	21	22054	21	23852	50	25365	57
20453	12	21225	21	22057	21	23853	50	25366	57
20454	12	21226	23	22062	30	23854	50	25367	57
20456	12	21227	21	22134	21	23855	50	25368	57
20457	12	21228	23	22217	21	23856	50	25369	57
20459	13	21230	20	22225	21	23857	50	25370	57
20460	13	21231	22	22229	29	23858	50	25371	57
20461	13	21232	20	22242	22	23859	51	25372	57
20462	13	21233	22	22250	20	23860	51	25373	57
20464	13	21234	20	22264	20	23861	51	25374	57
20484	17	21235	22	22265	69	23862	51	25375	57
20512	69	21236	20	22296	73	23863	51	25376	57
20513	69	21238	22	22332	29	23864	51	25377	57
20514	69	21239	20	22364	22	23865	51	25378	57
20515	69	21241	22	22394	21	23866	51	25379	57
20516	69	21242	23	22405	23	23867	51	25380	57
20517	69	21243	20	22408	21	23868	51	25381	57
20518	69	21246	22	22409	29	23869	51	25382	57
20549	12	21247	21	22444	23	23870	51	25383	57
20550	12	21248	23	22470	72	23871	48	25384	57
20551	12	21250	23	22471	27	23872	48	25385	57
20552	12	21251	21	22473	21	23873	49	25386	57
20636	26	21252	21	22483	23	23874	49	25387	57
20643	67	21253	23	22538	21	23907	17	25388	57
20673	67	21254	21	22586	66	23974	66	25389	57
20675	67	21256	20	22587	66	23992	19	25390	57
20681	66	21257	20	22588	66	23997	19	25391	57

Part No.	Page	Part No.	Page	Part No.	Page	Part No.	Page	Part No.	Page
25392	57	25452	39	25511	41	25580	44	42812	58
25393	57	25453	39	25512	41	25586	26	42814	58
25394	57	25454	39	25513	41	25622	33	42816	58
25395	57	25455	39	25514	41	25623	33	42819	58
25396	57	25456	39	25515	41	25624	33	42821	58
25397	57	25457	39	25516	41	25625	33	42822	58
25398	57	25458	39	25517	41	25626	33	42823	58
25399	57	25459	39	25518	41	25627	33	42825	58
25400	57	25460	39	25519	41	25628	33	42828	58
25401	57	25461	39	25520	43	25629	33	42830	58
25402	57	25462	39	25521	43	25630	46	42831	58
25403	57	25463	39	25522	43	25631	46	43147	58
25404	57	25464	39	25523	43	25632	46	48737	58
25405	57	25465	39	25524	43	25633	46	48738	58
25406	57	25466	39	25525	43	25634	46	48739	58
25407	57	25467	39	25526	43	25643	72	48740	58
25408	57	25468	39	25527	43	25682	15	48741	58
25409	57	25469	39	25528	43	25683	15	48742	58
25410	57	25470	41	25529	43	25686	13	48743	58
25411	57	25471	41	25530	43	25687	13	48744	58
25412	57	25472	41	25531	43	25745	35	48745	58
25413	57	25473	41	25532	43	25803	16	48746	58
25414	57	25474	41	25533	43	27960	72	48747	58
25415	57	25475	41	25534	43	28115	12	48748	58
25416	57	25476	41	25535	43	28118	12	48749	58
25417	57	25477	41	25536	43	28417	16	48750	58
25418	39	25478	41	25537	43	28418	16	48751	58
25419	39	25479	41	25538	43	28419	16	48752	58
25420	39	25480	41	25539	43	28420	16	48753	58
25421	39	25481	41	25540	43	28421	16	51652	35
25422	39	25482	41	25541	43	28422	16	51957	47
25423	39	25483	41	25542	43	28431	16	52311	59
25424	39	25484	41	25543	43	28432	16	52312	59
25425	39	25485	41	25544	43	28433	16	52313	59
25426	39	25486	41	25545	43	28434	16	52314	59
25427	39	25487	41	25546	43	28625	65	52315	59
25428	39	25488	41	25547	43	28712	65	52316	59
25429	39	25489	41	25548	43	28717	65	52317	59
25430	39	25490	41	25549	43	28718	65	52318	59
25431	39	25491	41	25550	43	31550	19	52319	59
25432	39	25492	41	25551	43	31551	19	52320	59
25433	39	25493	41	25552	43	31552	19	52321	59
25434	39	25494	41	25553	43	31556	19	52322	59
25435	39	25495	41	25554	43	34628	15	52436	60
25436	39	25496	41	25555	43	34629	15	52437	60
25437	39	25497	41	25556	43	37688	58	52438	60
25438	39	25498	41	25557	43	41153	58	52439	60
25439	39	25499	41	25558	43	41155	58	52440	60
25440	39	25500	41	25559	43	41158	58	52441	60
25441	39	25501	41	25560	43	41162	58	52442	60
25442	39	25502	41	25561	43	41165	58	52443	60
25444	39	25503	41	25562	43	41167	58	52444	60
25445	39	25504	41	25563	43	41168	58	52515	61
25446	39	25505	41	25564	43	41171	58	52516	61
25447	39	25506	41	25565	43	41172	58	52517	61
25448	39	25507	41	25566	43	42798	58	52518	61
25449	39	25508	41	25567	43	42800	58	52519	61
25450	39	25509	41	25568	43	42803	58	52520	61
25451	39	25510	41	25569	43	42805	58	52521	61

# Index

Part No.	Page	Part No.	Page	Part No.	Page	Part No.	Page	Part No.	Page
52522	61	52535	62	52548	62	52561	63	59640	60
52523	61	52536	62	52549	63	52562	63	59893	47
52524	61	52537	62	52550	63	52563	63	59894	68
52525	61	52538	62	52551	63	52564	63	59895	68
52526	61	52539	62	52552	63	53328	58	59896	68
52527	61	52540	62	52553	63	53424	58	59897	68
52528	61	52541	62	52554	63	57346	58	59898	68
52529	61	52542	62	52555	63	57348	58	59899	68
52530	61	52543	62	52556	63	57351	58		
52531	62	52544	62	52557	63	58798	28		
52532	62	52545	62	52558	63	58829	61		
52533	62	52546	62	52559	63	59313	47		
52534	62	52547	62	52560	63	59639	60		



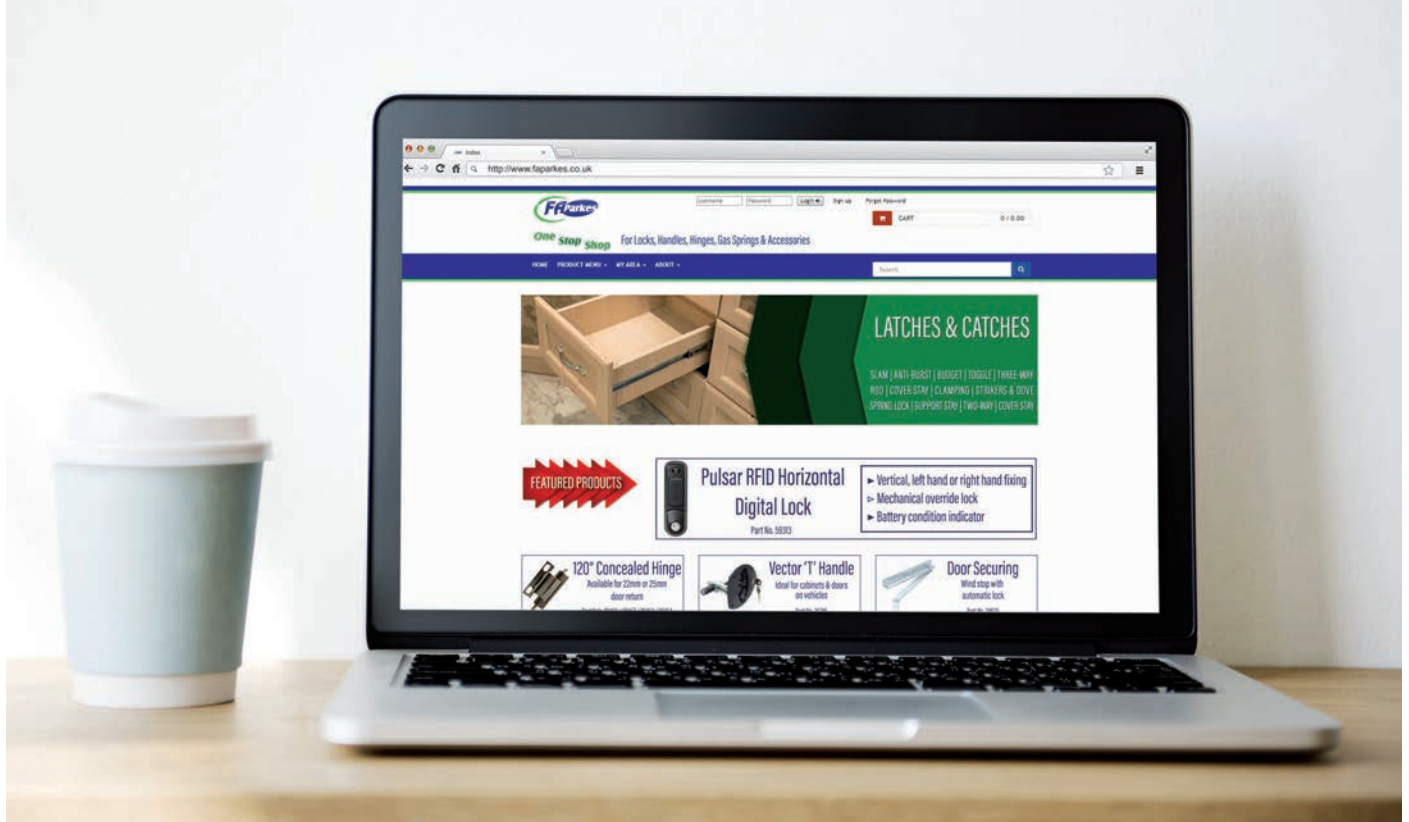
Thousands of products available to buy online



Reliable international delivery service



The UK's leading stockist of locks, handles, hinges gas springs & accessories



Still can't find what you need? We have thousands more products available to order online. Go to our website where you can browse parts, check stock levels and buy direct from us.



# faparkes.co.uk







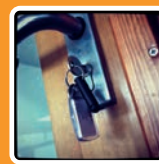
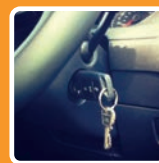
# Traka21

Plug and Play key management  
Available now from



Traka21's innovative plug and play system provides businesses with the very latest in intelligent key management.

Simple, efficient and cost-effective, Traka21 helps trace and account for every key or keyset, which are individually locked in place, ensuring that critical business operations are never jeopardised.



Part No. 59501 Order online at [faparkes.co.uk](http://faparkes.co.uk)



## Traka21 iFob

Once attached to an iFob with a robust security seal, individual keys or keysets are assigned a specific receptor within the Traka cabinet and locked in place until released by an authorised user.

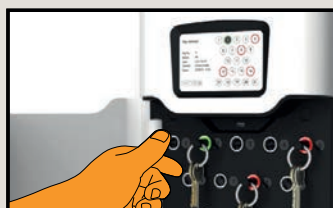


Advanced RFID technology

## How it works...



The user enters their unique PIN code to gain access to the cabinet.



All keys and keysets are individually locked by the Traka21 unit. Green LEDs indicate the keys to which this user has access while keys highlighted by the Red LEDs continue to remain locked in place.



Amber light indicates return position.

For more information go to [faparkes.co.uk](http://faparkes.co.uk)





Manufacturers & Distributors of  
Locks, Handles, Hinges, Gas Springs & Accessories



**F.A.PARKES (MOTOR BODY  
FITTINGS) LIMITED**  
Unit 4, Acorn Court  
Butts Street,  
Leigh, Lancashire, UK  
WN7 3AE



+44 (0) 1942 681 996



+44 (0) 1942 681 997



[faparkes.co.uk](http://faparkes.co.uk)



[sales@faparkes.co.uk](mailto:sales@faparkes.co.uk)

