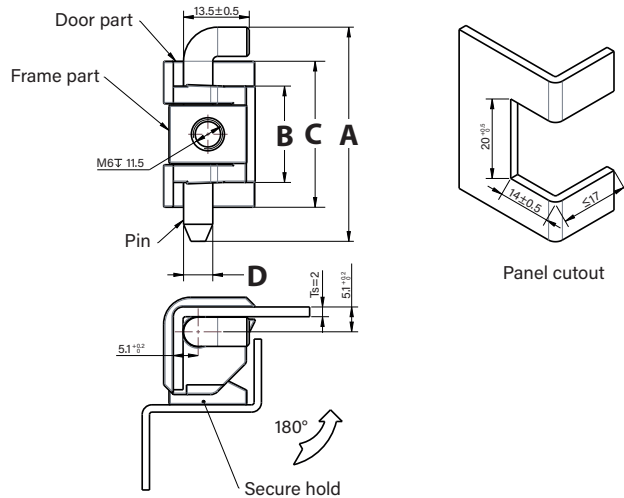
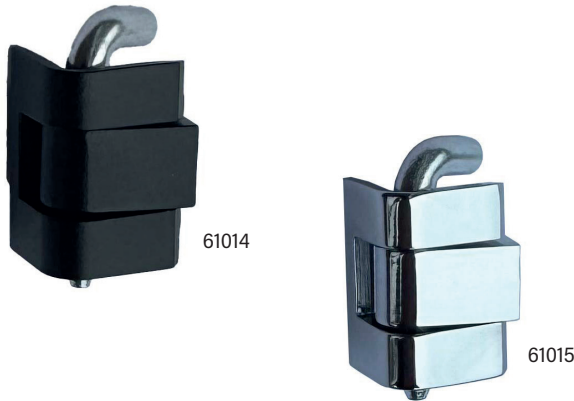


180° Semi-Concealed Hinge



180° Semi-Concealed hinge in zinc die with zinc die pin.

Available in Bright Chrome Plated and Black Textured Powder Coated finishes.

- For surface mounted doors for single cabinets
- External hinge
- Secure hold with 'anti-drop design'
- Opening angle: 180°
- LH / RH

Part No.	Finish	A	B	C	D
61014	Black Textured Powder Coated	44±1	19.8	30	Ø6 ^{0.1} ₀
61015	Bright Chrome Plated	44±1	19.8	30	Ø6 ^{0.1} ₀

All dimensions shown in mm unless otherwise stated. We reserve the right to alter specifications without notice.



Thousands of products available to buy online



Reliable international delivery service



The UK's leading stockist of locks, handles, hinges gas springs & accessories

Order online at
www.faparkes.co.uk

Your *One-Stop-Shop* for all your hardware requirements!



FA Parkes Ltd
Unit 4, Acorn Court
Butts Street,
Leigh
Lancashire, UK
WN7 3AE



+44 (0) 1942 681 996



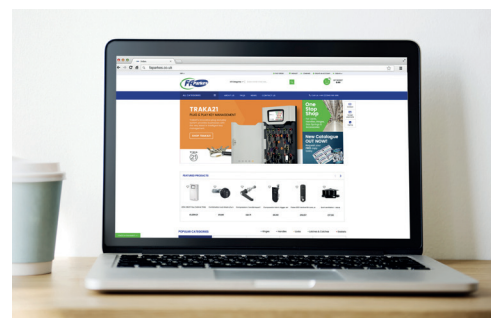
+44 (0) 1942 681 997



www.faparkes.co.uk



sales@faparkes.co.uk



- Search by keyword or part number
- Browse by part type
- Product datasheet downloads
- No sign up required!

