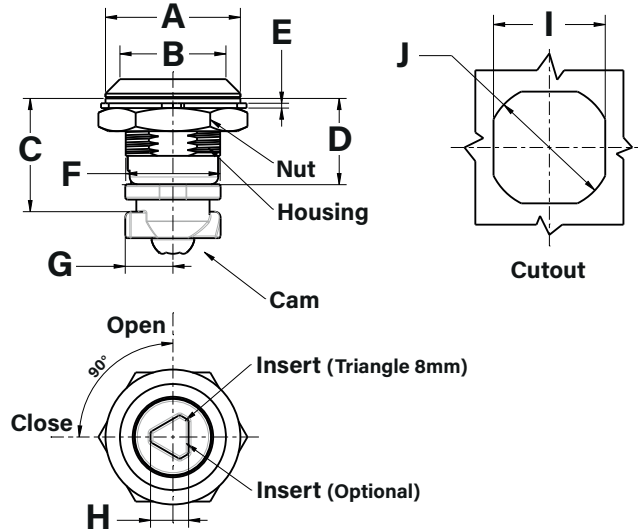


Quarter Turn Lock



8mm Tri quarter turn lock in black smooth, zinc die.
Oddie cam. IP65 rating.

- Zinc diecast
- Black smooth powder coated
- Nut/Cam: Zinc Alloy zinc plated
- IP65 rating
- LH / RH

Part No.	A	B	C	D	E	F	G	H	I	J
60956	Ø28	Ø22	23.5	GH=18	Ts=1-6.5mm	□19.5 - $\frac{0}{0.1}$	10 ± 1	8	□20.1 $\frac{+0.1}{0}$	Ø22.5 $\frac{+0.5}{0}$

All dimensions shown in mm unless otherwise stated. We reserve the right to alter specifications without notice.



Thousands of products available to buy online



Reliable international delivery service



The UK's leading stockist of locks, handles, hinges gas springs & accessories

Order online at
www.faparkes.co.uk

Your *One-Stop-Shop* for all your hardware requirements!



FA Parkes Ltd
Unit 4, Acorn Court
Butts Street,
Leigh
Lancashire, UK
WN7 3AE



+44 (0) 1942 681 996



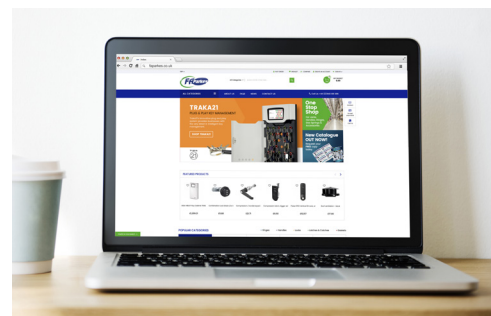
+44 (0) 1942 681 997



www.faparkes.co.uk



sales@faparkes.co.uk



- Search by keyword or part number
- Browse by part type
- Product datasheet downloads
- No sign up required!

