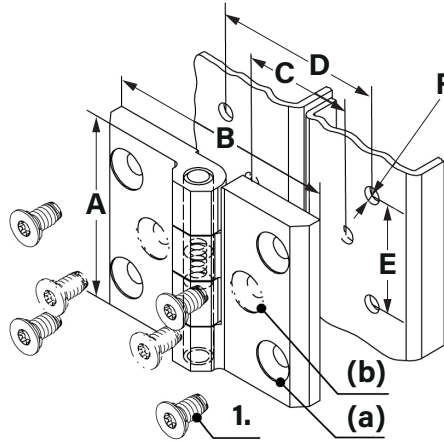


Screw-On Hinge



Screw-On Hinge with grounding countersunk screw M6 for nested doors. Zinc die material in either chrome plated or black finish.

NOTES:

- 1. Information about the grounding countersunk screw see product system 6-044.
- (a) with 4 countersunk holes for M6
- (b) with 6 countersunk holes for M6
- Hinge halves: zinc die, blasted chrome plated or black
- Pins: AISI 303
- Spring: spring steel
- Countersunk screw: steel, zinc plated
- Visible hinge
- Grounding countersunk screw according to DIN 7500
- According to DIN EN 61439-1 (VDE0660-600-1):2012-06, EN 61439-1:2011
- 180° Opening angle
- LH / RH

	A	B	C	D	E	F
Part No.						
60695	60	76	36	56	36	Ø5.45

All dimensions shown in mm unless otherwise stated. We reserve the right to alter specifications without notice.



Thousands of products available to buy online



Reliable international delivery service



The UK's leading stockist of locks, handles, hinges gas springs & accessories

Order online at

www.faparkes.co.uk

Your *One-Stop-Shop* for all your hardware requirements!



F.A.PARKES (MOTOR BODY FITTINGS) LIMITED
Unit 4, Acorn Court
Butts Street,
Leigh, Lancashire, UK
WN7 3AE



+44 (0) 1942 681 996



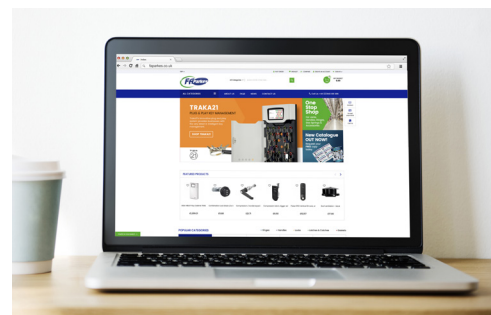
+44 (0) 1942 681 997



www.faparkes.co.uk



sales@faparkes.co.uk



- Search by keyword or part number
- Browse by part type
- Product datasheet downloads
- No sign up required!

