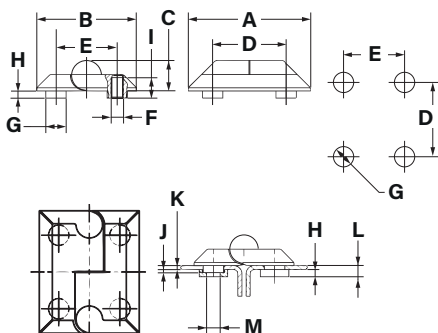
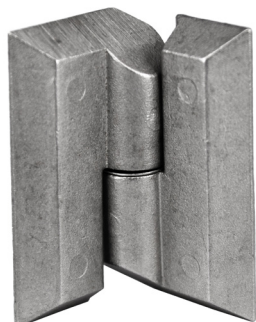


Lift-Off Stainless Hinge



Acid-proof stainless steel external lift-off hinge for flush mounted doors.

- Stainless steel
- Lift-Off style
- External hinge
- Opening angle: 180°
- LH / RH



Part No.	LH/RH	A	B	C	D	E	F	G	H	I	J	K	L	M
59991	RH	60	49	15	36	30	M6 (x4)	Ø10 (x4)	3.5	10	5	2	5.5	Ø6.7
59992	LH	60	49	15	36	30	M6 (x4)	Ø10 (x4)	3.5	10	5	2	5.5	Ø6.7

All dimensions shown in mm unless otherwise stated. We reserve the right to alter specifications without notice.



Thousands of products available to buy online



Reliable international delivery service



The UK's leading stockist of locks, handles, hinges gas springs & accessories

Order online at
www.faparkes.co.uk

Your One-Stop-Shop for all your hardware requirements!



FA Parkes Ltd
Unit 4, Acorn Court
Butts Street,
Leigh
Lancashire, UK
WN7 3AE



+44 (0) 1942 681 996



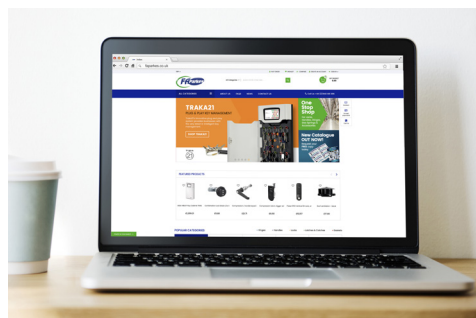
+44 (0) 1942 681 997



www.faparkes.co.uk



sales@faparkes.co.uk



- Search by keyword or part number
- Browse by part type
- Product datasheet downloads
- No sign up required!

