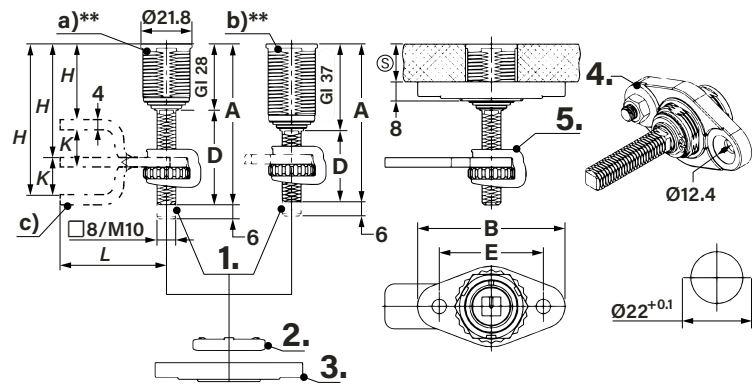


Flush Mounted Compression Latch



- NOTES**
- (S) = Door-thickness max:
 • 13mm at GL 28mm
 • 22mm at GL 37mm
- (S) = Door-thickness min:
 • 1.8mm
- ** = Housing length:
 • a) = 28mm
 • b) = 37mm
1. Compression 6mm
 2. Nut
 3. Anti-rotation device (included in scope of delivery)
 4. Washer when using cylinder head screws or weld studs/nuts
 5. Catch with knurled wheel adjustment



Flush-mounted Compression Latch L28/L37 with knurled wheel adjustment in stainless steel.

Indication of opened/closed position on the housing edge and the insert.

Cam* can be varied to ± 11 mm (GL28) and ± 6 mm (GL37) via provided catch with knurled wheel on the axis.

- Compression: 6mm
- Stainless steel
- Flush mounted version
- Vibration-proof according
- The H-dimension can be varied via the cranking of the cam*
- LH / RH

Part No.	Style	Size	LH/RH	(S)	** a) / b)	A	B	C	D	E
59939	Conical Square	8	LH	max 13	a)	68	62.4	34	40	44
59943	Conical Square	8	LH	max 22	b)	67	62.4	34	30	44
59931	Conical Square	8	RH	max 13	a)	68	62.4	34	40	44
59935	Conical Square	8	RH	max 22	b)	67	62.4	34	30	44
59937	Double Bit	3	LH	max 13	a)	68	62.4	34	40	44
59941	Double Bit	3	LH	max 22	b)	67	62.4	34	30	44
59929	Double Bit	3	RH	max 13	a)	68	62.4	34	40	44
59933	Double Bit	3	RH	max 22	b)	67	62.4	34	30	44
59936	Square	8	LH	max 13	a)	68	62.4	34	40	44
59940	Square	8	LH	max 22	b)	67	62.4	34	30	44
59928	Square	8	RH	max 13	a)	68	62.4	34	40	44
59932	Square	8	RH	max 22	b)	67	62.4	34	30	44
59938	Triangular	8	LH	max 13	a)	68	62.4	34	40	44
59942	Triangular	8	LH	max 22	b)	67	62.4	34	30	44
59930	Triangular	8	RH	max 13	a)	68	62.4	34	40	44
59934	Triangular	8	RH	max 22	b)	67	62.4	34	30	44

*Cams available separately. See 'Cam - 45mm' table for size options.

All dimensions shown in mm unless otherwise stated. We reserve the right to alter specifications without notice.

Order online at
www.faparkes.co.uk

Your One-Stop-Shop for all your hardware requirements!

