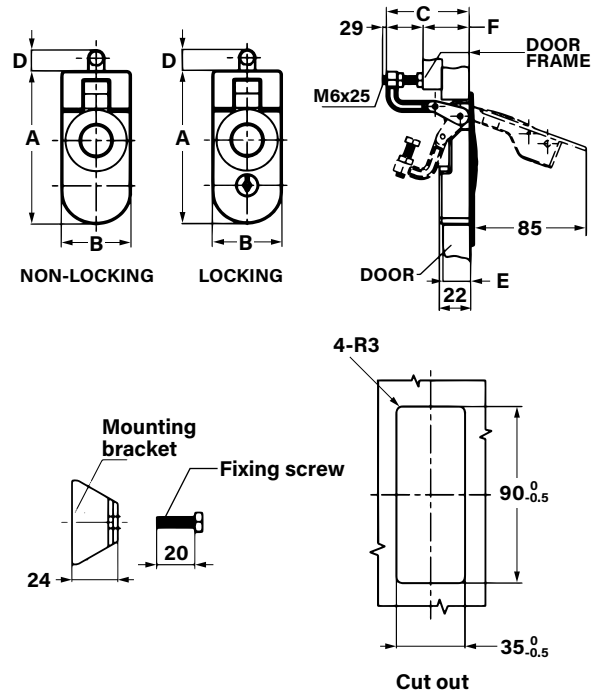


Compression Lever Latch

ZINC



Compression Lever Latch in black with trigger action and adjustable grips.

Suitable applications include office furniture, overhead lockers and vehicle storage boxes.

- Zinc die handle, housing and trigger
- Mild steel zinc plated fixing parts
- Locking or non-locking versions available

Part No.	Style	A	B	C	D	E		F	
						Panel Thickness		Grip Range	
						min	max	min	max
59894	Non-locking	110	50	29	15	1	11	1	14
59895	Locking, Keyed CH751	110	50	29	15	1	11	1	14
59896	Non-locking	110	50	44	15	1	11	14	29
59897	Locking, Keyed CH751	110	50	44	15	1	11	14	29
59898	Non-locking	110	50	60	15	1	11	29	45
59899	Locking, Keyed CH751	110	50	60	15	1	11	29	45

All dimensions shown in mm unless otherwise stated. We reserve the right to alter specifications without notice.

Order online at
www.faparkes.co.uk

Your One-Stop-Shop for all your hardware requirements!

