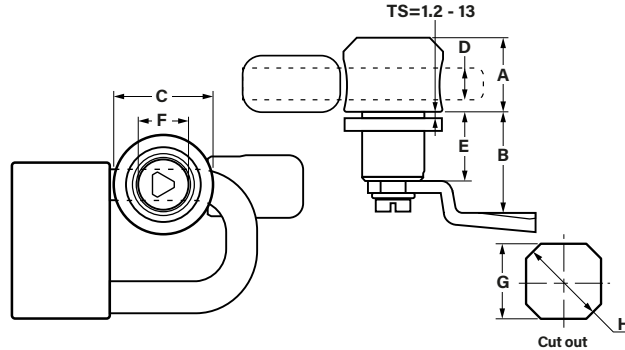


## Padlockable Collar



Padlockable Collar in stainless steel.

Suitable applications include security and access panels, ie utility boxes.

- 316 Stainless steel
- Padlockable
- LH / RH

Part No.	A	B	C	D	E	F	G	H
59343	24	H	Ø32	Ø<13	GH = 22	Ø17.5	□20.1 <sup>+0.1</sup> <sub>0</sub>	Ø22.5 <sup>+0.5</sup> <sub>0</sub>

All dimensions shown in mm unless otherwise stated. We reserve the right to alter specifications without notice.



Thousands of products available to buy online



Reliable international delivery service



The UK's leading stockist of locks, handles, hinges gas springs & accessories

Order online at  
[www.faparkes.co.uk](http://www.faparkes.co.uk)

Your *One-Stop-Shop* for all your hardware requirements!



FA Parkes Ltd  
Unit 4, Acorn Court  
Butts Street,  
Leigh  
Lancashire, UK  
WN7 3AE



+44 (0) 1942 681 996



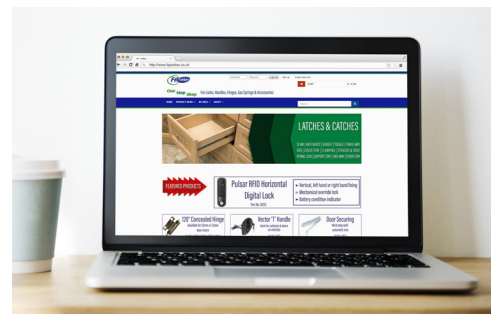
+44 (0) 1942 681 997



[www.faparkes.co.uk](http://www.faparkes.co.uk)



[sales@faparkes.co.uk](mailto:sales@faparkes.co.uk)



- Search by keyword or part number
- Browse by part type
- Product datasheet downloads
- No sign up required!

