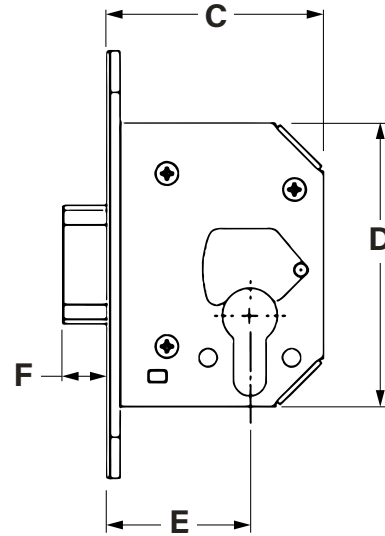
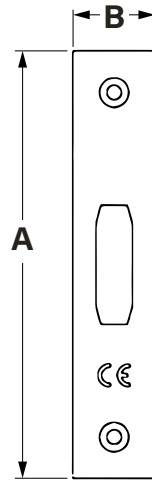


Deadbolt Lock Case (for Union Euro Profile)



Deadbolt Lock Case for use with a Union Euro profile cylinder. Suitable for timber doors hinged on the left or right up to 54mm thick. Ideal for securing drug cabinets.

It has a radius plastic splinter guard for easy installation complete with a 14mm deadbolt for secure positive deadlocking. Radius inner forend for ease of installation.

This Deadbolt Lock Case has anti-saw security features for resistance against attack and a chamfered bolt design increases the performance of the lock under side load testing.

Tested to BS EN 12209:2003

- Case: Steel, red powder coat
- Forend: Stainless steel
- Faceplate: Supplied with square faceplate which covers a radius inner forend
- Deadbolt: Brass with hardened steel rollers
- Latch Bolt: Zinc
- Rebate Kit: 2100REB 13mm (0.5")
- Suitable for use on 30 and 60 min fire doors
- LH / RH

Part No.	A	B	C	D	E	F
58864	134	26	68	89	45	14

All dimensions shown in mm unless otherwise stated. We reserve the right to alter specifications without notice.



Thousands of products available to buy online



Reliable international delivery service



The UK's leading stockist of locks, handles, hinges gas springs & accessories

Order online at

www.faparkes.co.uk

Your One-Stop-Shop for all your hardware requirements!



F.A.PARKES (MOTOR BODY FITTINGS) LIMITED
Unit 4, Acorn Court
Butts Street,
Leigh, Lancashire, UK
WN7 3AE



+44 (0) 1942 681 996



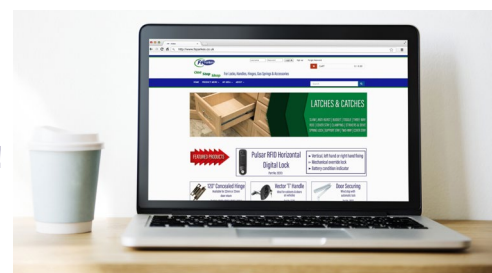
+44 (0) 1942 681 997



www.faparkes.co.uk



sales@faparkes.co.uk



- Search by keyword or part number
- Browse by part type
- Product datasheet downloads
- No sign up required!

