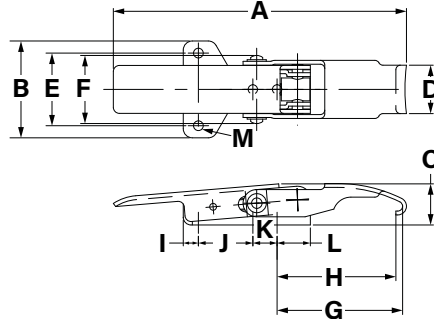


## Toggle Latch



Medium duty adjustable fastener or draw latch with 10mm of screw adjustment.

**STAINLESS  
STEEL**

• Stainless steel 304

Part No.	A	B	C	D	E	F	G	H	I	J	K	L	M
52636	148.8 - 158.8	50.8	21.6	25.4	38.1	35.7	60.9 - 70.9	57.3 - 67.3	7.9	28.6	12.7	17.4	Ø5.1

All dimensions shown in mm unless otherwise stated. We reserve the right to alter specifications without notice.



Thousands of products  
available to buy online



Reliable international  
delivery service



The UK's leading stockist of  
locks, handles, hinges gas  
springs & accessories

Order online at

[www.faparkes.co.uk](http://www.faparkes.co.uk)

Your *One-Stop-Shop* for all your hardware requirements!



**F.A.PARKES (MOTOR  
BODY FITTINGS)  
LIMITED**  
Unit 4, Acorn Court  
Butts Street,  
Leigh, Lancashire, UK  
WN7 3AE



+44 (0) 1942 681 996



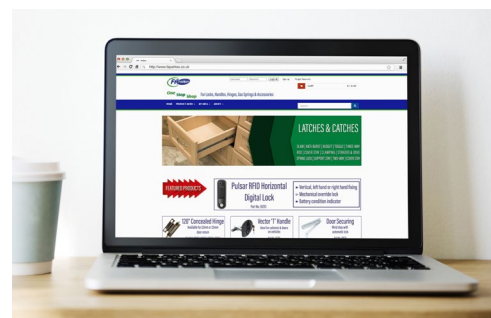
+44 (0) 1942 681 997



[www.faparkes.co.uk](http://www.faparkes.co.uk)



[sales@faparkes.co.uk](mailto:sales@faparkes.co.uk)



- Search by keyword or part number
- Browse by part type
- Product datasheet downloads
- No sign up required!

