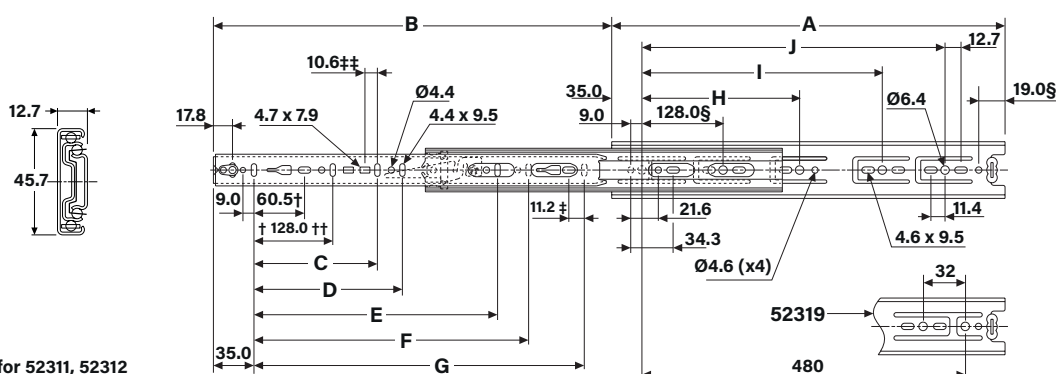


Drawer Slide - Light Duty



§ 52311 = 77.2mm

§§ Hole not available for 52311, 52312

This Light Duty cabinet Drawer Slide is complete with greater strength and movement, full-extension and a lever disconnect feature. This model fits a wide range of applications and drawer sizes, including pull-out shelves, kitchen utensil drawers and point-of-sales trays.

With a hold-in detent preventing roll-out and bounce back, and the silent operation puts this model at the forefront of high-performance movement solutions.

- Load rating of up to 50kg
- 100% extension
- 12.7mm slide thickness (14mm with mounting bracket)
- Front disconnect feature
- Hold-in
- Cam drawer adjust (3.2mm)

Part No.	A	B	C	D	E	F	G	H	I	J	kg	
											W	L
52311	148	138	-	-	-	-	96	-	-	-	0.44	45
52312	199	203	-	-	-	-	141	-	-	-	0.6	46
52313	250	254	-	-	-	-	192	-	-	-	0.76	47
52314	300	305	-	-	-	-	242	224	-	-	0.9	48
52315	350	356	-	-	-	-	292	224	-	-	1.06	49
52316	400	406	-	-	-	-	342	224	320	-	1.22	50
52317	450	457	-	-	320	-	392	224	352	-	1.36	50
52318	500	508	-	-	320	-	442	224	416	-	1.52	50
52319	550	559	-	-	320	416	492	224	352	448	1.68	50
52320	600	610	224	-	416	-	542	224	352	480	1.85	50
52321	650	660	224	-	416	544	592	224	352	544	2	49
52322	700	711	224	288	416	544	642	224	352	544	2.15	48

Table ref. "kg": W = Weight L = Load

All dimensions shown in mm unless otherwise stated. We reserve the right to alter specifications without notice.

Order online at www.faparkes.co.uk

Your One-Stop-Shop for all your hardware requirements!

