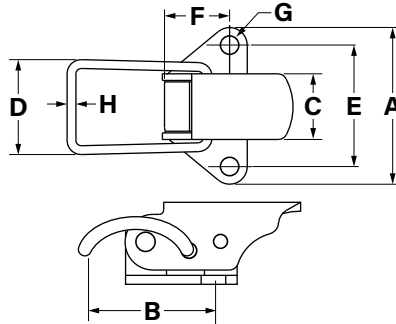


Miniature Latch



Miniature Latch with short curved link.

Install assembly with M4 round head screws (not supplied) or 4mm rivets.

**STAINLESS
STEEL**

• Stainless steel

Part No.	A	B	C	D	E	F	G	H
51945	35.6	21.6	15.2	22	28	15	Ø4.2	Ø2

All dimensions shown in mm unless otherwise stated. We reserve the right to alter specifications without notice.



Thousands of products
available to buy online



Reliable international
delivery service



The UK's leading stockist of
locks, handles, hinges gas
springs & accessories

Order online at

www.faparkes.co.uk

Your *One-Stop-Shop* for all your hardware requirements!



**F.A.PARKES (MOTOR
BODY FITTINGS)
LIMITED**
Unit 4, Acorn Court
Butts Street,
Leigh, Lancashire, UK
WN7 3AE



+44 (0) 1942 681 996



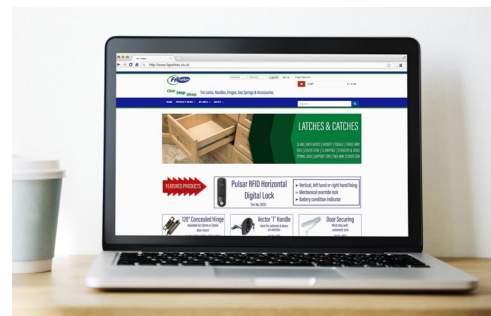
+44 (0) 1942 681 997



www.faparkes.co.uk



sales@faparkes.co.uk



- Search by keyword or part number
- Browse by part type
- Product datasheet downloads
- No sign up required!

