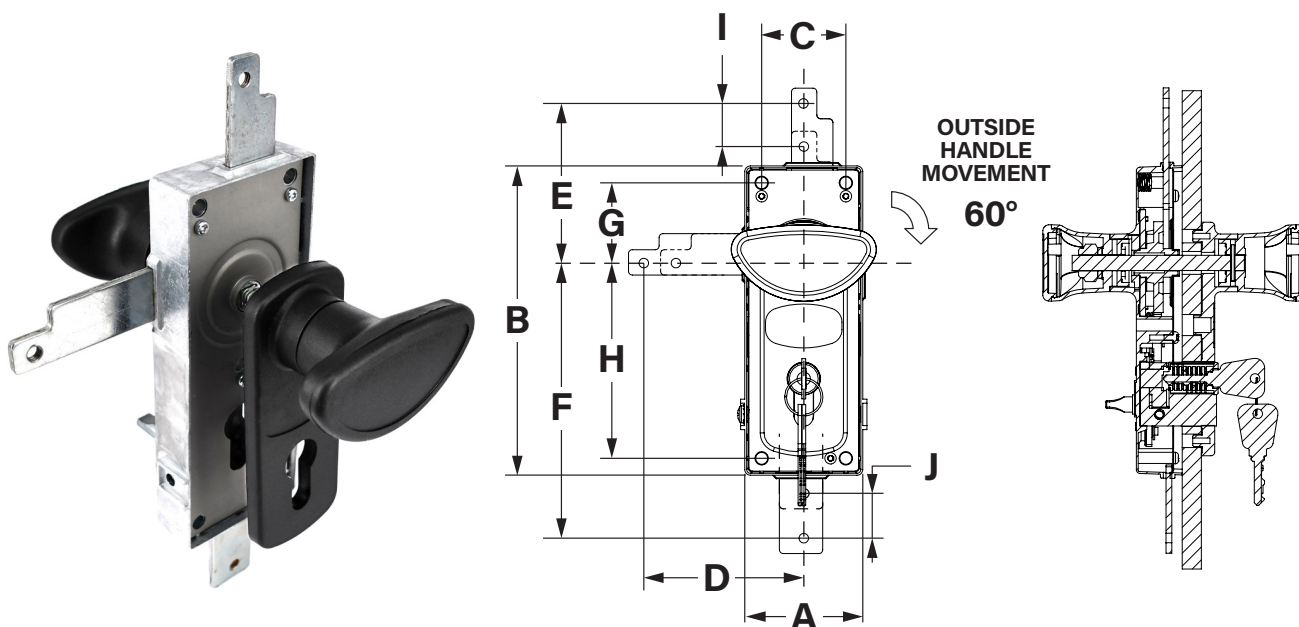


Garage Door Handle

ZINC



Garage door handle in black.

Supplied without profile cylinder N.S.E

Maximum recommended door section = lock length - 29mm.

- Linear actuator version
- Spindle 9999122
- Raw zinc casting

	A	B	C	D	E	F	G	H	I	J
Part No.										
51865	66	161.6	44	83	83	143	42	102	22	22

All dimensions shown in mm unless otherwise stated. We reserve the right to alter specifications without notice.



Thousands of products available to buy online



Reliable international delivery service



The UK's leading stockist of locks, handles, hinges gas springs & accessories

Order online at
www.faparkes.co.uk

Your One-Stop-Shop for all your hardware requirements!

