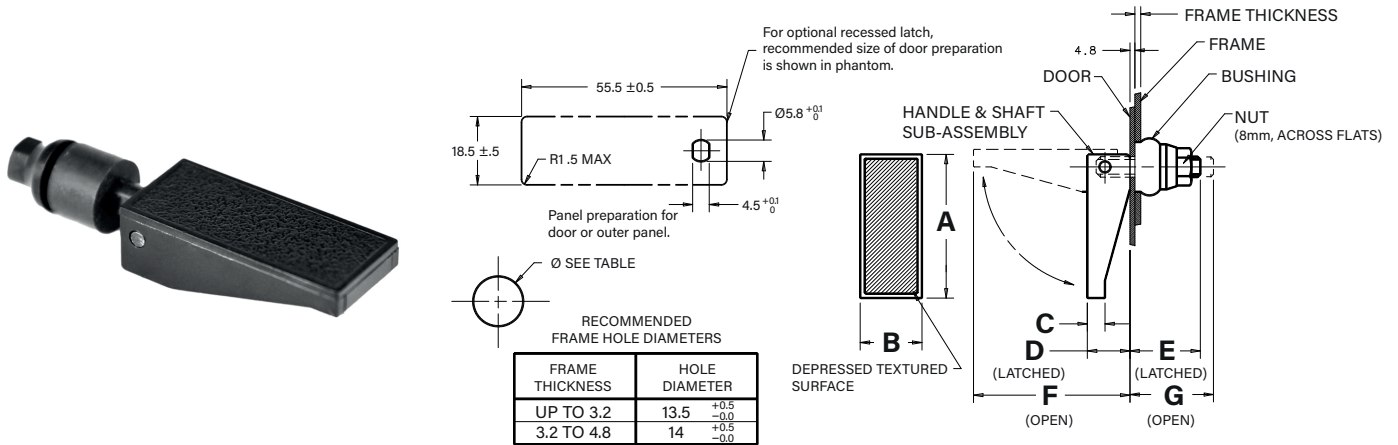


Swell Latch




Swell latch in nylon material with black finish.


Convenient single-hole mounting.


- Nylon
- Black finish
- LH / RH

| Part No. | A | B | C | D | E | F | G |
|----------|----|----|---|------|----|----|------|
| 51697 | 39 | 17 | 5 | 11.5 | 19 | 39 | 22.5 |

All dimensions shown in mm unless otherwise stated. We reserve the right to alter specifications without notice.

 Thousands of products available to buy online

 Reliable international delivery service

 The UK's leading stockist of locks, handles, hinges gas springs & accessories

Order online at
www.faparkes.co.uk

Your *One-Stop-Shop* for all your hardware requirements!

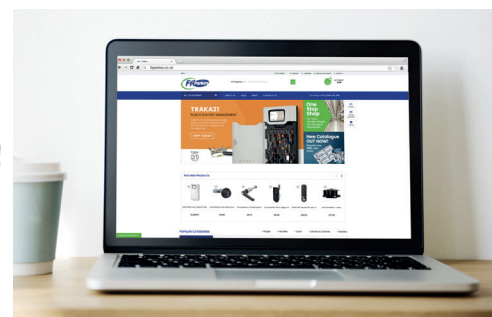
 FA Parkes Ltd
Unit 4, Acorn Court
Butts Street,
Leigh
Lancashire, UK
WN7 3AE

 +44 (0) 1942 681 996

 +44 (0) 1942 681 997

 www.faparkes.co.uk

 sales@faparkes.co.uk



- Search by keyword or part number
- Browse by part type
- Product datasheet downloads
- No sign up required!

