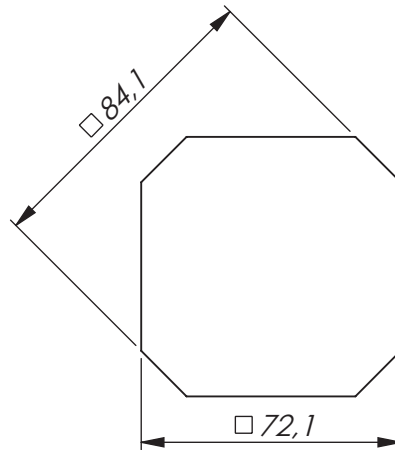
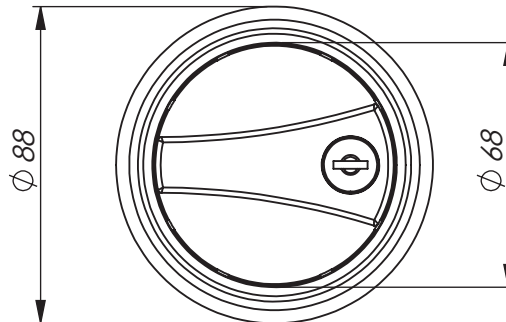
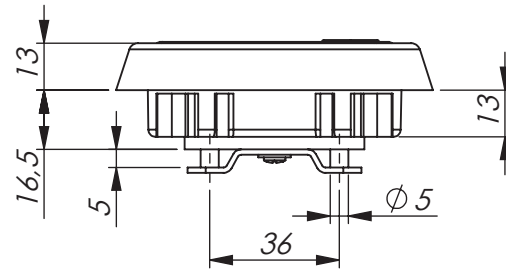




Universal LH / RH



Specifications subject to change without notice

CIRCULAR LATCH FOR CLIP-IN MOUNTING

Circular latch for clip-in mounting and rod latches. Quick rod attachment. Cam rotation is 90° clockwise or counter-clockwise. Universal right and left mounting in a door thickness of 0,8 - 1,0 mm. The cylinder has 1000 key combinations. Supplied with two keys.

Key extraction: Open / closed.
Master key system available.

Rods: Page 2-540 and 2-541.
Rod guides: Page 2-560 and 2-570.

MATERIAL:

Housing: Glass fibre reinforced polyamide (PA6), black.
Handle: Zinc die-cast, silver-grey coated.
Cylinder: Zinc die-cast, stainless steel (304) cap and dust shutter.
Cam and clip: Steel, zinc plated.

CIRCULAR LATCH FOR CLIP-IN MOUNTING

P/N	Description	Cam
723101032	Keyed to differ	Two-point
723101032-1	Keyed alike	Two-point
723101080	Keyed to differ	Three-point
723101080-1	Keyed alike	Three-point