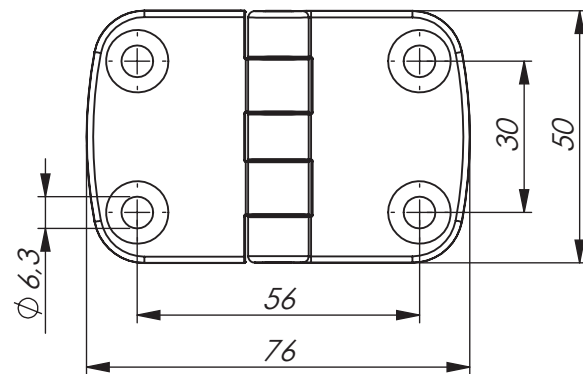


180° Opening angle



Universal LH / RH



Specifications subject to change without notice

## EXTERNAL HINGE 50 x 76 mm - 180° OPENING ANGLE

Hinge with cast-in bolts and / or countersunk holes. Universal left and right mounting. Opening angle 180°. Nuts or washers are not supplied with the hinge, but may be ordered separately (see part numbers below).

### Accessories:

P/N: 022141, Nut for M6.

P/N: 032155, Locking washer for M6.

### MATERIAL:

Hinge parts: Zinc die-cast, black texture powder coated.

Hinge pin and bolts: Stainless steel (303).

Nut and locking washer: Steel, zinc plated.

### EXTERNAL HINGE 50 x 76 mm - 180° OPENING ANGLE

P/N black	Holes	Bolts	Drawing
3216-600764-30	4 x Ø 6,3	-	A
3216-610764-30	-	4 x M6	B
3216-620764-30	2 x Ø 6,3	2 x M6	C