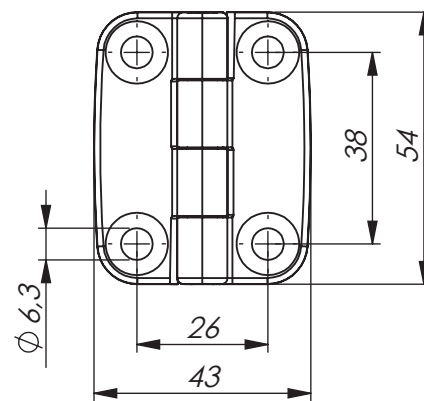


180° Opening angle

Universal LH / RH



EXTERNAL HINGE 54 x 43 mm - 180° OPENING ANGLE

Hinge for mounting with cast-in stainless steel bolts and / or countersunk holes. Universal left and right mounting. Opening angle 180°. Nuts or washers are not supplied with the hinge, but may be ordered separately (see part numbers below).

Accessories (steel):

P/N: 022141, M6-nut.

P/N: 032155, M6 locking washer.

MATERIAL:

Hinge: Zinc die-cast, black coated.

Cast-in bolts and hinge pin: Stainless steel (303).

Nut and locking washer: Steel, zinc plated.

EXTERNAL HINGE 54 x 43 mm - 180° OPENING ANGLE			
P/N black	Holes	Bolts	Drawing
3216-600544-30	4 x Ø 6,3	-	A
3216-610544-30	-	4 x M6	B
3216-620544-30	2 x Ø 6,3	2 x M6	C

Specifications subject to change without notice