


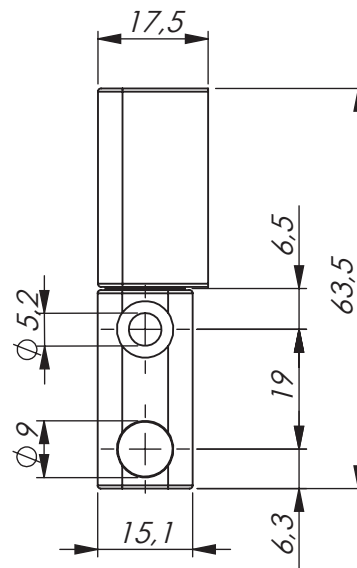


-  180° Opening angle
-  Universal LH / RH
-  Lift-off



Specifications subject to change without notice

## EXTERNAL LIFT-OFF HINGE FOR SURFACE MOUNTED DOOR - 180° OPENING ANGLE

Lift-off hinge for external mounting for surface mounted doors. Concealed screws on the door part mounted from the inside - and screws on the frame part mounted from the front. Supplied with plastic covers for recessed hexagon M5-screw according to DIN 912. Opening angle 180°. Universal right and left mounting.

**MATERIAL:**

Hinge: Zinc die-cast, black powder coated.  
Other surface treatments on request.

EXTERNAL LIFT-OFF HINGE FOR SURFACE MOUNTED DOOR -180° OPENING ANGLE	
P/N	Material
321536	Zinc