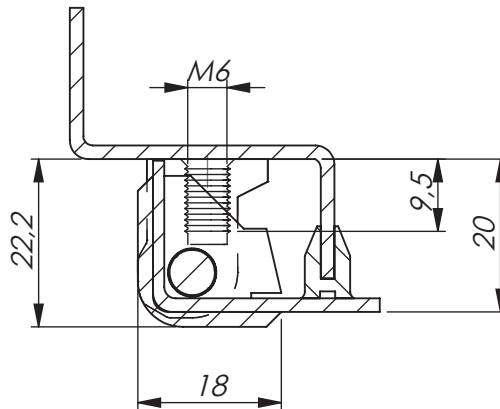


Opening angle



Universal LH / RH



Specifications subject to change without notice

CORNER HINGE - 180° OPENING ANGLE

Corner hinge for surface mounted doors. Frame part is mounted using one screw from the inside. The door part is attached to the door and the pin is inserted into the hinge. Universal left and right mounting. Opening angle 180°. For plate thickness 1,8 - 2,25 mm.

MATERIAL:

Hinge: Zinc die-cast, chrome plated, black coated or black chromated.
Pin: Steel, zinc plated.

CORNER HINGE - 180° OPENING ANGLE		
P/N	Surface treatment	Pin L = mm
321335	Chrome	43
321635	Black coated	43
321235	Black chromated	43
321334	Chrome	70
321634	Black coated	70
321234	Black chromated	70