


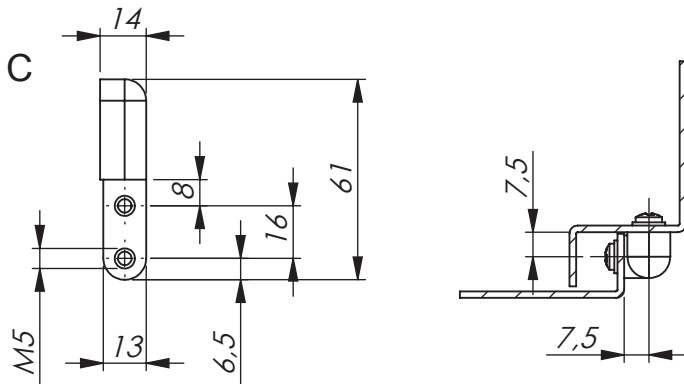


-  180° Opening angle
-  Universal LH / RH
-  Lift-off



Specifications subject to change without notice

EXTERNAL LIFT-OFF HINGE - 180° OPENING ANGLE

Lift-off hinge for external mounting on cabinets with surface mounted doors. Concealed mounting from the inside, using either two screws and two studs - or four screws. Opening angle 180°. Universal left and right mounting.

MATERIAL:

Hinge: Zinc die-cast, chrome plated or black coated.

| EXTERNAL LIFT-OFF HINGE - 180° OPENING ANGLE | | | | |
|--|------------|-------------------|--------|---------|
| P/N | Size | Surface treatment | Screws | Drawing |
| 321332 | 7,5 / 7,5 | Chrome | 2 x | A |
| 321532 | 7,5 / 7,5 | Black | 2 x | A |
| 321331 | 7,5 / 10,5 | Chrome | 4 x | B |
| 321531 | 7,5 / 10,5 | Black | 4 x | B |
| 321330 | 7,5 / 7,5 | Chrome | 4 x | C |
| 321530 | 7,5 / 7,5 | Black | 4 x | C |