

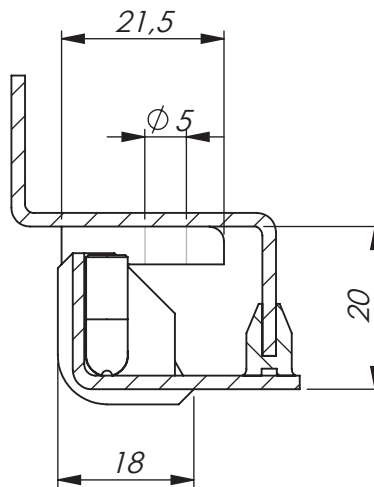


-  180° Opening angle
-  Universal LH / RH



Specifications subject to change without notice

CORNER HINGE - 180° OPENING ANGLE

Corner hinge for surface mounted doors. Frame part is mounted using one screw from the inside. The door part is attached to the door and the pin is inserted into the hinge. Universal left and right mounting. Opening angle 180°. For plate thickness 1,0 - 1,5 mm. Supplied with special pin for grounding.

MATERIAL:

Hinge: Zinc die-cast, chrome plated, black coated or black chromated.
Pin: Hardened steel.

CORNER HINGE - 180° OPENING ANGLE	
P/N	Description
321328	Chrome
321627	Black coated
321227	Black chromated