

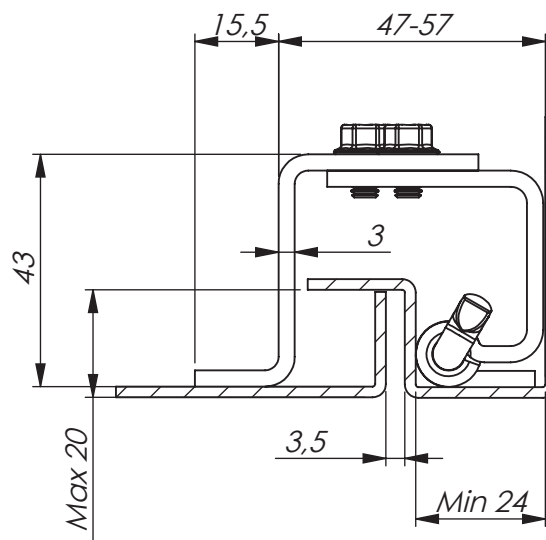
Opening angle



Universal LH / RH



Adjustable 10 mm



Specifications subject to change without notice

ADJUSTABLE CONCEALED HINGE - 100° OPENING ANGLE

Adjustable concealed hinge for weld-on mounting. Universal left and right mounting. Opening angle 100°. Door part adjustable 10 mm horizontally.

MATERIAL:

Door-part, Z-shaped: Steel, zinc plated.

Door part, rolled: Steel, unplated. (For welding.)

Frame part: Steel, unplated. (For welding.)

Screw, nut and pin: Steel, zinc plated.

ADJUSTABLE CONCEALED HINGE - 100° OPENING ANGLE

P/N	Material
312101	Steel