

Specifications subject to change without notice

INTERLINK RODS - SYSTEM KLIMAFLEX™

Interlink rods - system Klimaflex™ for HVAC* applications. To operate two or more locking units with one handle, they can be connected with an interlink rod and rod links. The rod link clamps onto the interlink rod, enabling you to connect several latching units to one handle. Supplied in fixed lengths or custom lengths according to table.

Special rod-lengths (marked ¹) on request only.

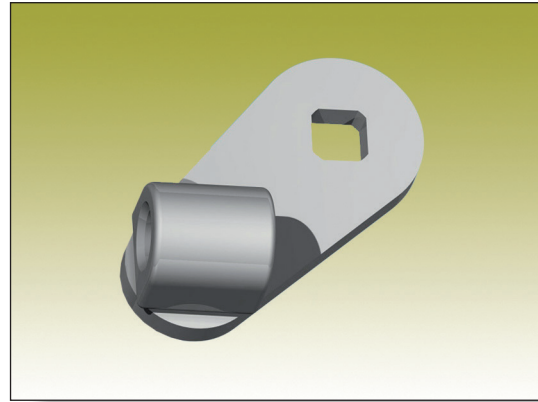
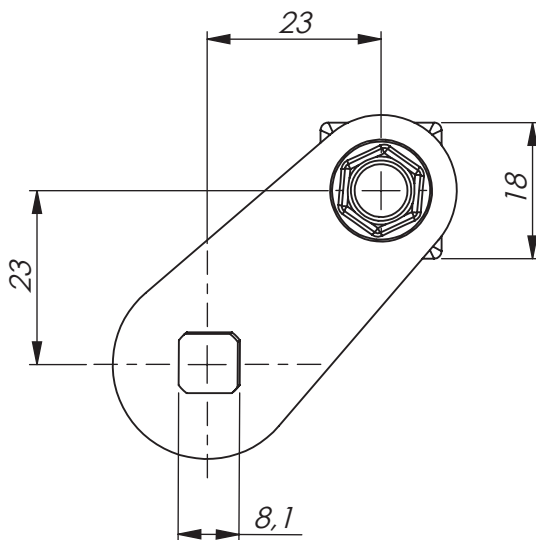
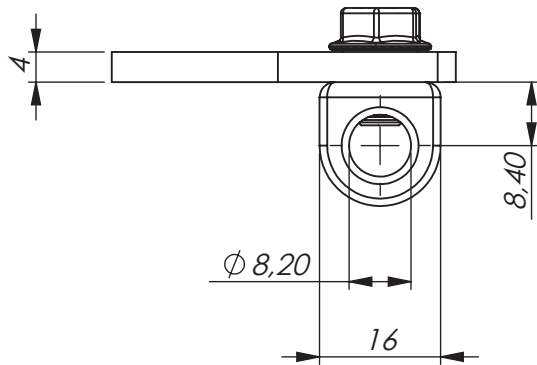
*HVAC = Heating, Ventilation and Air Conditioning.

Rod link: Page 2-313b.

MATERIAL:

Steel, zinc plated.

INTERLINK RODS - SYSTEM KLIMAFLEX™			
P/N	Description	P/N	Description
282150-900	L=900 mm	282150-1000	L=1000 mm
282150-1100	L=1100 mm	282150-1200	L=1200 mm
282150-1300	L=1300 mm	282150-1400	L=1400 mm
282150-1500	L=1500 mm	282150-1600	L=1600 mm
282150-1700	L=1700 mm	282150-L ¹	L=Custom rod length in mm



ROD LINK - SYSTEM KLIMAFLEX™

Rod link - system Klimaflex™ for HVAC* applications. To operate two or more locking units with one handle, they can be connected with an interlink rod and rod links. The rod link clamps onto the interlink rod, enabling you to connect several latching units to one handle.

*HVAC = Heating, Ventilation and Air Conditioning.

Interlink Rods: Page 2-313a.

MATERIAL:

Link: Steel, zinc plated.

Rod connection: Zinc die-cast, zinc plated.

Screw: Steel, zinc plated.

ROD LINK - SYSTEM KLIMAFLEX™

P/N	Description
265079-10	Rod link