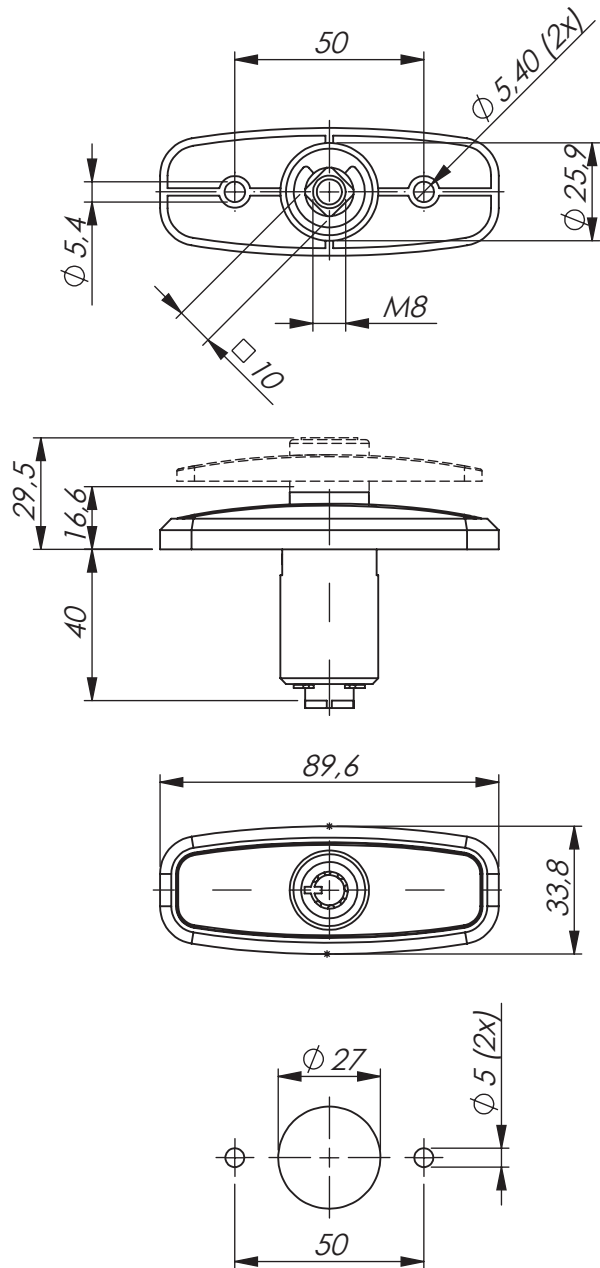


Universal LH / RH



Specifications subject to change without notice

LOCKABLE FLUSH POP-OUT T-HANDLE

T-handle with tubular lock cylinder. When the cylinder is opened, the handle pops out and can be turned. To lock the handle, push it back. Mounted with countersunk screws (not included). Master key system available upon request.

Supplied with two keys.
Key extraction: Open / closed.
Cam: Supplied on request.

MATERIAL:

Handle, cylinder and housing: Zinc die-cast, chrome plated or black coated.
Cylinder: Steel, zinc plated.

LOCKABLE FLUSH POP-OUT T-HANDLE

P/N	Cylinder	Surface treatment
251380	Keyed alike	Chrome
251580	Keyed alike	Black
251380-1	Keyed to differ	Chrome
251580-1	Keyed to differ	Black