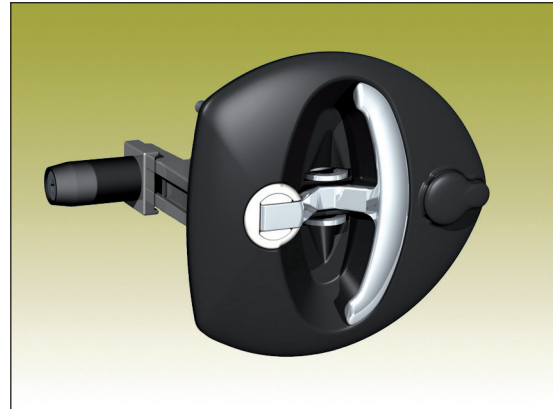



Specifications subject to change without notice

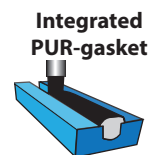


IP65 Protection degree

 Padlock loop

 Dust cover option

 Universal LH / RH



VECTOR™ T-HANDLE WITH CAST-IN BOLTS

Flush T-handle with a 4 mm compression stroke, in zinc or stainless version. Cast-in bolts for mounting with nut. (Maximum tightening torque 2,2 Nm). The Vector™ T-handle features two independent locking systems: key-locking cylinder and retractable padlock loop (Ø 8 mm) which prevents the handle to be lifted or turned. Handle rotation 90° right, 90° left or 180°. Five different cam versions available. Supplied with cylinder dust-cover. Locking handle supplied with two keys. Key extraction: Open / closed.

Protection degree IP65.

On request the handle can be supplied with a separate, unassembled cylinder. This will simplify handling and enable smooth adaptation to different key combinations for various needs.

Example: Handle in zinc die-cast, black, keyed alike, 90° counter-clockwise rotation and fixed roller cam = P/N: 275063-68V5861.

For rods that fit the two- and three-point cams, see pages 2-540 to 2-545.

MATERIAL:

Body and roller: Glass fibre reinforced polyamide (PA6), black. Handle: Zinc die-cast, chrome plated, black texture powder coated or stainless steel (304), plain or black texture powder coated.

Fixed cam and cast-in bolts: Steel, zinc plated.

Adjustable cam: Zinc die-cast, passivated.

Shaft: Zinc, zinc plated, steel, zinc plated or stainless steel (304).

Padlock loop: Stainless steel (304).

Cylinder: Zinc die-cast, stainless steel (304) cap and dust shutter.

* Other dimensions on request.

CREATE P/N FOR VECTOR™ T-HANDLE (AAAAA-BBCDDDD)

AAAAA-	Handle/shaft	Handle	BB	Cylinder	C	Opening rotation	DDDD	Cam	H =	L =
272063-	Zinc/steel	Black	52	Keyed to differ	H	90° clockwise	5861	* Fixed roller cam	58	61
272363-	Zinc/steel	Chrome	68	Keyed alike (805)	V	90° counter-clockwise	S5400	Two-point cam	-	-
273063-	SS (304)/(303)	Black			-	180°	S6685	* Fixed three-point roller cam	66	85
273963-	SS (304)/(303)	Plain					S	Adjustable three-point cam	10-60	61
275063-	Zinc/zinc	Black					S1	Adjustable single point cam	10-60	61
275363-	Zinc/zinc	Chrome								

Specifications subject to change without notice