
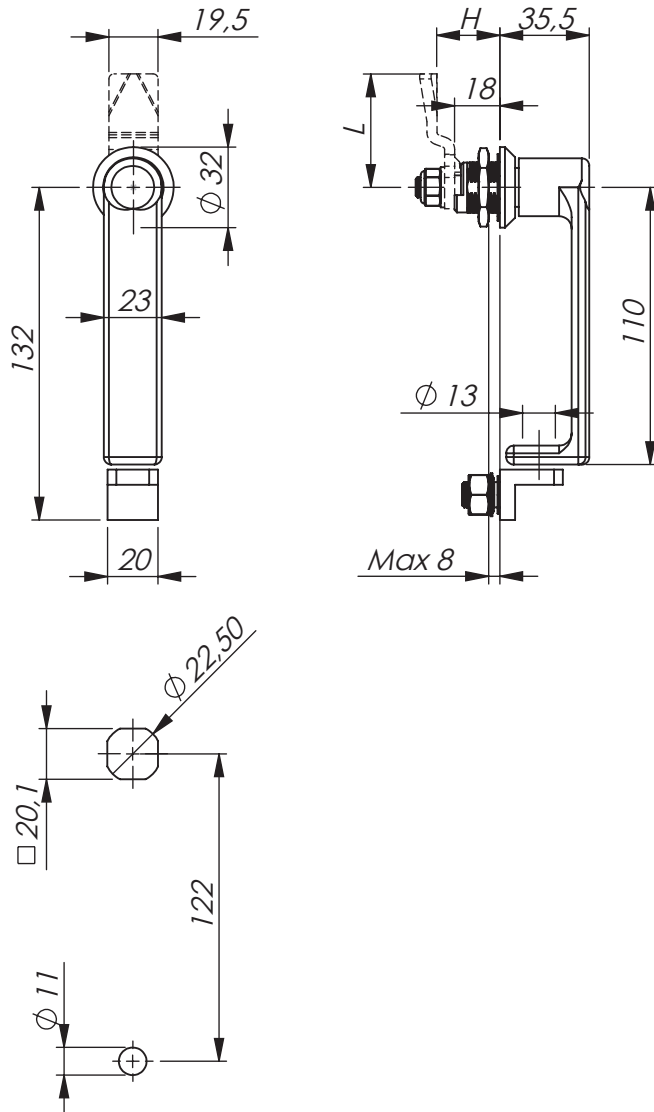


IP65 Protection degree

 Padlock loop

 Universal LH / RH



Specifications subject to change without notice

PADLOCKABLE ALUMINIUM L-HANDLE - 18 mm



Aluminium L-handle with eyelet for padlock. Universal clockwise or counter-clockwise rotation when opening / closing. Supplied with nut. Protection degree IP65.

Stainless version: Page 6-170.

Cams: Page 2-480, 2-490 and 2-510.
Rods: Page 2-540, 2-541 and 2-545.

MATERIAL:

Housing: Zinc die-cast, black coated.
Handle and eyelet: Aluminium, black coated.
Standard and Earthing nut: Zinc die-cast, zinc plated.
Steel parts: Zinc plated.

PADLOCKABLE ALUMINIUM L-HANDLE - 18 mm	
P/N	Nut
264566	Standard
264567	Earthing nut