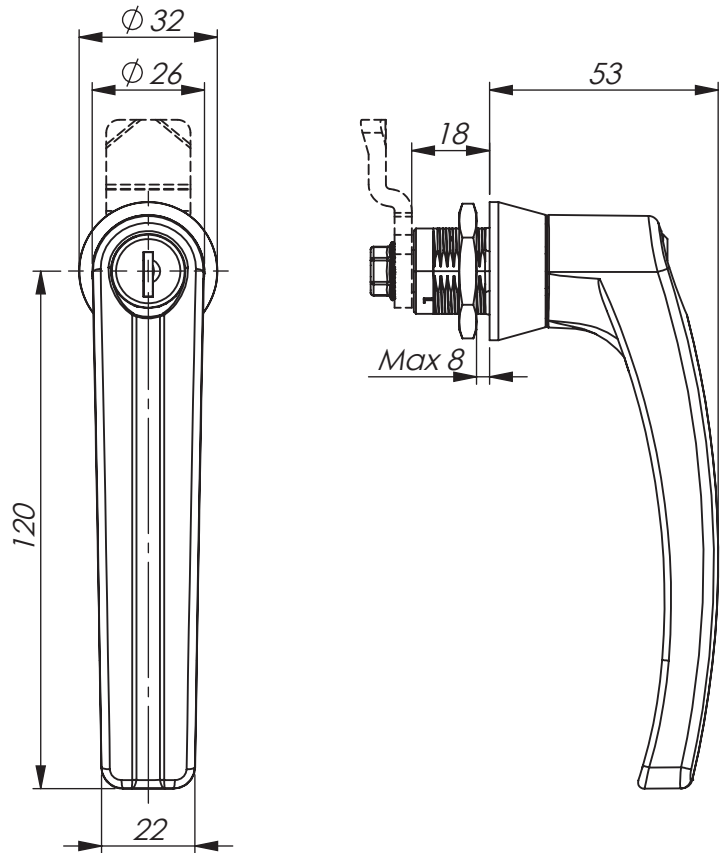




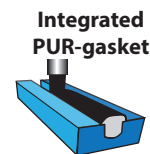
IP65 Protection degree

 Universal LH / RH



Specifications subject to change without notice

LRP QUARTER-TURN L-HANDLE - 18 mm



Quarter-turn L-handle in locking or non-locking version. Universal clockwise or counter-clockwise rotation when opening / closing. Supplied with nut. Protection degree IP65.

* Master key system on request.

Cams: Page 2-481, 2-491 and 2-510.

Rods: Page 2-540, 2-541 and 2-545.

MATERIAL:

Housing and handle: Zinc die-cast, silver coated or black texture powder coated.

Cylinder: Zinc die-cast, stainless steel (304) cap and dust shutter.

Nut: Zinc die-cast, zinc plated.

Screw: Steel, zinc plated.

LRP QUARTER-TURN L-HANDLE - 18 mm

P/N	Surface treatment	Cylinder
261905	Silver	Non-locking
261605	Black	Non-locking
261906	Silver	Keyed alike IL101
261606	Black	Keyed alike IL101
261907	Silver	Keyed alike IL0333
261607	Black	Keyed alike IL0333
261908	Silver	Keyed to differ *
261608	Black	Keyed to differ *