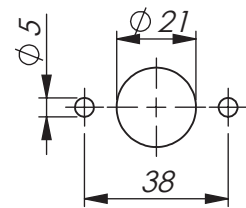
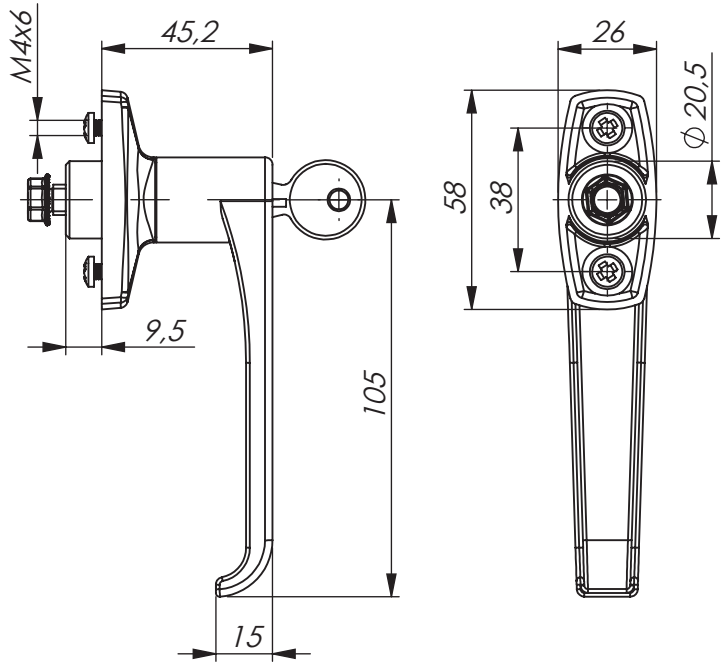


IP54 Protection degree



QUARTER-TURN L-HANDLE

Quarter-turn L-handle in locking or non-locking version. Housing for assembly with screws from inside. Open by turning handle clockwise or counter-clockwise (see table). Supplied with cam nut, two mounting screws and two keys. Protection degree IP54.

Key extraction: Open / closed.
* Master key system on request.

Cams: Page 2-481, 2-491 and 2-510.
Rods: Page 2-540, 2-541 and 2-545.

MATERIAL:

Housing and handle: Zinc die-cast, chrome plated or black coated.
Cylinder: Zinc die-cast, stainless steel (304) cap and dust shutter.
Screws and nut: Steel, zinc plated.

QUARTER-TURN L-HANDLE			
P/N	Cylinder	Surface treatment	Opening
261376-00	Non-locking	Chrome	Counter-clockwise
261376-04	Non-locking	Chrome	Clockwise
261576-00	Non-locking	Black	Counter-clockwise
261576-04	Non-locking	Black	Clockwise
261376-03	Keyed alike IL101	Chrome	Counter-clockwise
261376-07	Keyed alike IL101	Chrome	Clockwise
261576-03	Keyed alike IL101	Black	Counter-clockwise
261576-07	Keyed alike IL101	Black	Clockwise
261376-01	Keyed alike IL0333	Chrome	Counter-clockwise
261376-05	Keyed alike IL0333	Chrome	Clockwise
261576-01	Keyed alike IL0333	Black	Counter-clockwise
261576-05	Keyed alike IL0333	Black	Clockwise
261376-02	Keyed to differ *	Chrome	Counter-clockwise
261376-06	Keyed to differ *	Chrome	Clockwise
261576-02	Keyed to differ *	Black	Counter-clockwise
261576-06	Keyed to differ *	Black	Clockwise

Specifications subject to change without notice