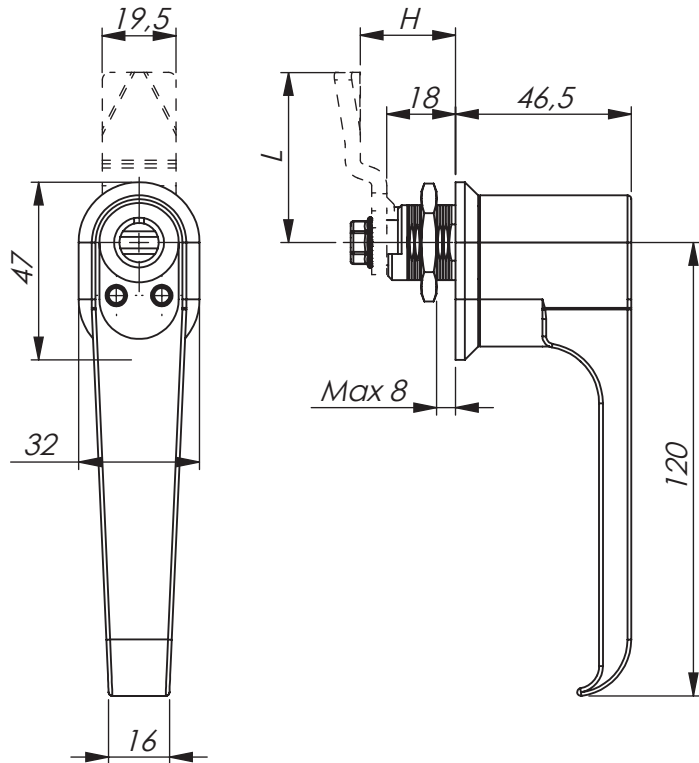




IP54 Protection degree



L-HANDLE FOR SCANDINAVIAN OVAL CYLINDER

L-handle for Scandinavian oval cylinder. For right hinged door. Open by turning counter-clockwise. Supplied with nut. Combi cut-out, with an additional hole. Protection degree IP54.

Cams: Page 2-480, 2-490 and 2-510.
Rods: Page 2-540, 2-541 and 2-545.

L-HANDLE FOR SCANDINAVIAN OVAL CYLINDER			
P/N	L-handle	P/N	Cylinders
261572	L-handle for 6- or 7-pin cylinder	248801-3	6-pin cylinder - keyed alike
		248801-4	6-pin cylinder - keyed to differ

MATERIAL:

Housing and handle: Zinc die-cast, black powder coated.
Nut: Zinc die-cast, zinc plated.
Screw: Steel, zinc plated.

Specifications subject to change without notice