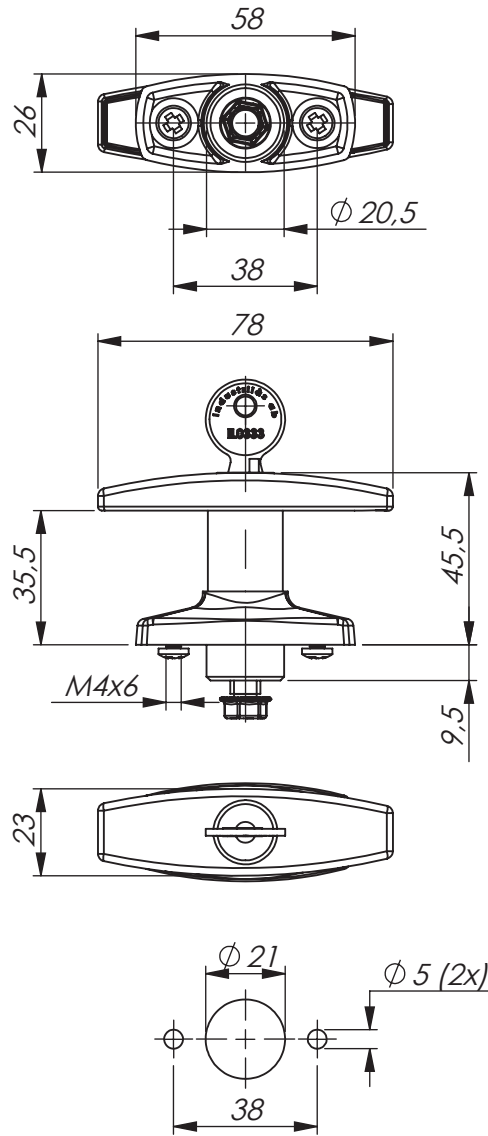


**IP54** Protection degree



## QUARTER-TURN T-HANDLE

Quarter-turn T-handle in locking or non-locking version. Housing for assembly with screws from inside. Open by turning handle clockwise or counter-clockwise (see table). Supplied with two mounting screws and two keys. Protection degree IP54.

Key extraction: Open / closed.  
\* Master key system on request.

Cams: Page 2-481, 2-491 and 2-510.  
Rods: Page 2-540, 2-541 and 2-545.

### MATERIAL:

Housing and handle: Zinc die-cast, chrome plated or black coated.  
Cylinder: Zinc die-cast, stainless steel (304) cap and dust shutter.  
Screws: Steel, zinc plated.

QUARTER-TURN T-HANDLE			
P/N	Cylinder	Surface treatment	Opening
251376-00	Non-locking	Chrome	Counter-clockwise
251376-04	Non-locking	Chrome	Clockwise
251576-00	Non-locking	Black	Counter-clockwise
251576-04	Non-locking	Black	Clockwise
251376-03	Keyed alike IL101	Chrome	Counter-clockwise
251376-07	Keyed alike IL101	Chrome	Clockwise
251576-03	Keyed alike IL101	Black	Counter-clockwise
251576-07	Keyed alike IL101	Black	Clockwise
251376-02	Keyed to differ *	Chrome	Counter-clockwise
251376-06	Keyed to differ *	Chrome	Clockwise
251576-02	Keyed to differ *	Black	Counter-clockwise
251576-06	Keyed to differ *	Black	Clockwise

Specifications subject to change without notice