



COMPLETE VIBRATION RESISTENT COMPACT QUARTER-TURN LATCH - 13,5 mm

Example: Housing - chrome plated A=20 B=3, brass nut, insert - square 6 - chrome plated, IP65-assembled, cam - zinc plated H=16,5 mm L=27 mm = P/N 2452-001250-1627.

Knobs and handles: Page 2-111.
Keys: Page 2-370 and 2-372.

Protection degree IP65 is achieved with an O-ring on the insert and a gasket on the housing.

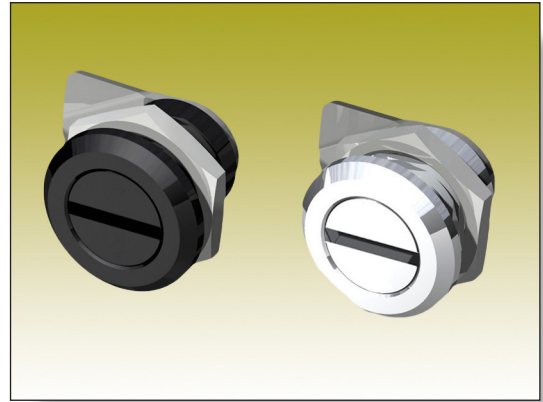
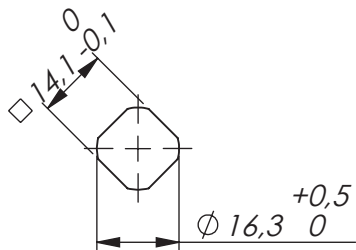
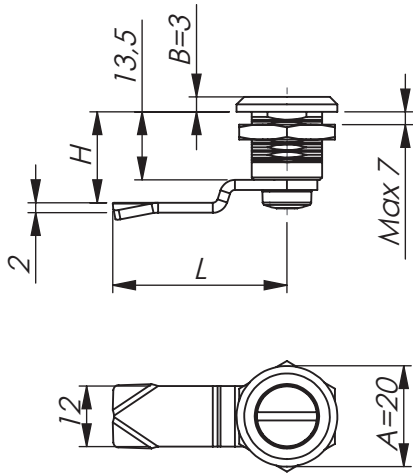
MATERIAL:

Housing and insert: Zinc die-cast, chrome plated or black coated.
Standard nut: Brass.
Cam and screw: Steel, zinc plated.
Washer: Stainless steel (304).

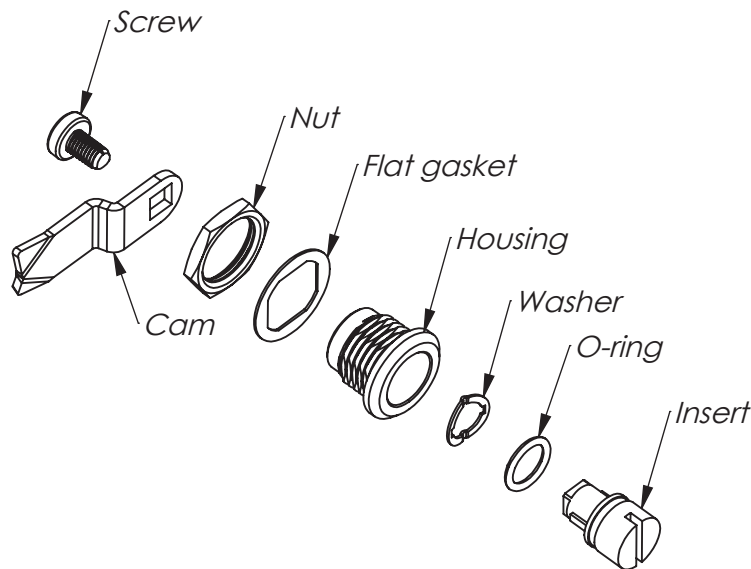
Stainless version on page 6-130a and 6-130b.
SN = Standard nut.

Specifications subject to change without notice

CREATE P/N FOR COMPLETE VIBRATION RESISTENT COMPACT QUARTER-TURN LATCH - 13,5 mm (AAAA-BCCDEF-GGGG)													
AAAA-	Housing	B	Nut	CC	Insert	D	Surface	E	Assembly	F	Cam	-GGGG	H/L in mm
2452-	Zinc - chrome A=20 B=3	0	SN	01	Square 6	2	Chrome	0	IP54 - not assembled	0	Steel	-0000	No cam
2456-	Zinc - black A=20 B=3			02	Square 6 / M3	6	Black	1	IP65 not assembled			-0724	7,5/24
				13	Triangle 6,5			2	IP54 cam enclosed			-0727	7,5/27
				26	Slotted			3	IP65 - cam enclosed			-0730	7,5/30
				33	Recessed Hexagon 6			4	IP54 assembled			-0934	9/34
								5	IP65 assembled			-1027	10,5/27
												-1324	13,5/24
												-1327	13,5/27
												-1627	16,5/27
												-1834	18/34
												-1924	19,5/24
												-1927	19,5/27
												-2824	28/24



-  IP65 Protection degree
-  Universal LH / RH



COMPLETE VIBRATION RESISTANT COMPACT QUARTER-TURN LATCH - 13,5 mm

A complete latch consists of housing, nut, insert, washer, screw and cam. Protection degree IP65 is achieved by an O-ring on the insert and a flat gasket on the housing. Can be supplied un-assembled, pre-assembled with enclosed cam or completely assembled.

Specifications subject to change without notice