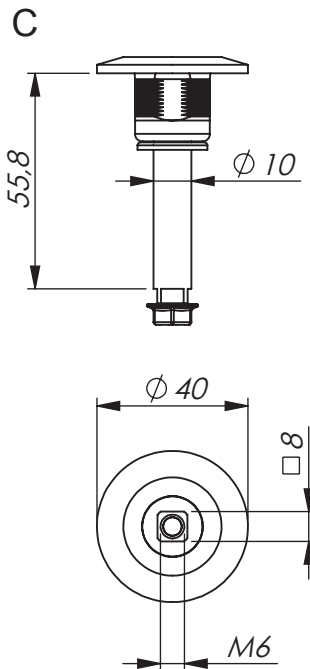
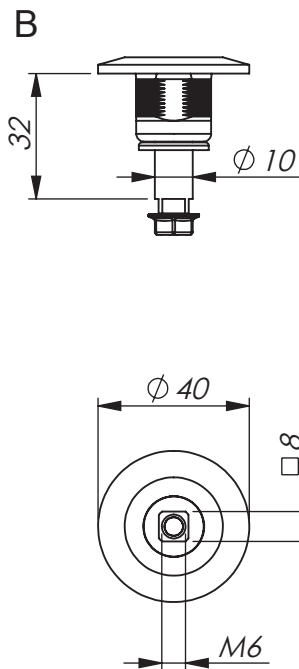


Universal LH / RH



Specifications subject to change without notice



QUARTER-TURN LATCH FOR INSULATED DOORS 30 - 50 mm

Quarter-turn latch for insulated doors, with insert square 8 / M6. Assembled to the door with a spacer nut, or the inner escutcheon.

The latch is supplied with an M6-screw for attaching a cam.

Cams: Page 2-481 2-491.

Knobs and handles: Page 2-360.

Keys: Page 2-370 and 2-372.

Spacer nuts: Page 2-410.

MATERIAL:

Housing and escutcheon: Glass fibre reinforced polyamide (PA6), black.

Insert: Zinc die-cast, zinc plated.

Washer and screw: Steel, zinc plated.

QUARTER-TURN LATCH FOR INSULATED DOORS 30 - 50 mm

P/N	Description	Drawing
295050	Inner escutcheon with O-ring	A
245010-30	Latch 30 mm	B
245010-50	Latch 50 mm	C