



**COMPLETE VIBRATION RESISTANT
QUARTER-TURN LATCH - 18 mm**



Example: Housing - chrome plated A=28 B=4, zinc nut, insert square 8 - chrome plated, IP65-assembled, cam - zinc plated H=22 mm L= 45 mm = P/N 2412-005250-2245.

Nuts:
SN = Standard nut.
EN = Earthing nut.

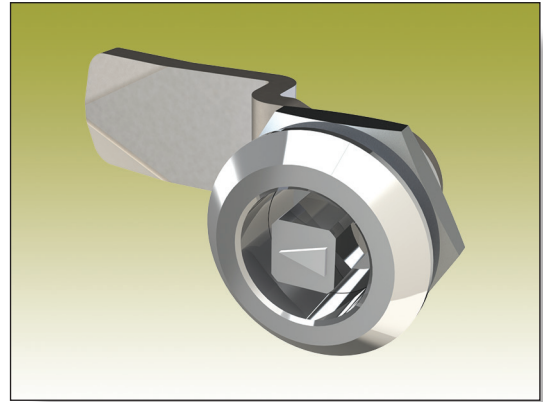
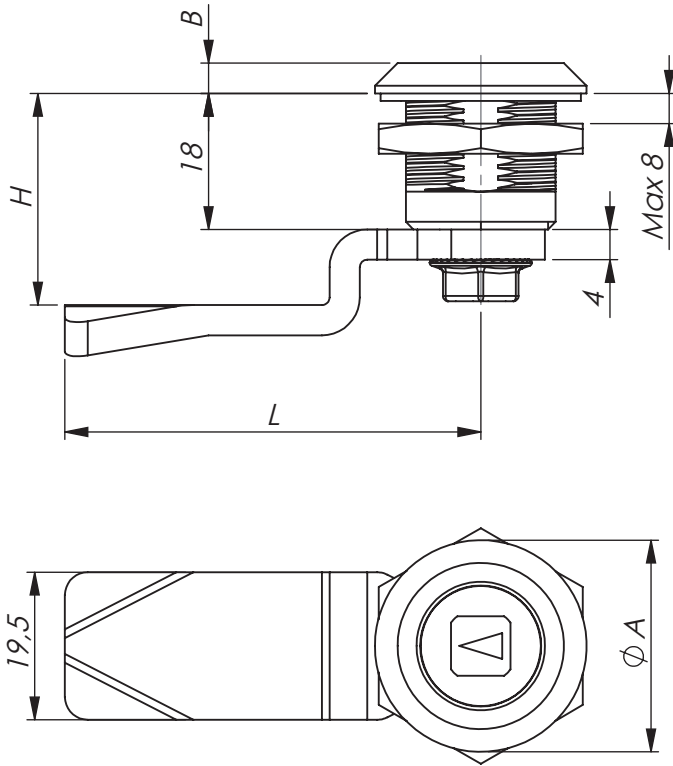
Protection degree IP65 is achieved by an O-ring on the insert and a flat gasket on the housing
Stainless version: Page 6-110a.
Note: On request, we can also supply the housing with an integrated foamed PUR-gasket to simplify assembly on your application.

MATERIAL:
Housing: Zinc die-cast, chrome plated, black texture powder coated, zinc plated with black PA6 collar or glass fibre reinforced polyamide PA6, black.
Standard and Earthing nut: Zinc die-cast, zinc plated.
Insert: Zinc die-cast, chrome plated or black texture powder coated.
Cam and screw: Steel, zinc plated.
Washer: Stainless steel (304).

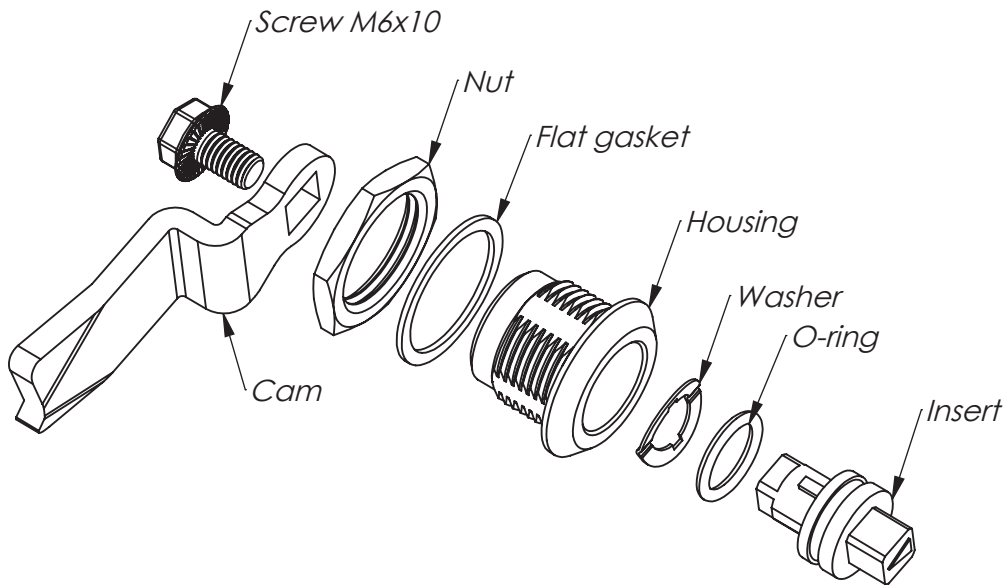
Housings: Page 2-021.
Inserts: Page 2-022.
Knobs and handles: Page 2-360.
Cams: Page 2-481, 2-491, 2-510 and 2-520.
Keys: Page 2-370 and 2-372.

CREATE P/N FOR COMPLETE VIBRATION RESISTANT QUARTER-TURN LATCH - 18 mm (AAAA-BCCDEF-GGGG)													
AAAA-	Housing	B	Nut	CC	Insert	D	Surface	E	Assembly	F	Cam	-GGGG	H/L in mm
2412-	Zinc - chrome plated A=28, B=4	0	SN	01	Square 6	2	Chrome	0	IP54 - not assembled	0	Steel	-0000	00/45
2415-	PA6 - black A=28, B=4	1	EN	03	Square 7	6	Black	1	IP65 - not assembled			-0445	04/45
2416-	Zinc - black A=28, B=4			05	Square 8			2	IP54 - enclosed cam			-0645	06/45
2422-	Zinc - chrome plated A=32, B=6			07	Square 8 - slotted			3	IP65 - enclosed cam			-0845	08/45
2425-	PA6 - black A=32, B=6			08	Square 8 / M6			4	IP54 - assembled			-1045	10/45
2426-	Zinc - black A=32, B=6			11	Square 8 - recessed			5	IP65 - assembled			-1245	12/45
2442-	Zinc - plastic collar A=28, B=4			14	Triangle 7							-1445	14/45
				15	Triangle 8							-1645	16/45
				16	Triangle 10							-1845	18/45
				17	Triangle 10 / M5							-2045	20/45
				18	Triangle 10 / M6							-2245	22/45
				19	Triangle 10 / SEN							-2445	24/45
				21	Triangle 10 - radius (ES3)							-2645	26/45
				22	Double Bit 3							-2845	28/45
				24	Double Bit 5							-3045	30/45
				26	Slotted							-3245	32/45
				28	Slotted with arrow							-3445	34/45
				29	Slotted recessed							-3645	36/45
				31	Hexagon 8,5							-3845	38/45
				32	Hexagon 11							-4045	40/45
				34	Recessed hexagon 8							-4245	42/45
				35	Recessed hexagon 10							-4445	44/45
				36	Recessed hex 8 / 3 mm pin							-4645	46/45
				37	Solid (plug)							-4845	48/45
				39	Triangle 10 - radius							-5045	50/45

Specifications subject to change without notice



- IP65** Protection degree
-  Universal LH / RH



COMPLETE VIBRATION-RESISTANT QUARTER-TURN LATCH - 18 mm



A complete latch consists of housing, nut, insert, washer, screw and cam. To achieve protection degree IP65, an O-ring is placed on the insert and a flat gasket on the housing. Can be supplied un-assembled, pre-assembled with enclosed cam or completely assembled.

Note: On request, we can also supply the housing with an integrated foamed PUR-gasket to simplify assembly on your application.

Specifications subject to change without notice