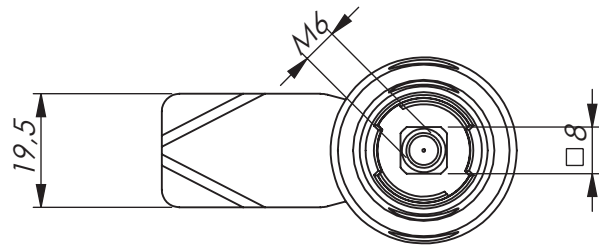
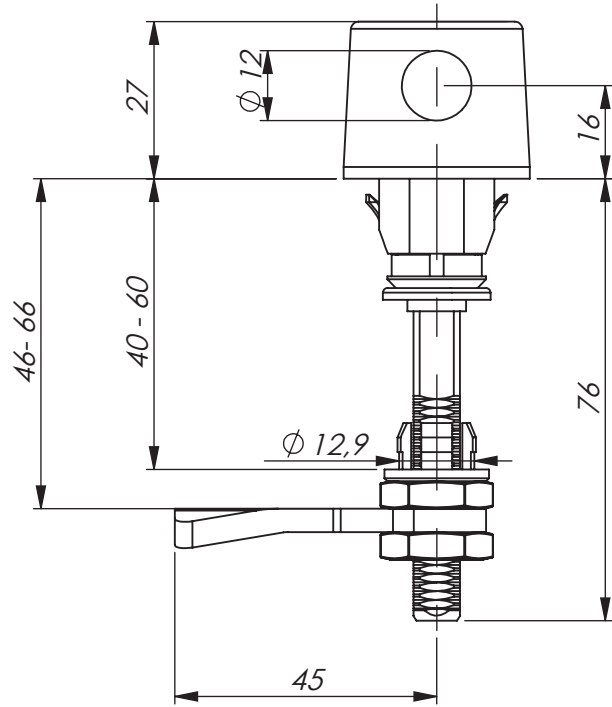


Padlock loop



Universal LH / RH



Specifications subject to change without notice

COMPLETE PADLOCKABLE QUARTER-TURN LATCH FOR INSULATED DOORS 40 - 60 mm



Complete padlockable quarter-turn latch for quick assembly by push-and-click action, suitable for plate thickness 0,8-1,2 mm. Easily adjusted cam along the threaded shaft. Supplied with straight cam and insert square 8 / M6. Adapter for key grip hexagon 1/2" (see table). When a padlock is placed in the loop, the insert is blocked from access.

| COMPLETE PADLOCKABLE QUARTER-TURN LATCH FOR INSULATED DOORS 40 - 60 mm | | | |
|--|---------------------------------|----------|----------------------|
| P/N | Description | P/N | Description |
| 241171 | Latch with insert Square 8 / M6 | 241171-2 | Adapter Hexagon 1/2" |

Keys: Page 2-370.

MATERIAL:

Housing and insert: Zinc die-cast, zinc plated.
Shaft, cam, starlock washer and nuts: Steel, zinc plated.
Inside bushing: Glass fibre reinforced polyamide (PA6), black.