

## COMPLETE VIBRATION RESISTANT QUARTER-TURN LATCH - 12 mm



Example: Housing - chrome plated A=28 B=4, zinc nut, insert square 8 - chrome plated, IP65-assembled, cam - zinc plated H=22 mm L= 45 mm= P/N 2402-005250-2245.

To achieve protection degree IP65, an O-ring is placed on the insert and a flat gasket on the housing. Can be supplied un-assembled, pre-assembled with enclosed cam or completely assembled.

Note: On request, we can also supply the housing with an integrated, foamed PUR-gasket to simplify assembly on your application.

Nuts:

SN = Standard nut.

EN = Earthing nut.

Housings: Page 2-041.

Inserts: Page 2-042.

Knobs and handles: Page 2-360.

Cams: Page 2-481, 2-491, 2-510 and 2-520.

Keys: Page 2-370 and 2-372.

### MATERIAL:

Housing: Zinc die-cast, chrome plated, black texture powder coated or zinc plated with black PA6 collar.

Standard and Earthing nut: Zinc die-cast, zinc plated.

Insert: Zinc die-cast, chrome plated or black texture powder coated.

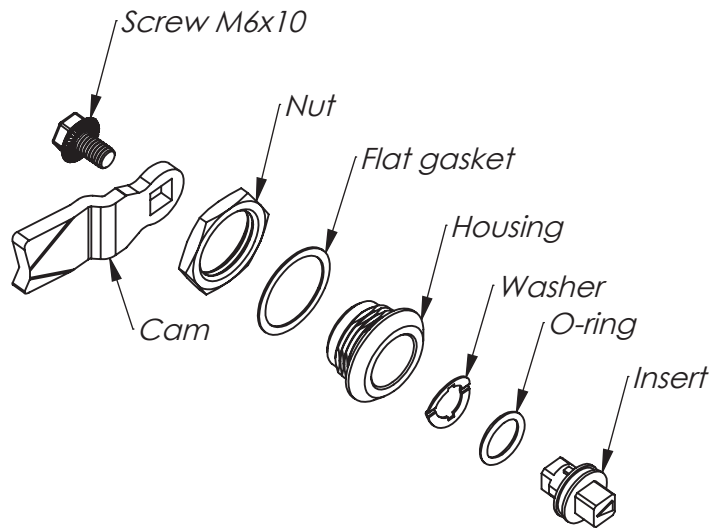
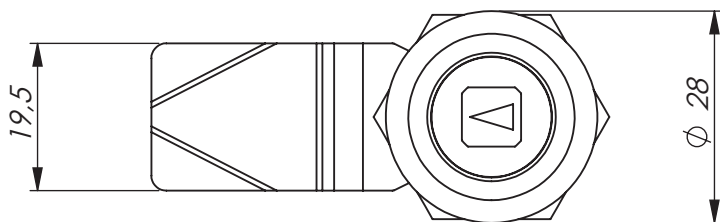
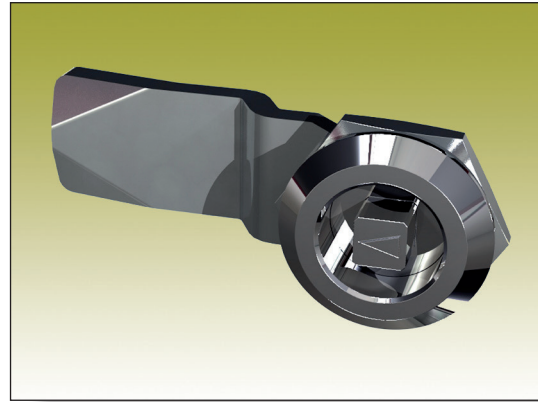
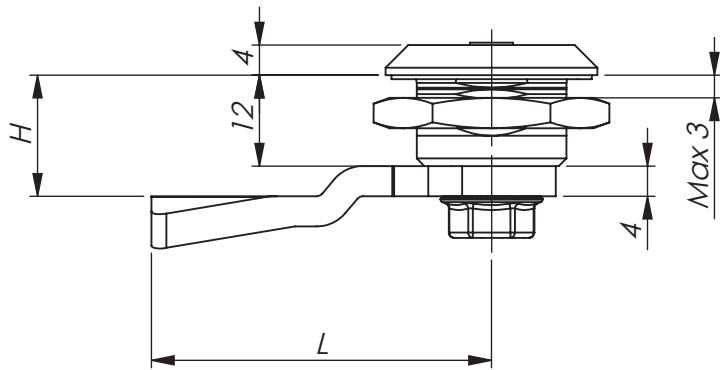
Cam and screw: Steel, zinc plated.

Washer: Stainless steel (304).

### CREATE P/N FOR COMPLETE VIBRATION RESISTANT QUARTER-TURN LATCH - 12 mm (AAAA-BCCDEF-GGGG)

AAAA-	Housing	B	Nut	CC	Insert	D	Sur-face	E	Assembly	F	Cam	-GGGG	H in mm
2402-	Zinc, chrome plated	0	SN	01	Square 6	2	Ch-rome	0	IP54 - not as-sembled	0	Steel	-0000	--
2406-	Zinc - black	1	EN	03	Square 7	6	Black	1	IP65 - not as-sembled			-0245	2
2430-	Zinc with plastic collar			05	Square 8			2	IP54 - enclosed cam			-0445	4
				07	Square 8, slotted			3	IP65 - enclosed cam			-0645	6
				08	Square 8 / M6			4	IP54 - assembled			-0845	8
				11	Recessed square 8			5	IP65 - assembled			-1045	10
				14	Triangle 7							-1245	12
				15	Triangle 8							-1445	14
				16	Triangle 10							-1645	16
				17	Triangle 10 / M5							-1845	18
				18	Triangle 10 / M6							-2045	20
				19	Triangle 10 / SEN							-2245	22
				21	Triangle 10 radius (ES3)							-2445	24
				22	Double Bit 3							-2645	26
				24	Double Bit 5							-2845	28
				26	Slotted							-3245	30
				28	Slotted - recessed							-3245	32
				29	3 mm slotted recessed							-3445	34
				31	Hexagon 8,5							-3645	36
				32	Hexagon 11							-3845	38
				34	Recessed hexa-gon 8							-4045	40
				35	Recessed hexagon 10							-4245	42
				36	Recessed hex 8 / 3 mm pin							-4445	44
				37	Solid (plug)								
				39	Triangle 10 - radius								

Specifications subject to change without notice



## COMPLETE VIBRATION RESISTANT QUARTER-TURN LATCH - 12 mm



A complete latch consists of housing, nut, insert, washer, screw and cam. To achieve protection degree IP65, an O-ring is placed on the insert and a flat gasket on the housing. Can be supplied un-assembled, pre-assembled with enclosed cam or completely assembled.

Note: On request, we can also supply the housing with an integrated foamed PUR-gasket to simplify assembly on your application.

Specifications subject to change without notice