

COMPLETE QUARTER-TURN LATCH - 30, 40, 50 AND 60 mm



Example: Housing - chrome plated A=28 B=4, zinc nut, insert square 8 - chrome plated, IP65-assembled, cam - zinc plated H=22 mm L=45 mm = P/N 2362-005250-2245.

Protection degree IP65 is achieved by an O-ring on the insert and a gasket on the housing.

Nuts:

SN = Standard nut.

EN = Earthing nut.

Housings: Page 2-051.

Inserts: Page 2-052.

Knobs and handles: Page 2-360.

* Cams: Page 2-480, 2-490, 2-510 and 2-520.

Keys: Page 2-370 and 2-372.

MATERIAL:

Housing: Zinc die-cast, chrome plated or black texture powder coated.

Standard and Earthing nut and adapter: Zinc die-cast, zinc plated.

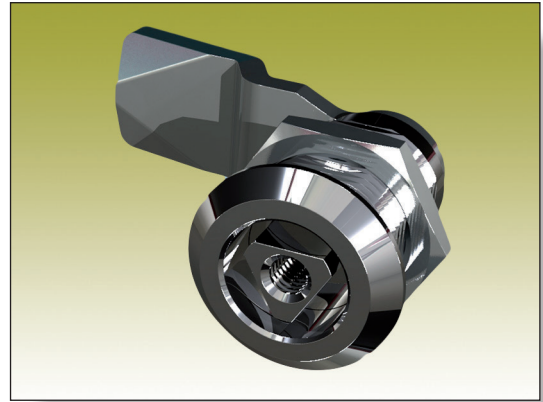
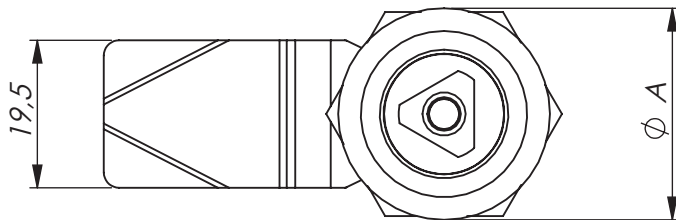
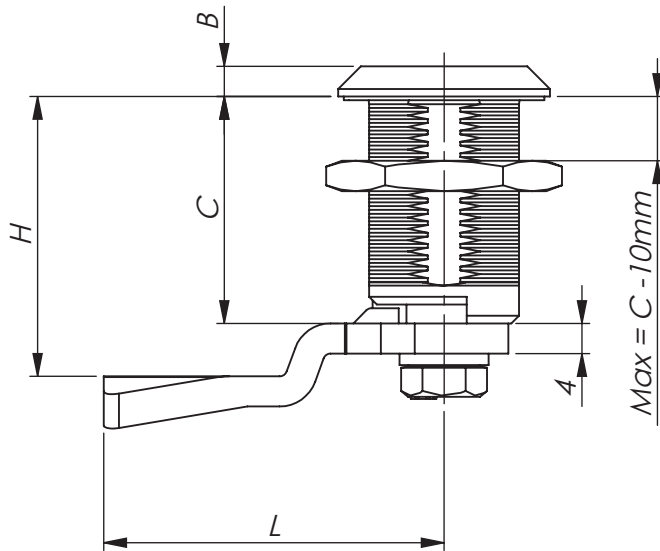
Insert: Zinc-die cast, chrome plated or black texture powder coated.

Cam, screw and washer: Steel, zinc plated.

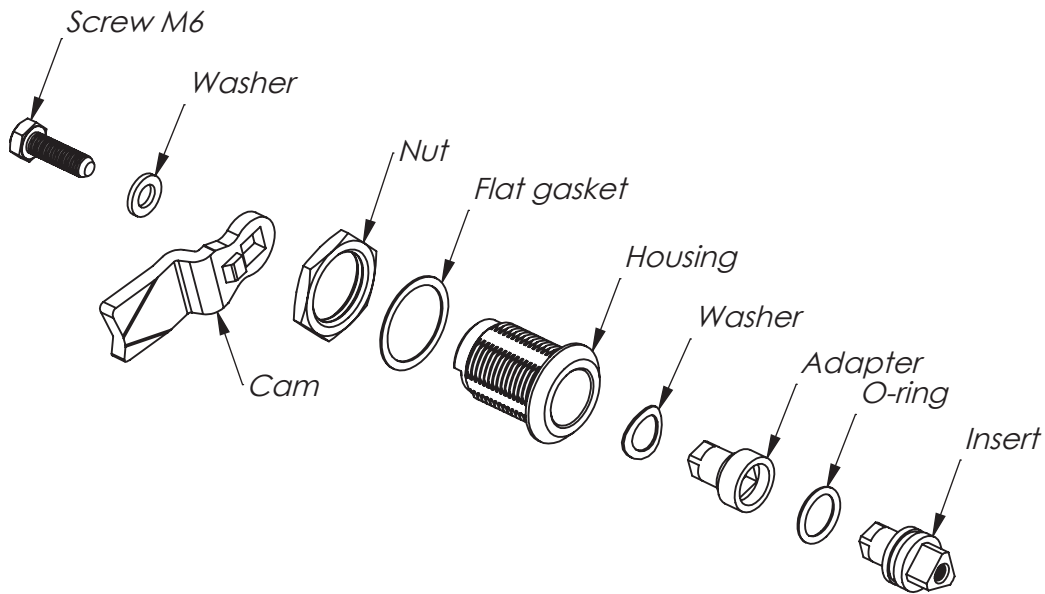
CREATE P/N FOR COMPLETE QUARTER-TURN LATCH - 30, 40, 50 AND 60 mm (AAAA-BCDEF-GGGG)

AAAA-	Housing	B	Nut	CC	Insert	D	Surface	E	Assembly	F	Cam	-GGGG	H in mm
	30 mm housing	0	SN	01	Square 6	2	Ch-rome	0	IP54 - not assembled	0	Steel	-0000	No cam
2362-	Zinc - chrome plated A=28 B=4 C=30	1	EN	03	Square 7	6	Black	1	IP65 - not assembled			-HLL*	See page ref. above
2366-	Zinc - black coated A=28 B=4 C=30			05	Square 8			2	IP54 - enclosed cam				
2372-	Zinc, black coated A=32 B=6 C=30			07	Square 8 - slotted			3	IP65 - enclosed cam				
2376-	Zinc, black coated A=32 B=6 C=30			08	Square 8 / M6			4	IP54 - assembled				
				11	Recessed square 8			5	IP65 - assembled				
	40 mm housing			14	Triangle 7								
2332-	Zinc, chrome plated A=32 B=6 C=40			15	Triangle 8								
2336-	Zinc, black coated A=32 B=6 C=40			16	Triangle 10								
				17	Triangle 10 / M5								
	50 mm housing			18	Triangle 10 / M6								
2382-	Zinc, chrome plated A=32 B=6 C=50			19	Triangle 10 / SEN								
2386-	Zinc, black coated A=32 B=6 C=50			21	Triangle 10 - radius (ES3)								
				22	Double Bit 3								
	60 mm housing			24	Double Bit 5								
2392-	Zinc, chrome plated A=32 B=6 C=60			26	Slotted								
2396-	Zinc, black coated A=32 B=6 C=60			28	Slotted recessed								
				29	3 mm slotted recessed								
				31	Hexagon 8,5								
				32	Hexagon 11								
				34	Recessed hexagon 8								
				35	Recessed hexagon 10								
				36	Recessed hex 8 / 3 mm pin								
				37	Solid (plug)								
				39	Triangle 10 - radius								

Specifications subject to change without notice



-  IP65 Protection degree
-  Universal LH / RH



COMPLETE QUARTER-TURN LATCH



A complete latch consists of housing, nut, insert, washer, screw and cam. Protection degree IP65 is achieved by an O-ring on the insert and a flat gasket on the housing. The latch can be supplied un-assembled, pre-assembled with enclosed cam or completely assembled.

Specifications subject to change without notice