

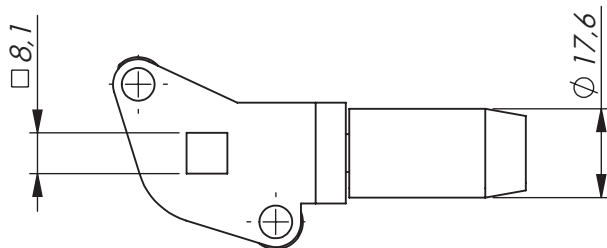
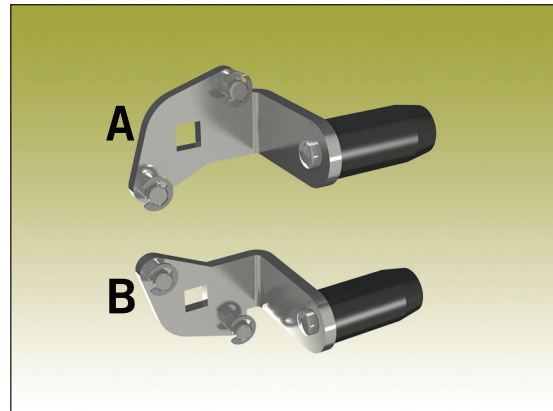
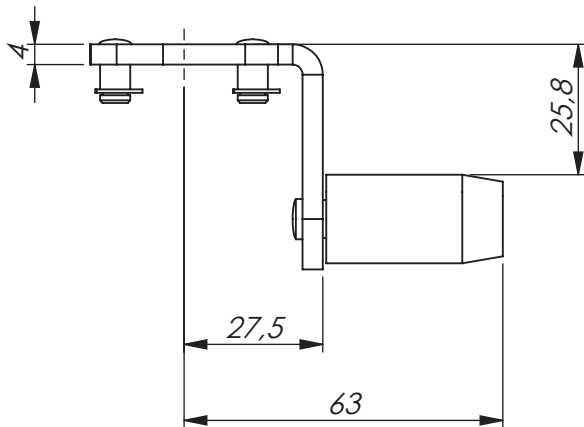
CAM WITH INSIDE HANDLE

Cam without projection, with integrated inside handle. For use together with non-locking products and housings with internal limitation of rotation.

MATERIAL:

Steel, zinc plated, or stainless steel (304).

CAM WITH INSIDE HANDLE			
P/N	Description	P/N	Description
26210009	Steel	26300009	SS (304)



THREE-POINT ROLLER CAM FOR CONNECTING SEVERAL LATCHING POINTS IN PARALLEL

Roller cam for three-point latching systems with rods. Can remotely operate additional roller cams from a single handle or quarter-turn latch. Supplied with E-clips.

Version "A" without projection is shown in the drawing above.

Rods: Page 2-540, 2-541 and 2-545.

MATERIAL:

Cam: Steel, passivated.
Shaft and E-clip: Steel, zinc plated.
Roller: Glass fibre reinforced polyamide (PA6), black.

THREE-POINT ROLLER CAM					
P/N	Description	Image	P/N	Description	Image
2327S24-R	With projection	A	2327S24-UR	Without projection	A
2327525-R	With projection	B	2327525-UR	Without projection	B