



**COMPLETE QUARTER-TURN LATCH - POLYAMIDE - 18 mm**

Example: Housing - polyamide PA6 A=32 B=6, zinc nut, insert square 7 - polyamide PA6, IP65-assembled, cam - zinc plated H=22 mm L=45 mm = P/N 24325-003550-2245.

Protection degree IP65 is achieved by an O-ring on the insert and a flat gasket on the housing

Nuts:  
SN = Standard nut.

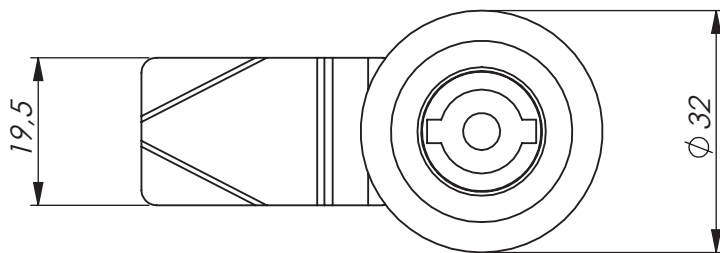
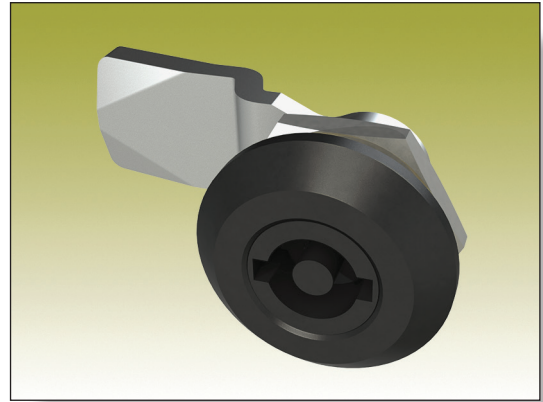
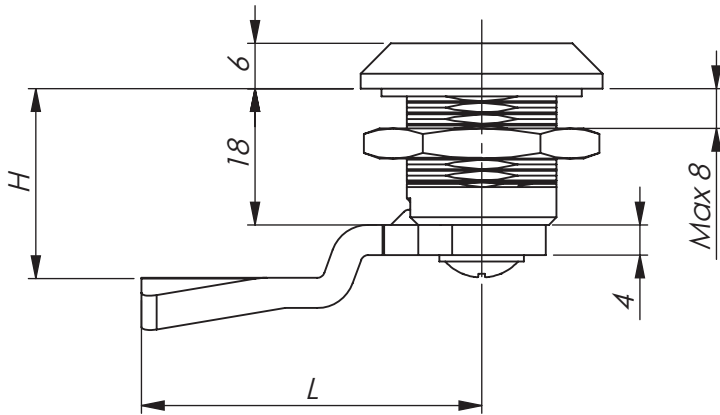
Housings: Page 2-026.  
Inserts: Page 2-027.  
Cams: Page 2-480, 2-490, 2-510 and 2-520.  
Keys: Page 2-370 and 2-372.

**MATERIAL:**  
Housing: Glass fibre reinforced polyamide PA6, black.  
Nut: Zinc die-cast, zinc plated.  
Insert: Glass fibre reinforced polyamide PA6, black.  
Cam: Steel, zinc plated.

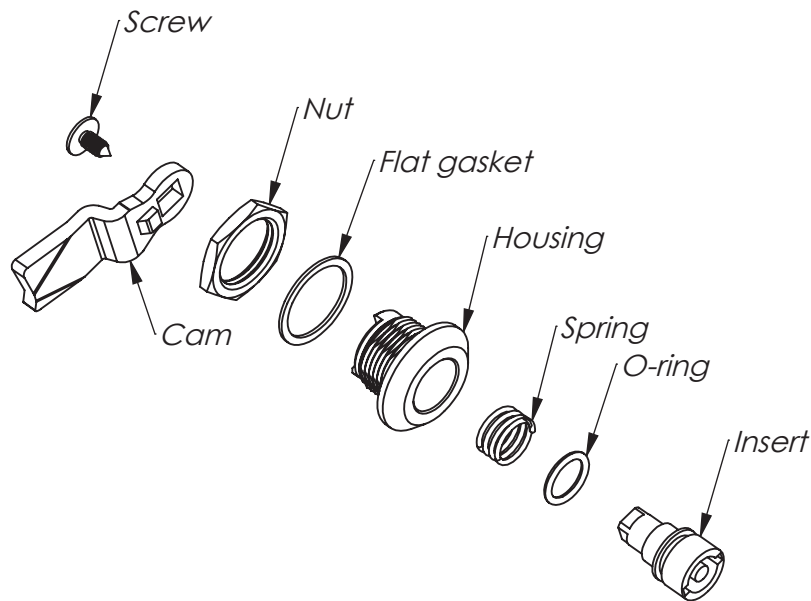
**CREATE P/N FOR COMPLETE QUARTER-TURN LATCH - POLYAMIDE - 18 mm  
(AAAA-BCCDEF-GGGG)**

AAAA-	Housing	B	Nut	CC	Insert	D	Material	E	Assembly	F	Cam	-GGGG	H/L in mm
2325-	PA6, black	0	SN	03	Square 7	5	PA6	0	IP54 - not assembled	0	Steel	-0000	00/45
				05	Square 8			1	IP65 - not assembled			-0445	04/45
				15	Triangle 8			2	IP54 enclosed cam			-0645	06/45
				22	Double Bit 3			3	IP65 enclosed cam			-0845	08/45
				24	Double Bit 5			4	IP54 - assembled			-1045	10/45
				26	Slotted			5	IP65 - assembled			-1245	12/45
												-1445	14/45
												-1645	16/45
												-1845	18/45
												-2045	20/45
												-2245	22/45
												-2445	24/45
												-2645	26/45
												-2845	28/45
												-3045	30/45
												-3245	32/45
												-3445	34/45
												-3645	36/45
												-3845	38/45
												-4045	40/45
												-4245	42/45
												-4445	44/45
												-4645	46/45
												-4845	48/45
												-5045	50/45

Specifications subject to change without notice



-  IP65 Protection degree
-  Universal LH / RH



**COMPLETE QUARTER-TURN LATCH - POLYAMIDE - 18 mm**

A complete latch consists of housing, nut, insert, washer, screw and cam. To achieve protection degree IP65, an O-ring and flat gasket are applied. Can be supplied un-assembled, pre-assembled with enclosed cam or completely assembled.

Specifications subject to change without notice