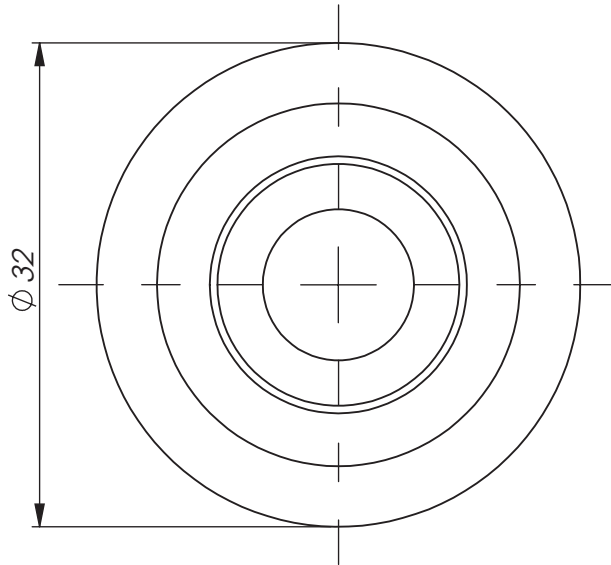


Universal LH / RH



Specifications subject to change without notice



POLYAMIDE HOUSING FOR QUARTER-TURN LATCH - 18 mm

Polyamide housing with external limitation of the rotation.
Universal clockwise or counter-clockwise rotation when
opening / closing. Supplied with nut.

MATERIAL:

Housing: Glass fibre reinforced polyamide (PA6), black.
Nut: Zinc die-cast, zinc plated.

Inserts: Page 2-027.
Cams: Page 2-480 and 2-490.

SN = Standard nut.

POLYAMIDE HOUSING FOR QUARTER-TURN LATCH - 18 mm			
P/N	Description	Material	Nut
215033	Housing	PA6	SN