



**PADLOCKABLE QUARTER-TURN LATCH - 18 mm**



Quarter-turn latch with integrated padlock facility. When a padlock is placed in the loop, the insert is blocked from access.

SN= Standard nut.  
EN= Earthing nut.

**MATERIAL:**

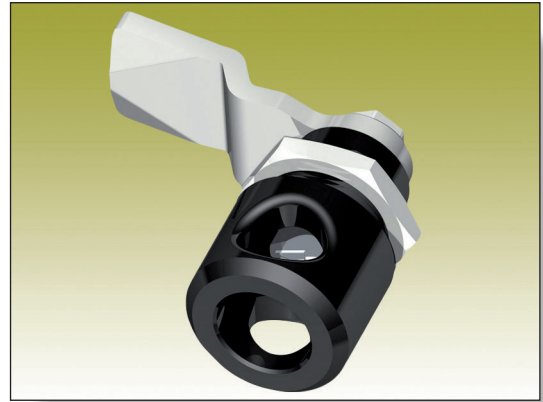
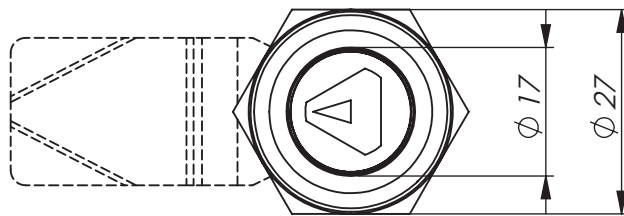
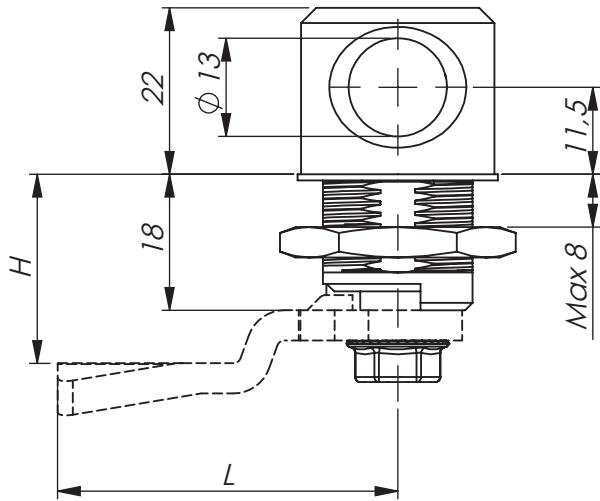
Housing: Zinc die-cast, chrome plated or black texture powder coated.  
Standard and Earthing nut: Zinc die-cast, zinc plated.  
Insert: Zinc die-cast, chrome plated or black texture powder coated.  
Cam and screw: Steel, zinc plated.  
Washer: Stainless steel (304).

Keys: Page 2-370.  
Cams: Page 2-480 and 2-490.


**CREATE P/N FOR COMPLETE PADLOCKABLE QUARTER-TURN LATCH - 18 mm (AAAA-BCCDEF-GGGG)**

AAAA-	Housing	B	Nut	CC	Insert	D	Surface	E	Assembly	F	Cam	-GGGG	H/L in mm
2222-	Zinc - chrome plated.	0	SN	01	Square 6	2	Chrome	0	IP54 - not assembled	0	Steel	-0000	No cam
2226-	Zinc - black powder coated	1	EN	03	Square 7	6	Black	1	IP65 - not assembled			-0445	4/45
				05	Square 8			2	IP54 - enclosed cam			-0645	6/45
				07	Square 8 - slotted			3	IP65 - enclosed cam			-0845	8/45
				08	Square 8 / M6			4	IP54 - assembled			-1045	10/45
				11	Square 8 - recessed			5	IP65 - assembled			-1245	12/45
				14	Triangle 7							-1445	14/45
				15	Triangle 8							-1645	16/45
				16	Triangle 10							-1845	18/45
				17	Triangle 10 / M5							-2045	20/45
				18	Triangle 10 / M6							-2245	22/45
				19	Triangle 10 / SEN							-2445	24/45
				21	Triangle 10 - radius (ES3)							-2645	26/45
				22	Double Bit 3							-2845	28/45
				24	Double Bit 5							-3045	30/45
				26	Slotted							-3245	32/45
				28	Slotted with arrow							-3445	34/45
				29	Slotted recessed							-3645	36/45
				31	Hexagon 8,5							-3845	38/45
				32	Hexagon 11							-4045	40/45
				34	Recessed hexagon 8							-4245	42/45
				35	Recessed hexagon 10							-4445	44/45
				36	Recessed hex 8 / 3 mm pin							-4645	46/45
				37	Solid (plug)							-4845	48/45
				39	Triangle 10 - radius							-5045	50/45

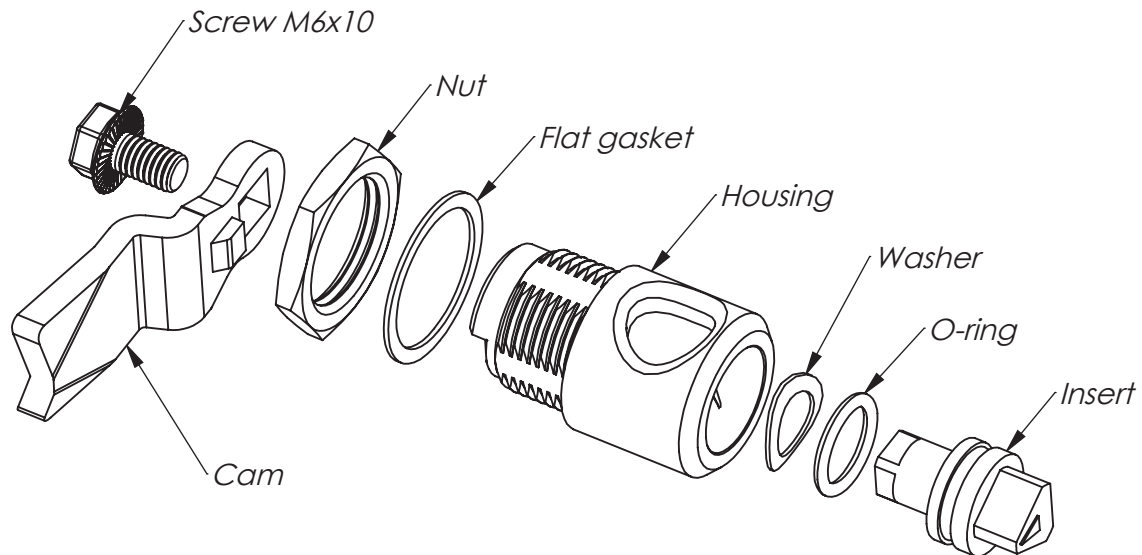
Specifications subject to change without notice



**IP65** Protection degree

 Padlock loop

 Universal LH / RH



**PADLOCKABLE QUARTER-TURN LATCH - 18 mm**



A complete latch consists of housing, nut, insert, washer, screw and cam. To achieve protection degree IP65, an O-ring is placed on the insert and a flat gasket on the housing. Can be supplied un-assembled, pre-assembled with enclosed cam or completely assembled.

Specifications subject to change without notice