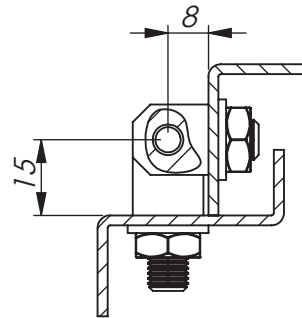


180° Opening angle



Universal LH / RH



Specifications subject to change without notice

STAINLESS / ACID-PROOF EXTERNAL BOLT-ON HINGE - 180° OPENING ANGLE

Stainless external bolt-on hinge for surface mounted doors. Universal left and right mounting. Opening angle 180°. Supplied unassembled, with nuts and washers.

Steel version: Page 3-530.

MATERIAL:

Stainless steel (303) or acid-proof stainless steel (316).

STAINLESS / ACID-PROOF EXTERNAL BOLT-ON HINGE - 180° OPENING ANGLE	
P/N SS (303)	P/N SS (316)
323016	329016