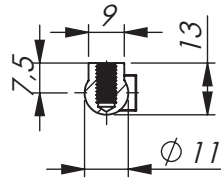


180° Opening angle

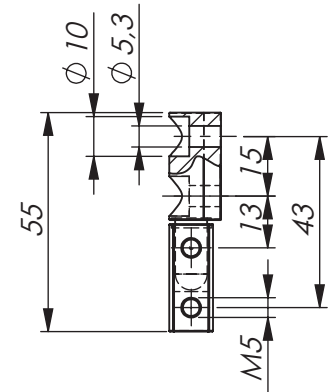
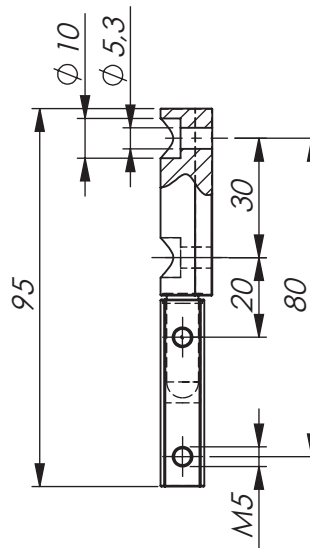
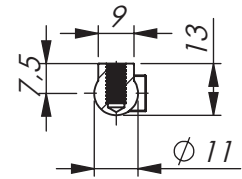


Universal LH / RH

A



B



## STAINLESS EXTERNAL PROFILE HINGE - 180° OPENING ANGLE

Stainless external profile hinge for surface mounted doors.  
Universal left and right mounting. Opening angle 180°. Screw mounted. Supplied with screws, screw covers and washers.

Steel version: Page 3-570.

**MATERIAL:**

Stainless steel (303).

### STAINLESS EXTERNAL PROFILE HINGE - 180° OPENING ANGLE

P/N	Height mm	Mounting	Drawing
322123-RF	95	Screw	A
322124-RF	55	Screw	B

Specifications subject to change without notice