

VISION™



For cam



For oval cylinder



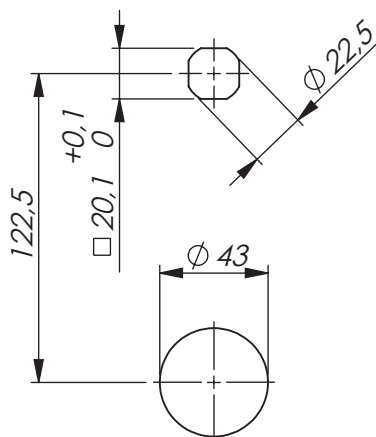
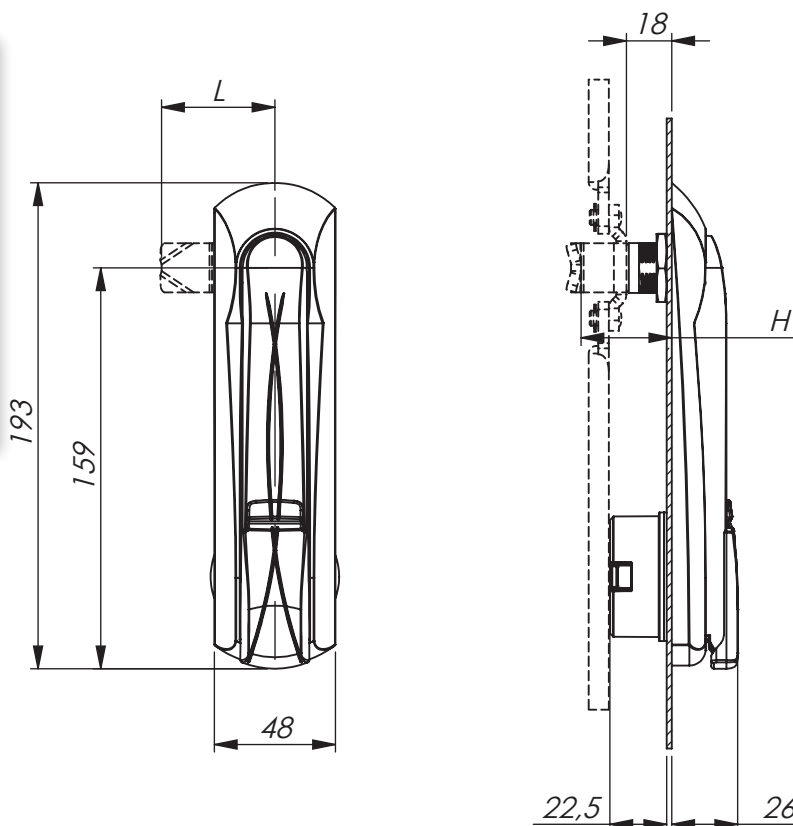
IP65 Protection degree



90° Handle rotation



Universal LH / RH



Specifications subject to change without notice

SWING HANDLE FOR SCANDINAVIAN OVAL CYLINDER

Swing handle for Scandinavian oval cylinder and cam. Cylinder to be ordered separately.

MATERIAL:

Handle and dish: Glass fibre reinforced polyamide (PA6), black.
Nut and shaft: Brass, zinc plated.
Screws, bolt, washer: Steel, zinc plated.

Cams: Page 1-008.50.
Rods: Page 1-008.52 and 1-008.53.
Rod guides: Page 1-008.54.

SWING HANDLE FOR SCANDINAVIAN OVAL CYLINDER			
P/N	Description	P/N	Description
275001	Swing handle for 6- and 7-pin cylinder	275002	Swing handle for 5-pin cylinder
248801-3	6-pin cylinder - keyed alike	248801-4	6-pin cylinder - keyed to differ