



## COMPLETE STAINLESS QUARTER-TURN COMPACT LATCH - 13,5 mm

Example: Housing - stainless, A=20 B=3, nut - stainless, insert Square 6 - stainless, IP65-assembly and cam - stainless for H=16,5 L= 27 mm = P/N: 2383-301353-1627.

Keys: Page 2-370 and 2-372.

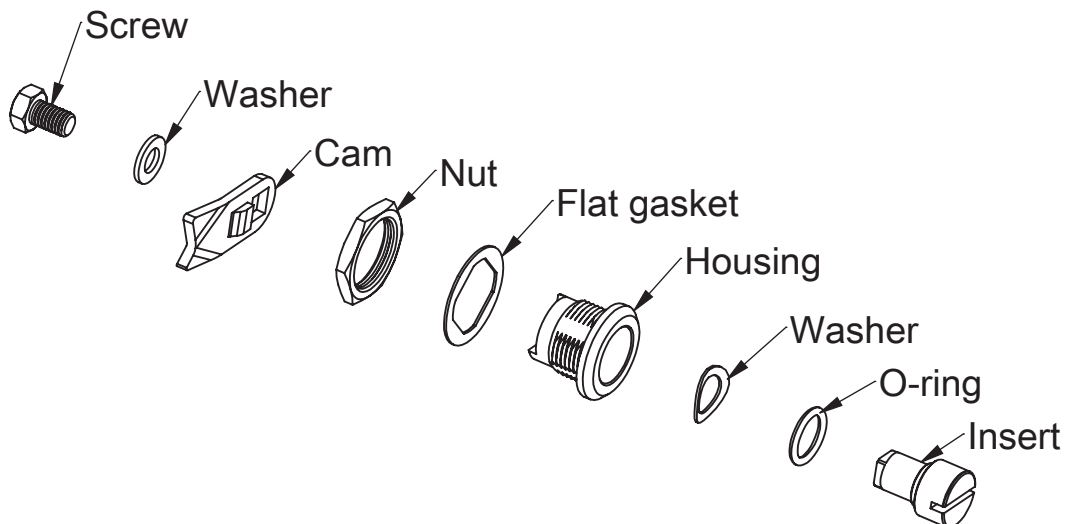
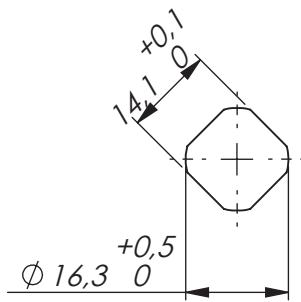
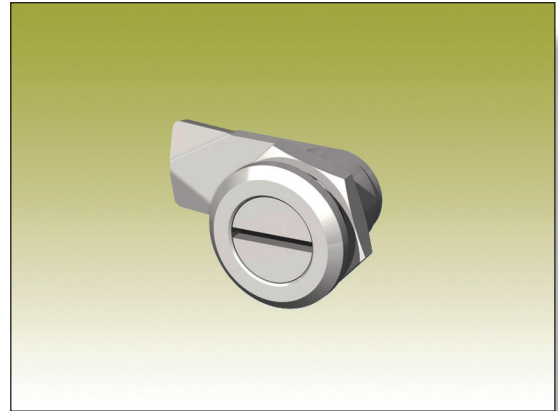
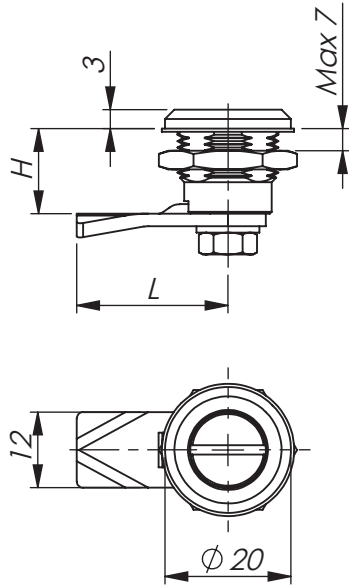
**MATERIAL:**

Housing, insert and nut: Stainless steel (303).  
Cam: Stainless steel (304).

IP65 is achieved by an O-ring on the insert and a flat gasket on the housing.

CREATE P/N FOR COMPLETE STAINLESS QUARTER-TURN COMPACT LATCH - 13,5 mm (AAAA-BCCDEF-GGGG)													
AAAA-	Housing	B	Nut	CC	Insert	D	Material	E	Assembly	F	Cam	-GGGG	H/L in mm
2383-	SS (303)	3	SS (303)	01	Square 6	3	SS (303)	0	IP54 - not assembled	3	SS (304)	-0000	No cam
				02	Square 6 / M3			1	IP65 - not assembled			-0724	7,5/24
				13	Triangle 6,5			2	IP54 - cam enclosed			-0727	7,5/27
				26	Slotted			3	IP65 - cam enclosed			-0730	7,5/30
								4	IP54 - assembled			-0934	9/34
								5	IP65 - assembled			-1027	10,5/27
												-1324	13,5/24
												-1327	13,5/27
												-1627	16,5/27
												-1834	18/34
												-1924	19,5/24
												-1927	19,5/27
												-2824	28/24

Specifications subject to change without notice



## COMPLETE STAINLESS QUARTER-TURN COMPACT LATCH - 13,5 mm

A complete latch consists of housing, nut, insert, washer, screw and cam. To achieve protection degree IP65, an O-ring and a flat gasket is applied. Can be supplied un-assembled, pre-assembled with enclosed cam or completely assembled.

Specifications subject to change without notice