

## COMPLETE STAINLESS / ACID-PROOF QUARTER-TURN LATCH - 18 mm

Example: Housing - stainless (303) nut - stainless, insert square 8, stainless, IP65-assembled, cam - stainless H=22 mm L= 45 mm = P/N: 2313-305353-2245.

Protection degree IP65 is achieved by an O-ring on the insert and a pour-in-place foamed polyurethane gasket on the housing.

Housings: Page 6-111.

Inserts: Page 6-112.

Knobs and handles: Page 2-360.

Cams: Page 2-480, 2-490, 2-510 and 2-520.

Keys: Page 2-370 and 2-372.

### MATERIAL:

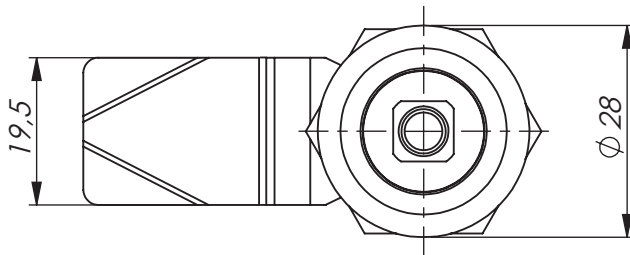
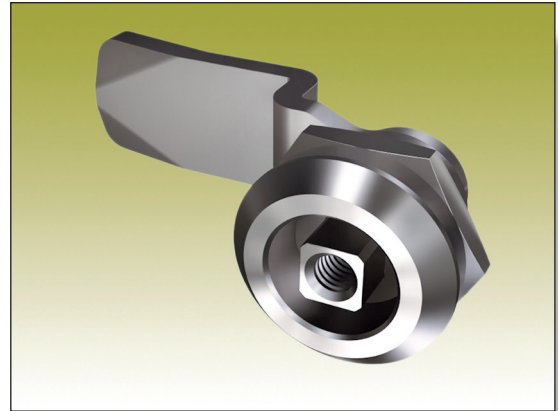
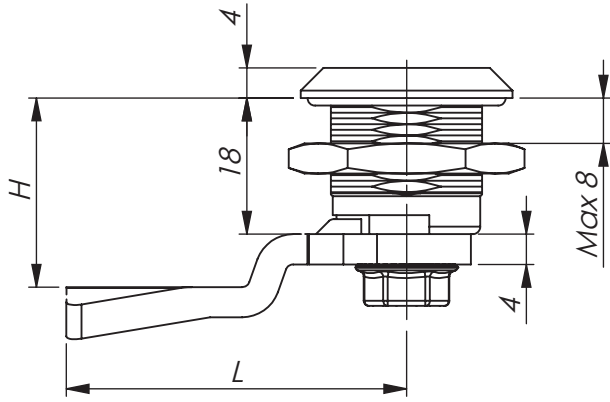
Housing, insert and nut: Stainless steel (303) or acid-proof stainless steel (316).

Cam: Stainless steel (304) or acid-proof stainless steel (316).

### CREATE P/N FOR COMPLETE STAINLESS / ACID-PROOF QUARTER-TURN LATCH - 18 mm (AAAA-BCCDEF-GGGG)

AAAA-	Housing	B	Nut	CC	Insert	D	Material	E	Assembly	F	Cam	-GGGG	H/L in mm
2313-	SS (303)	3	SS (303)	01	Square 6	3	SS (303)	0	IP54 - not assembled	3	SS (304)	-0000	No cam
2319-	SS (316)	9	SS (316)	03	Square 7	9	SS (316)	1	IP65 - not assembled	9	SS (316)	-0445	4/45
				05	Square 8			2	IP54 - cam enclosed			-0645	6/45
				07	Square 8, slotted			3	IP65 - cam enclosed			-0845	8/45
				08	Square 8 / M6			4	IP54 - assembled			-1045	10/45
				11	Square 8 - recessed			5	IP65 - assembled			-1245	12/45
				14	Triangle 7							-1445	14/45
				15	Triangle 8							-1645	16/45
				16	Triangle 10							-1845	18/45
				22	Double Bit 3							-2045	20/45
				24	Double Bit 5							-2245	22/45
				26	Slotted							-2445	24/45
				41	Slotted recessed							-2645	26/45
												-2845	28/45
												-3045	30/45
												-3245	32/45
												-3445	34/45
												-3645	36/45
												-3845	38/45
												-4045	40/45
												-4245	42/45
												-4445	44/45
												-4645	46/45
												-4845	48/45
												-5045	50/45

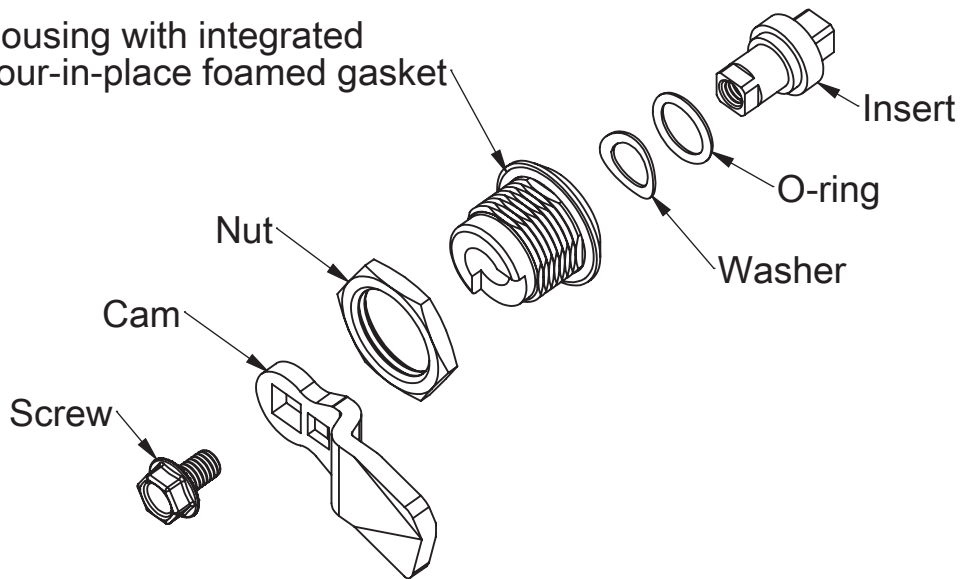
Specifications subject to change without notice



**IP65** Protection degree

 Universal LH / RH

Housing with integrated pour-in-place foamed gasket



**COMPLETE STAINLESS / ACID-PROOF  
QUARTER-TURN LATCH - 18 mm**



A complete latch consists of housing, nut, insert, washer, screw and cam. To achieve protection degree IP65, an O-ring and pour-in-place foamed polyurethane gasket is applied. The latch can be supplied un-assembled, pre-assembled with enclosed cam or completely assembled.

Specifications subject to change without notice