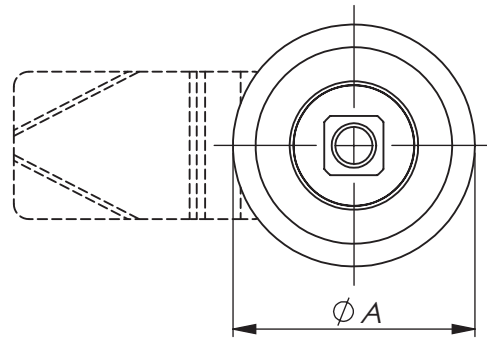
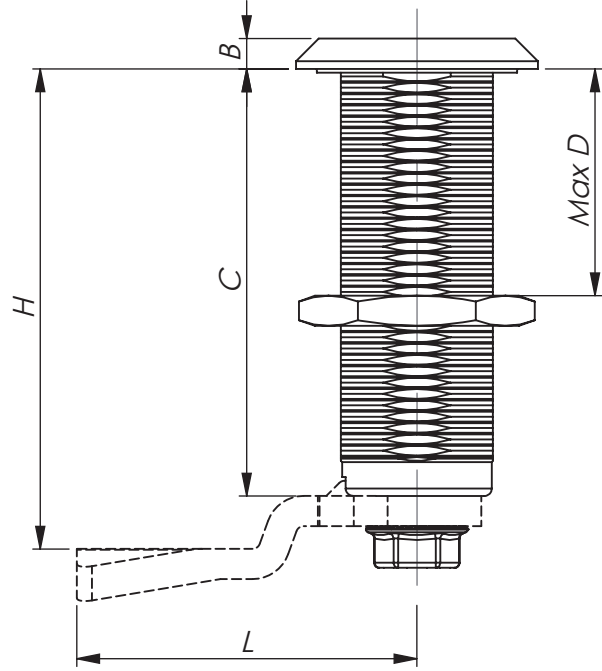


IP65 Protection degree

 Universal LH / RH



STAINLESS QUARTER-TURN LATCH FOR INSULATED DOORS - 30 - 56,5 mm



Quarter-turn latch with longer housing for insulated hatches and doors.
Supplied with stainless nut.

MATERIAL:
Stainless steel (303).

Zinc version: Page 2-060a.

Other inserts supplied on request.

Spacer nuts: Page 2-410.
Cams: 2-480, 2-490, 2-510 and 2-520.
Keys: Page 2-370 and 2-372.
Knobs and handles: Page 2-360.

| STAINLESS HOUSINGS | | | | |
|--------------------|----|---|------|----|
| P/N | A | B | C | D |
| 213020 | 28 | 3 | 30 | 21 |
| 213027 | 32 | 4 | 56,5 | 50 |

| STAINLESS INSERTS | | |
|-------------------|---------------|------|
| P/N | Description | C |
| 223009-30 | Square 8 | 30 |
| 223031 | Square 8 / M6 | 56,5 |

| ACCESSORIES | |
|-------------|-------------|
| P/N | Description |
| 297001 | O-ring |
| 297002 | Gasket |

Specifications subject to change without notice