



QUARTER-TURN LATCH FOR INSULATED DOORS 30 - 56 mm.



Quarter-turn latch with longer housing for insulated hatches and doors. Housing 45,5 mm can be mounted with a spring clip for door thickness 29, 32 or 39 mm. Housing 56,5 can be mounted with a spring clip for door thickness 40, 43 and 50 mm. Fork spring clip option to be ordered separately (P/N: 271105).

MATERIAL:

Insert and housing: Zinc die-cast, chrome plated or black texture powder coated.
Washer, spring clip and screw: Steel, zinc plated.
Standard and Earthing nut: Zinc die-cast, zinc plated.

SN= Standard nut.
EN= Earthing nut.

Other inserts on request.

Stainless version: Page 6-120.

Spacer nut: Page 2-410.

Keys: Page 2-370 and 2-372.

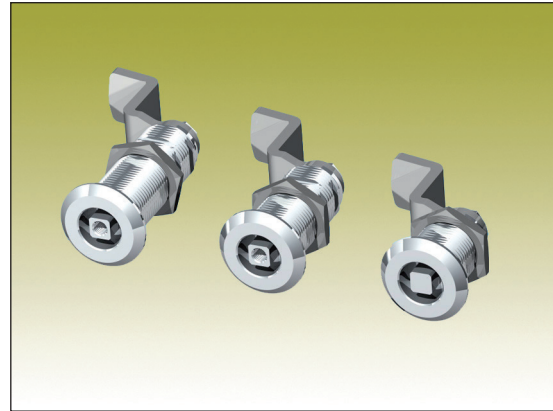
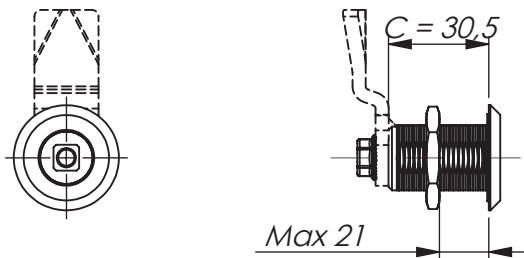
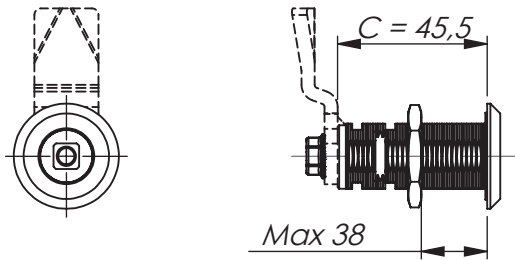
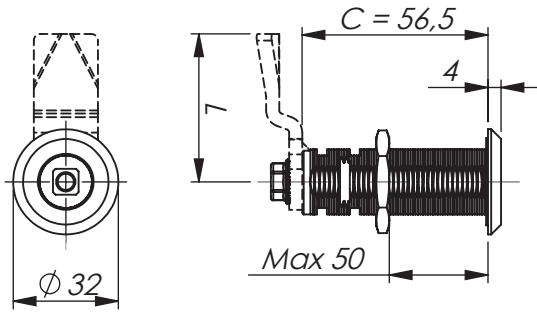
Knobs and handles: Page 2-360.

* Cams: Page 2-480, 2-490, 2-510 and 2-520.

CREATE P/N FOR COMPLETE QUARTER-TURN LATCH FOR INSULATED DOORS 30 - 56 mm (AAAA-BCCDEF-GGGG)

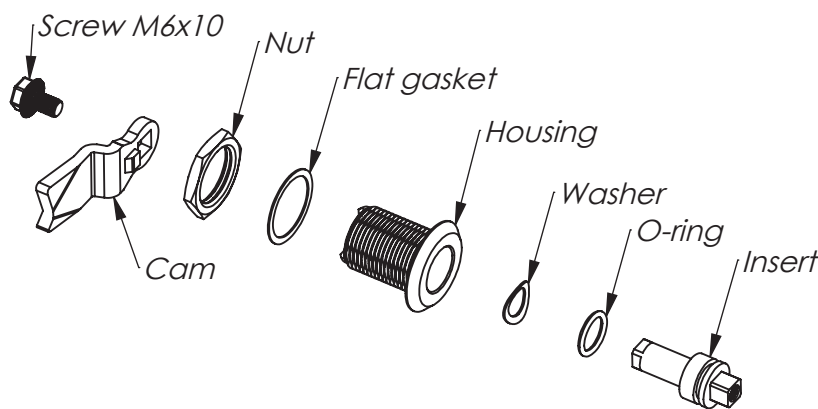
AAAA-	Housing	B	Nut	CC	Insert	D	Surface	E	Assembly	F	Cam	-GGGG	H in mm
2102-	Zinc - chrome plated. C=30,5 mm	0	SN	05	Square 8	2	Chrome	0	IP54 - not assembled	0	Steel	-0000	--
2106-	Zinc - black coated. C=30,5 mm	1	EN	08	Square 8 / M6	6	Black	1	IP65 - not assembled			-HHLL*	See page ref. above
2112-	Zinc - chrome plated. C=45,5 mm			15	Triangle 8			2	IP54 - enclosed cam				
2116-	Zinc - black coated. C=45,5 mm			22	Double Bit 3			3	IP65 - enclosed cam				
2122-	Zinc - chrome plated. C=56,5 mm			26	Slotted			4	IP54 - assembled				
2126-	Zinc - black coated. C=56,5 mm			28	Slotted with arrow			5	IP65 - assembled				

Specifications subject to change without notice



IP65 Protection degree

 Universal LH / RH



QUARTER-TURN LATCH FOR INSULATED DOORS 30 - 56 mm

A complete latch consists of housing, nut, insert, washer, screw and cam. To achieve protection degree IP65, an O-ring is placed on the insert and a flat gasket on the housing. Can be supplied un-assembled, pre-assembled with enclosed cam or completely assembled.

Specifications subject to change without notice