



VISION™



For cam



With cylinder



Padlock loop option



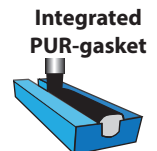
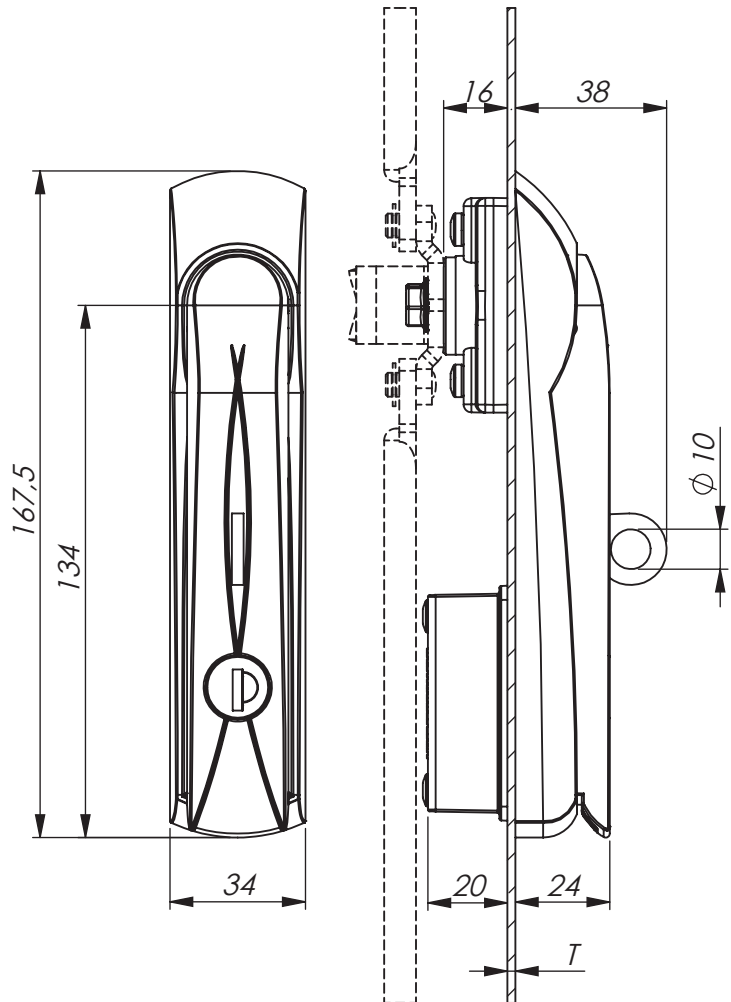
Protection degree



Handle rotation



Universal LH / RH



VISION™ SWING HANDLE WITH CYLINDER

Low profile swing handle with cylinder lock for cam. Supplied with two keys.

*Master key system on request.

Rod Latch System "Vision Classic": Page 1-008.51, 1-008.52 and 1-008.53.

Cut-out, version C: Page 1-001.01.

MATERIAL:

Handle and dish: Zinc die-cast, black texture powder coated or glass fibre reinforced polyamide (PA6), black.

Cylinder: Zinc die-cast, stainless steel (304) cap and dust shutter.

Shaft: Zinc die-cast, zinc plated.

Padlock loop: Stainless steel (304).

MODEL: (see table below)

Push-to-latch = Spring loaded cam latches when the handle is pushed in.

T = For door thickness: 0,8-3,5 mm.

PDL = Spring loaded padlock loop retracts when handle is released.

VISION™ SWING HANDLE WITH CYLINDER (AAAAABCD-EEEE)

AAAAAA	Material	B	Opening rotation	C	T=	D	PDL	-EEEE	Cylinder
121611	Handle zinc / Dish PA6	1	90° clockwise or counter-clockwise	1	0,8-1,5	0	No	-C21S	Keyed alike IL101
121641	Handle zinc / Dish zinc	2	90° counter-clockwise	2	1,6-2,5	1	Yes	-C22S	Keyed to differ *
125011	Handle PA6 / Dish PA6	3	90° clockwise	3	2,6-3,5			-C23S	Keyed alike IL0333
								-500S	No cylinder

Specifications subject to change without notice