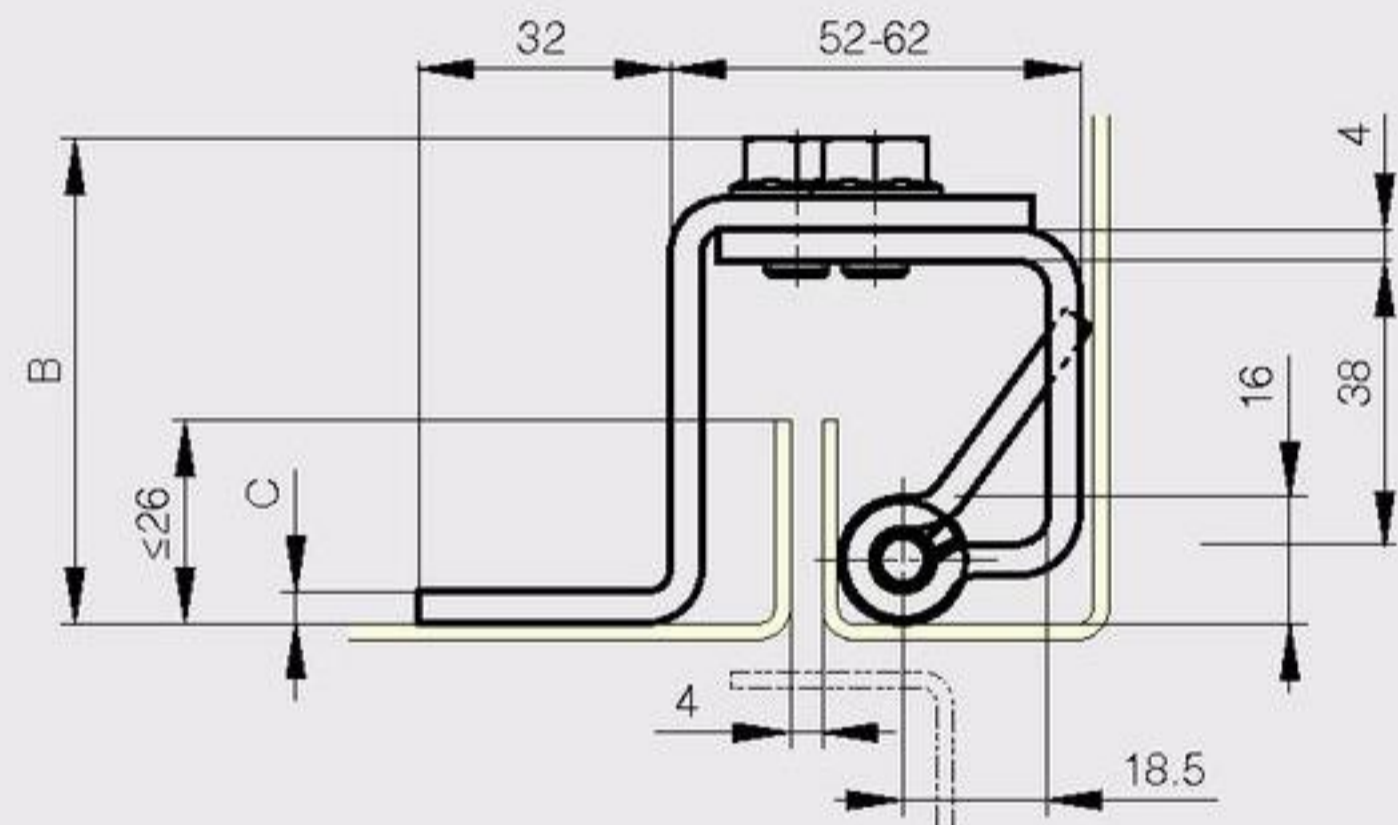
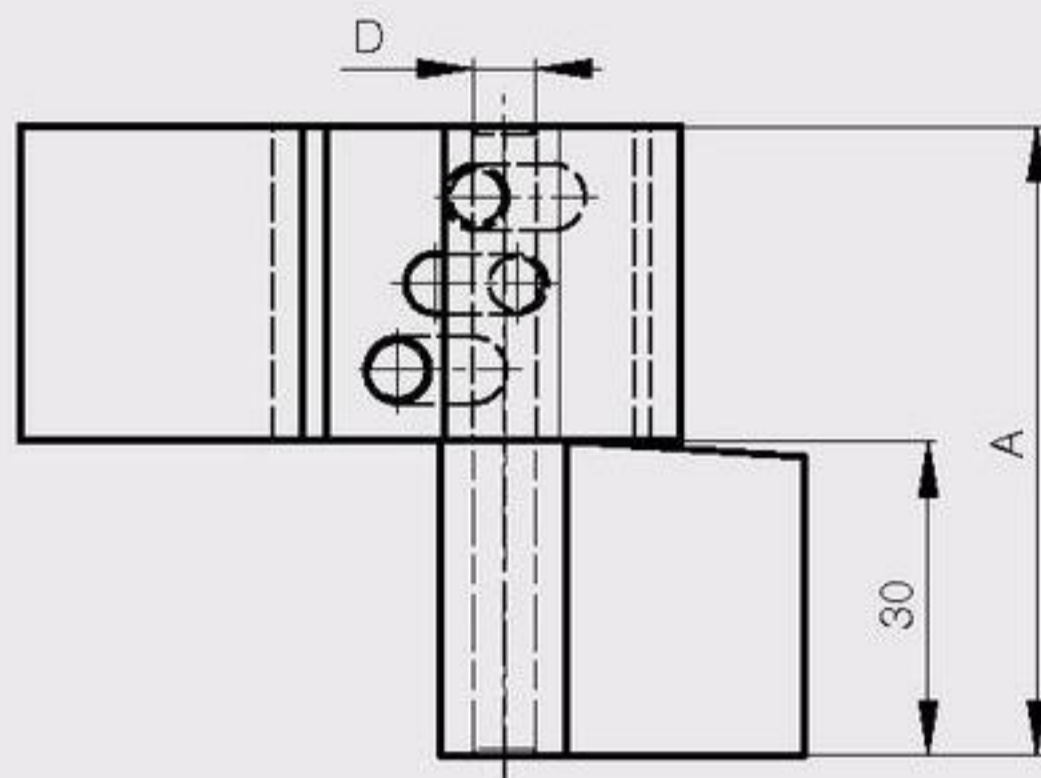


**Concealed heavy duty hinge - for flush doors - 90° opening**

Concealed hinge for LH or RH application.

The 2 main hinge parts have a central guide to prevent door from sagging during adjustment.

A	B	C	D	part number	material	finish	weight
80	62	4	8	85-7-1333	steel	raw / zinc plated	420g
80	62	4	8	85-7-2334	304 stainless steel	raw	420g



**Concealed heavy duty hinge - for flush doors - 90° opening**

Concealed hinge for LH or RH application.

The 2 main hinge parts have a central guide to prevent door from sagging during adjustment.

A	B	C	D	part number	material	finish	weight
80	61	4	8	85-7-1331	steel	raw / zinc plated	412g
80	61	4	8	85-7-2332	304 stainless steel	raw	412g

