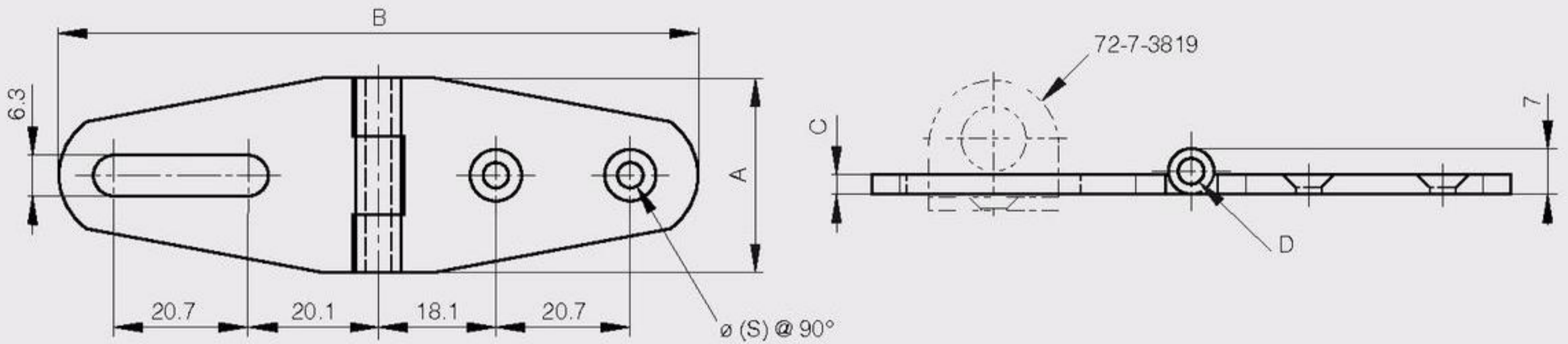


### Brass hasp

304 stainless steel pin  
 Same shape available for hinge 72-7-3725

A	B	C	D	S	part number	material	finish	weight
30	98.5	3	4	4	72-7-3726	brass	chrome plated	55g



### Catch plate for part number 72-7-3726

A	B	C	S	part number	material	finish	weight
35	20	3	4	72-7-3819	brass	chrome plated	16g

